

JVC

SERVICE MANUAL

CD RECEIVER

KD-AR260, KD-G210

Area suffix

J ----- Northern America

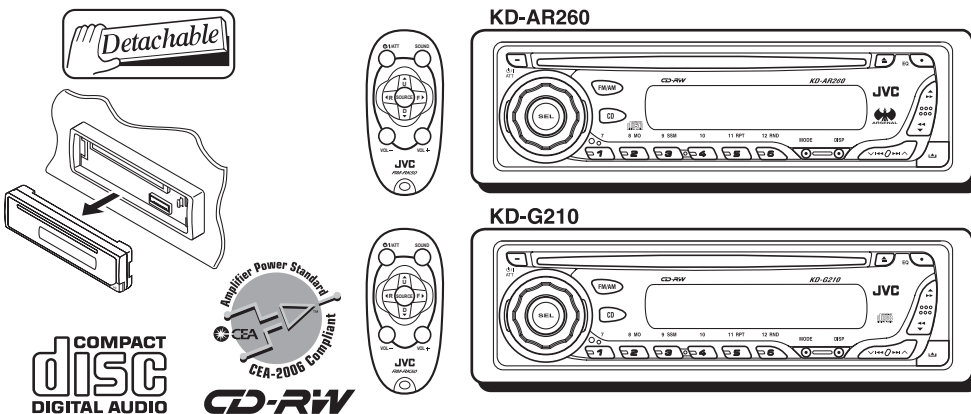


TABLE OF CONTENTS

1	PRECAUTIONS	1-3
2	SPECIFIC SERVICE INSTRUCTIONS	1-5
3	DISASSEMBLY	1-6
4	ADJUSTMENT	1-24
5	TROUBLESHOOTING	1-25


SPECIFICATION


AUDIO AMPLIFIER SECTION		
Power Output		18 W RMS × 4 Channels at 4 Ω and [\leq] 1 % THD + N
Signal to Noise Ratio		80 dBA (reference: 1 W into 4 Ω)
Load Impedance		4 Ω (4 Ω to 8 Ω allowance)
Tone Control Range	Bass	±10 dB at 100 Hz
	Treble	±10 dB at 10 kHz
Frequency Response		40 Hz to 20 000 Hz
Line-Out Level/Impedance		2.5 V/20 kΩ load (full scale)
Output Impedance		1 kΩ
TUNER SECTION		
Frequency Range	FM	87.5 MHz to 107.9 MHz
	AM	530 kHz to 1 710 kHz
FM Tuner	Usable Sensitivity	11.3 dBf (1.0 μV/75 Ω)
	50 dB Quieting Sensitivity	16.3 dBf (1.8 μV/75 Ω)
	Alternate Channel Selectivity (400 kHz)	65 dB
	Frequency Response	40 Hz to 15 000 Hz
	Stereo Separation	35 dB
	Capture Ratio	1.5 dB
AM Tuner	Sensitivity	20 μV
	Selectivity	35 dB
CD PLAYER SECTION		
Type		Compact disc player
Signal Detection System		Non-contact optical pickup (semiconductor laser)
Number of channels		2 channels (stereo)
Frequency Response		5 Hz to 20 000 Hz
Dynamic Range		96 dB
Signal-to-Noise Ratio		98 dB
Wow and Flutter		Less than measurable limit
GENERAL		
Power Requirement	Operating Voltage	DC 14.4 V (11 V to 16 V allowance)
Grounding System		Negative ground
Allowable Operating Temperature		0°C to +40°C (32°F to 104°F)
Dimensions (W × H × D)	Installation Size (approx.)	182 mm × 52 mm × 150 mm (7-3/16" × 2-1/16" × 5-15/16")
	Panel Size (approx.)	188 mm × 58 mm × 11 mm (7-7/16" × 2-5/16" × 7/16")
Mass (approx.)	1.3 kg (2.9 lbs) (excluding accessories)	

Design and specifications are subject to change without notice.

SECTION 1 PRECAUTIONS

1.1 Safety Precautions

 **CAUTION** Burrs formed during molding may be left over on some parts of the chassis. Therefore, pay attention to such burrs in the case of performing repair of this system.

 **CAUTION** Please use enough caution not to see the beam directly or touch it in case of an adjustment or operation check.

1.2 Preventing static electricity

Electrostatic discharge (ESD), which occurs when static electricity stored in the body, fabric, etc. is discharged, can destroy the laser diode in the traverse unit (optical pickup). Take care to prevent this when performing repairs.

1.2.1 Grounding to prevent damage by static electricity

Static electricity in the work area can destroy the optical pickup (laser diode) in devices such as CD players.

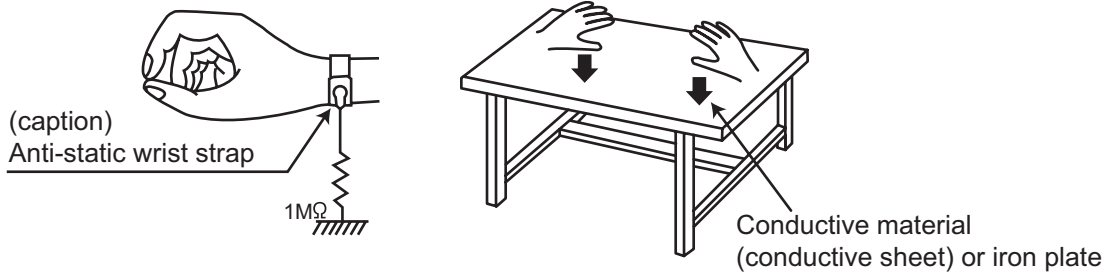
Be careful to use proper grounding in the area where repairs are being performed.

(1) Ground the workbench

Ground the workbench by laying conductive material (such as a conductive sheet) or an iron plate over it before placing the traverse unit (optical pickup) on it.

(2) Ground yourself

Use an anti-static wrist strap to release any static electricity built up in your body.



(3) Handling the optical pickup

- In order to maintain quality during transport and before installation, both sides of the laser diode on the replacement optical pickup are shorted. After replacement, return the shorted parts to their original condition. (Refer to the text.)
- Do not use a tester to check the condition of the laser diode in the optical pickup. The tester's internal power source can easily destroy the laser diode.

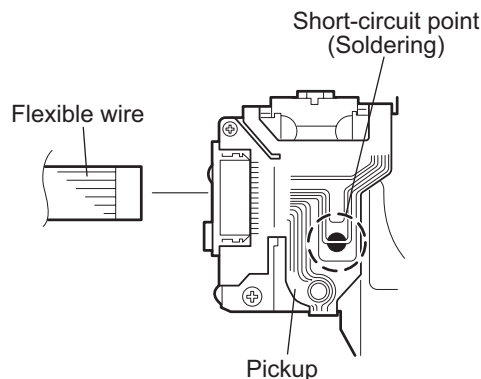
1.3 Handling the traverse unit (optical pickup)

- (1) Do not subject the traverse unit (optical pickup) to strong shocks, as it is a sensitive, complex unit.
- (2) Cut off the shorted part of the flexible cable using nippers, etc. after replacing the optical pickup. For specific details, refer to the replacement procedure in the text. Remove the anti-static pin when replacing the traverse unit. Be careful not to take too long a time when attaching it to the connector.
- (3) Handle the flexible cable carefully as it may break when subjected to strong force.
- (4) It is not possible to adjust the semi-fixed resistor that adjusts the laser power. Do not turn it.

1.4 Attention when traverse unit is decomposed

***Please refer to "Disassembly method" in the text for the CD pickup unit.**

- Apply solder to the short land before the flexible wire is disconnected from the connector on the CD pickup unit. (If the flexible wire is disconnected without applying solder, the CD pickup may be destroyed by static electricity.)
- In the assembly, be sure to remove solder from the short land after connecting the flexible wire.



SECTION 2
SPECIFIC SERVICE INSTRUCTIONS

This service manual does not describe SPECIFIC SERVICE INSTRUCTIONS.

SECTION 3 DISASSEMBLY

3.1 Main body

3.1.1 Removing the front panel assembly (See Fig.1)

- (1) Push the detach button in the lower right part of the front panel assembly and remove the front panel assembly.

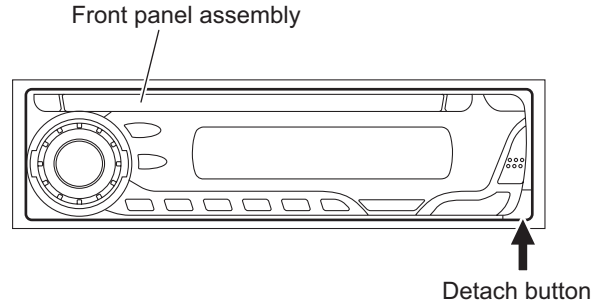


Fig.1

3.1.2 Removing the bottom cover (See Fig.2)

- (1) Turn the main body up side down.
- (2) Insert a screwdriver under the joints to release the two joints **a** on the left side, two joints **b** on the right side and joint **c** on the back side of the main body, then remove the bottom cover from the main body.

CAUTION:

When releasing the joints using a screwdriver, do not damage the main board.

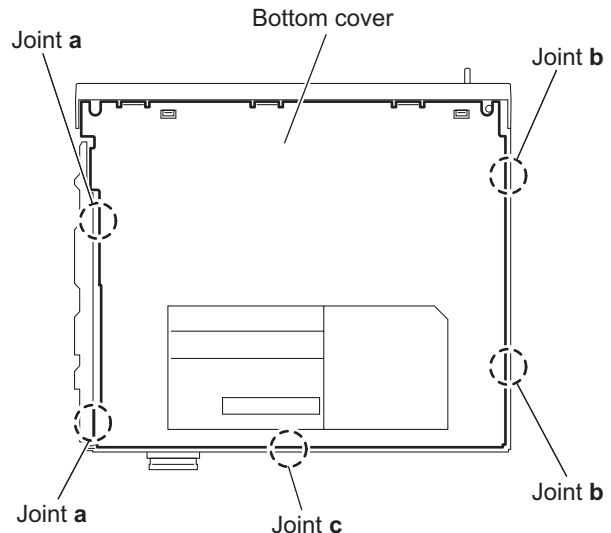


Fig.2

3.1.3 Removing the front chassis assembly (See Fig.3)

- Prior to performing the following procedures, remove the front panel assembly and bottom cover.
- (1) Remove the screw **A** on the both sides of the main body.
 - (2) Release the two joints **d** and two joints **e** on the both sides of the main body, then remove the front chassis assembly toward the front.

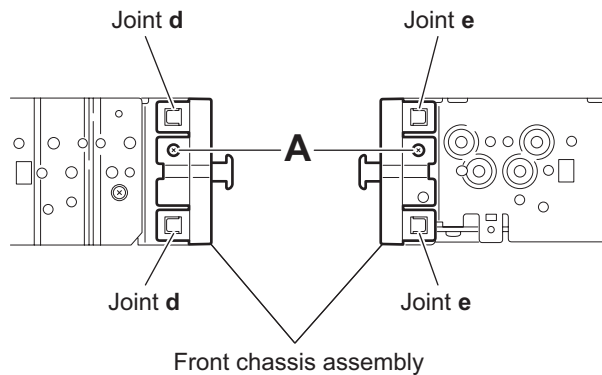


Fig.3

3.1.4 Removing the side panel (See Fig.4)

- Prior to performing the following procedure, remove the front panel assembly as required.
 - (1) Remove the screw **B** and two screws **C** attaching the side panel on the left side of the main body, and remove the side panel.

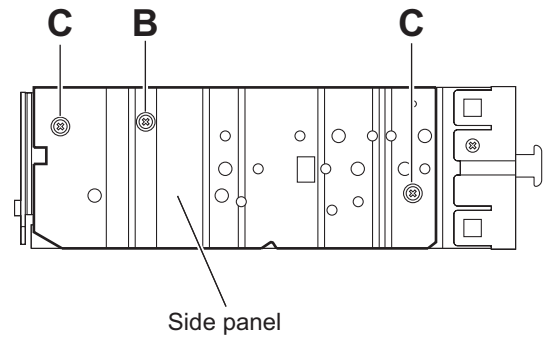


Fig.4

3.1.5 Removing the rear bracket (See Fig.5)

- Prior to performing the following procedure, remove the bottom cover.
 - (1) Remove the three screws **D**, three screws **E** and two screws **F** attaching the rear bracket on the back side of the main body.
 - (2) Remove the rear bracket.

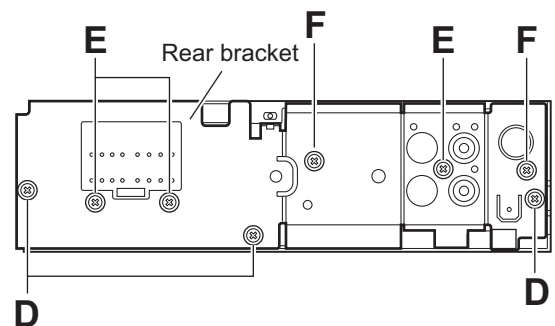


Fig.5

3.1.6 Removing the main board (See Fig.6)

- Prior to performing the following procedure, remove the front panel assembly, front chassis assembly, side panel, bottom cover and rear bracket.
 - (1) Remove the two screws **G** attaching the main board.
 - (2) Disconnect the connector [CN501](#) and remove the main board.

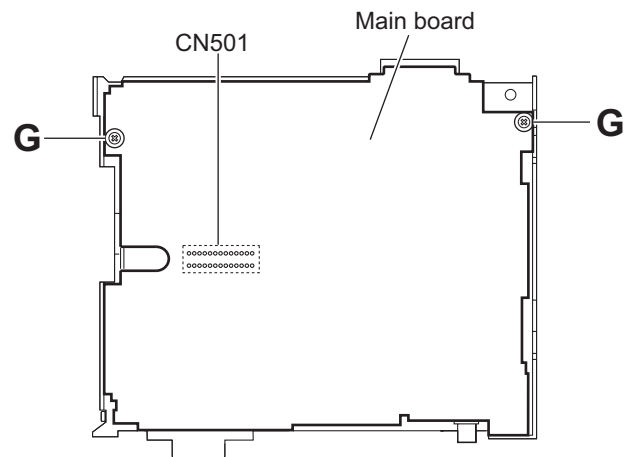


Fig.6

**3.1.7 Removing the CD mechanism assembly
(See Fig. 7)**

- Prior to performing the following procedure, remove the front panel assembly, front chassis assembly, side panel, bottom cover, rear bracket, main board and CD mechanism board.
 - (1) Remove the three screws **H** attaching the top chassis.
 - (2) Take out the CD mechanism assembly.

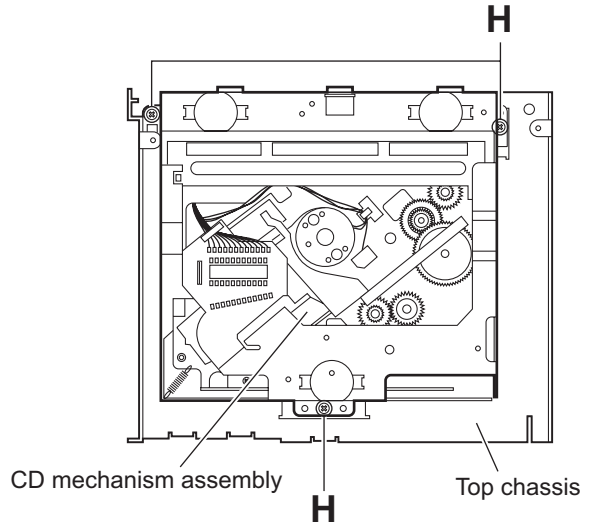


Fig.7

**3.1.8 Removing the front board
(See Figs.8 to 10)**

- Prior to performing the following procedure, remove the front panel assembly.
 - (1) Remove the four screws **J** on the back side of the front panel assembly. (See Fig.8.)
 - (2) Release the ten joints **f**. (See Fig.9.)
 - (3) Release the joint **g** and take out the front board. (See Fig.10.)

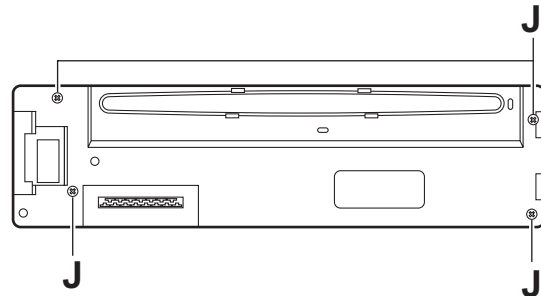


Fig.8

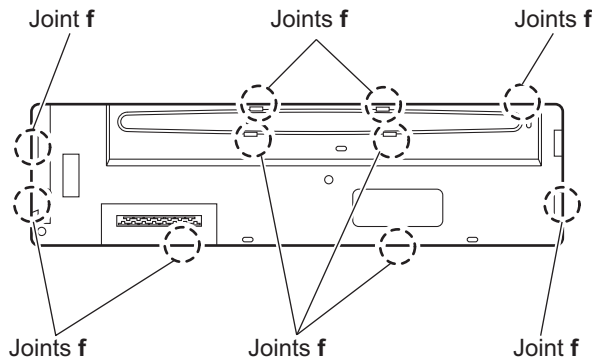


Fig.9

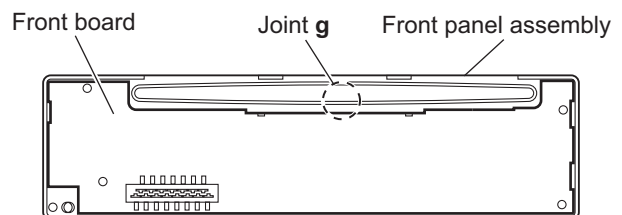


Fig.10

3.2 CD Mechanism Assembly

3.2.1 Removing the top cover (See Figs.1 and 2)

- (1) Remove the two screws **A** on the both side of the body.
- (2) Lift the front side of the top cover and move the top cover backward to release the two joints **a**.

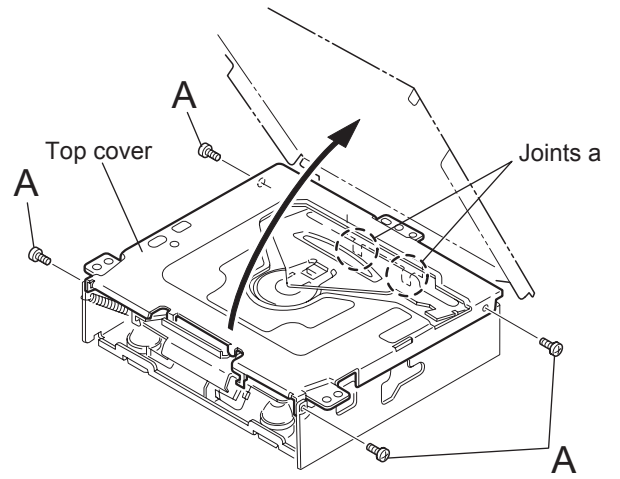


Fig.1

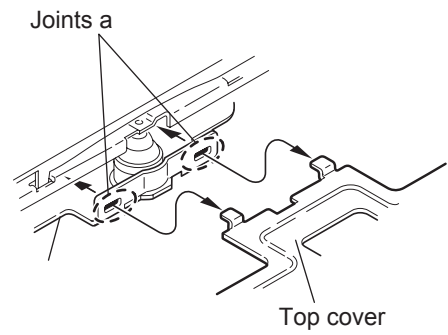


Fig.2

3.2.2 Removing the connector board (See Figs.3 to 5)

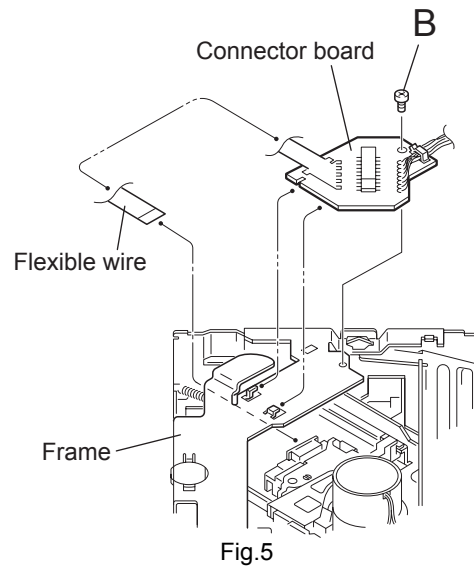
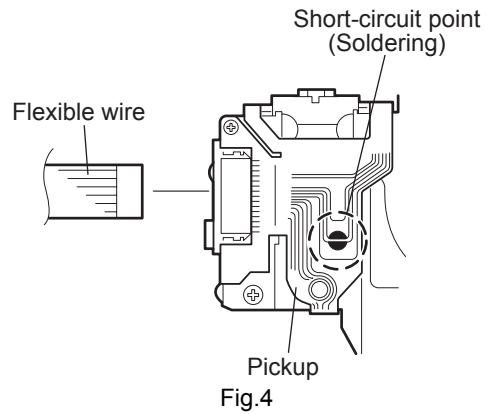
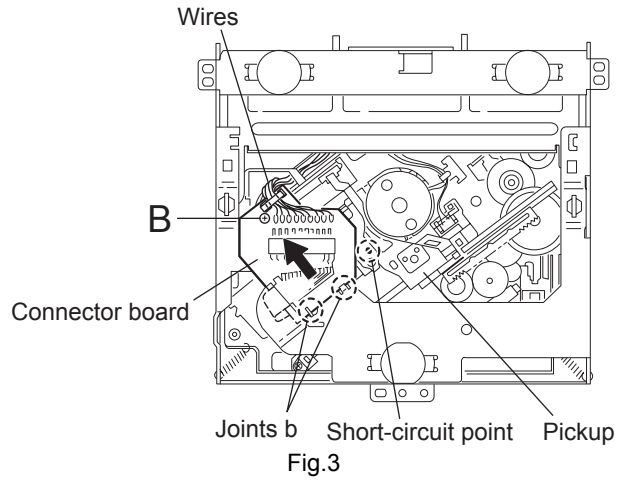
CAUTION:

Before disconnecting the flexible wire from the pickup, solder the short-circuit point on the pickup. No observance of this instruction may cause damage of the pickup.

- (1) Remove the screw **B** fixing the connector board.
- (2) Solder the short-circuit point on the connector board.
- (3) Disconnect the flexible wire from the pickup.
- (4) Move the connector board in the direction of the arrow to release the two joints **b**.
- (5) Unsolder the wire on the connector board if necessary.

CAUTION:

Unsolder the short-circuit point after reassembling.



3.2.3 Removing the DET switch (See Figs.6 and 7)

- (1) Extend the two tabs **c** of the feed sw. holder and pull out the switch.
- (2) Unsolder the DET switch wire if necessary.

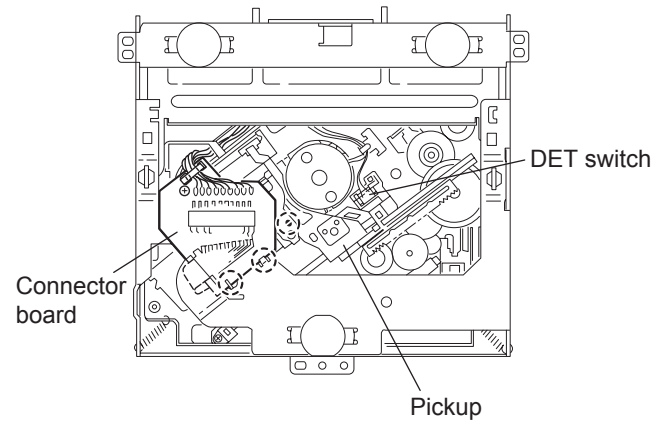


Fig.6

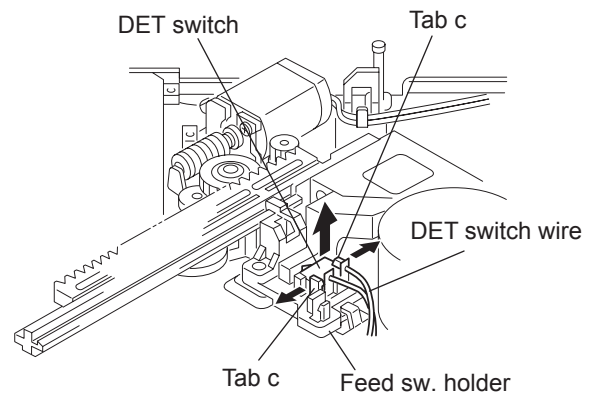


Fig.7

3.2.4 Removing the chassis unit (See Figs.8 and 9)

- Prior to performing the following procedure, remove the top cover and connector board.
(1) Remove the two suspension springs (L) and (R) attaching the chassis unit to the frame.

CAUTION:

- The shape of the suspension spring (L) and (R) are different. Handle them with care.
- When reassembling, make sure that the three shafts on the underside of the chassis unit are inserted to the dampers certainly.

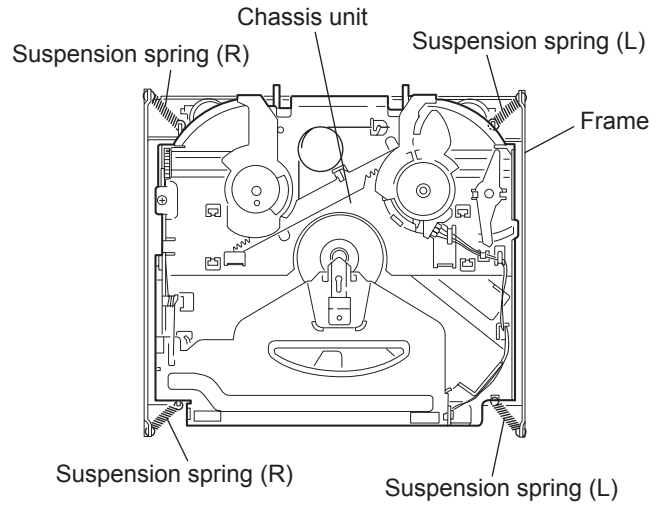


Fig.8

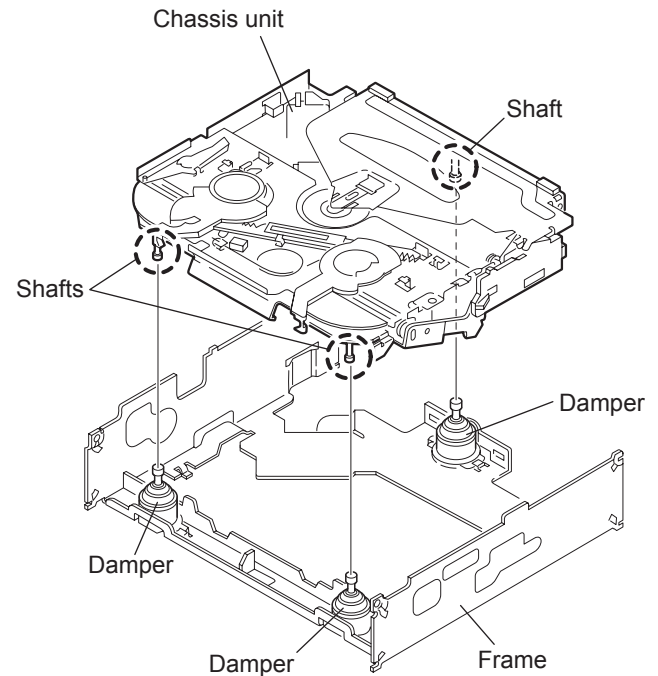
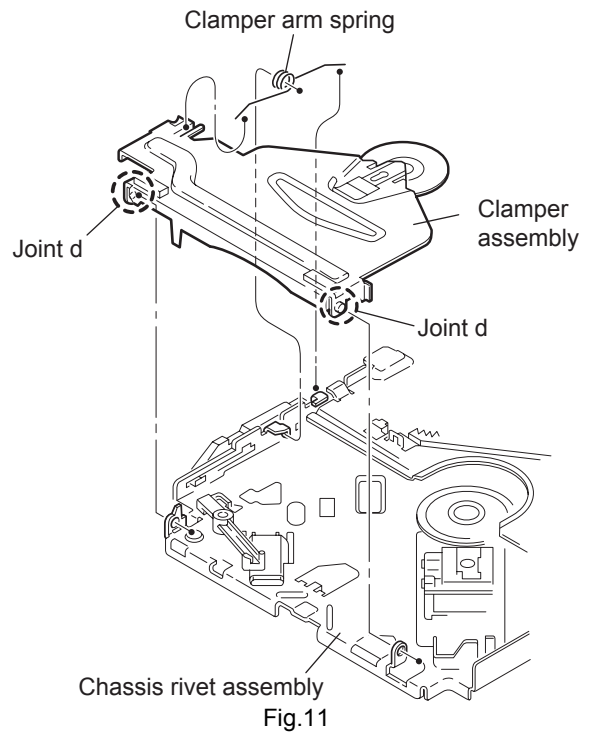
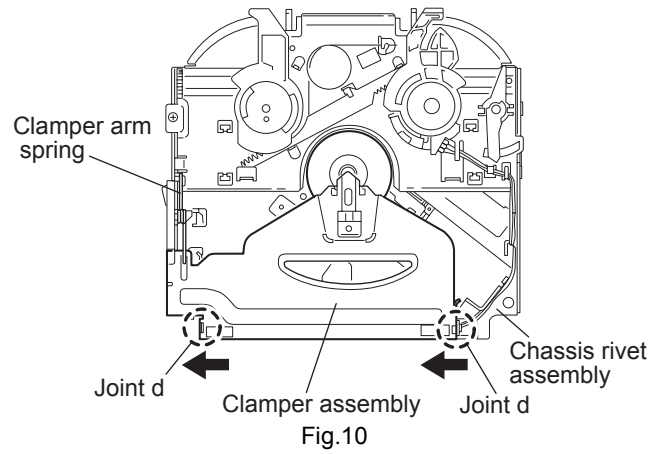


Fig.9

3.2.5 Removing the clamper assembly (See Figs.10 and 11)

- Prior to performing the following procedure, remove the top cover.
 - (1) Remove the clamper arm spring.
 - (2) Move the clamper assembly in the direction of the arrow to release the two joints d.

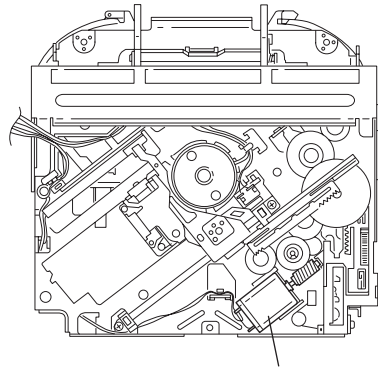


3.2.6 Removing the loading / feed motor assembly (See Figs.12 and 13)

- Prior to performing the following procedure, remove the top cover, connector board and chassis unit.
 - (1) Remove the screw **C** and move the loading / feed motor assembly in the direction of the arrow to remove it from the chassis rivet assembly.
 - (2) Disconnect the wire from the loading / feed motor assembly if necessary.

CAUTION:

When reassembling, connect the wire from the loading / feed motor assembly to the flame as shown in Fig.12.



Loading / feed motor assembly
Fig.12

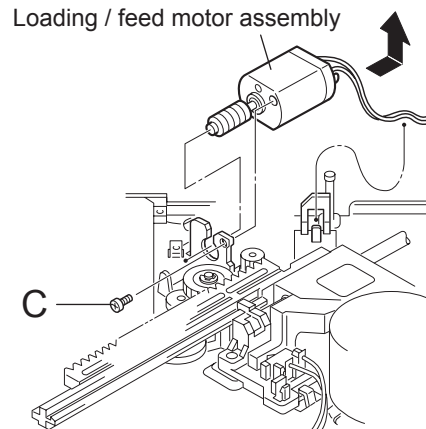


Fig.13

3.2.7 Removing the pickup unit (See Figs.14 to 18)

- Prior to performing the following procedure, remove the top cover, connector board and chassis unit.
 - (1) Remove the screw **D** and pull out the pu. shaft holder from the pu. shaft.
 - (2) Remove the screw **E** attaching the feed sw. holder.
 - (3) Move the part **e** of the pickup unit upward with the pu. shaft and the feed sw. holder, then release the joint **f** of the feed sw. holder in the direction of the arrow. The joint **g** of the pickup unit and the feed rack is released, and the feed sw. holder comes off.
 - (4) Remove the pu. shaft from the pickup unit.
 - (5) Remove the screw **F** attaching the feed rack to the pickup unit.

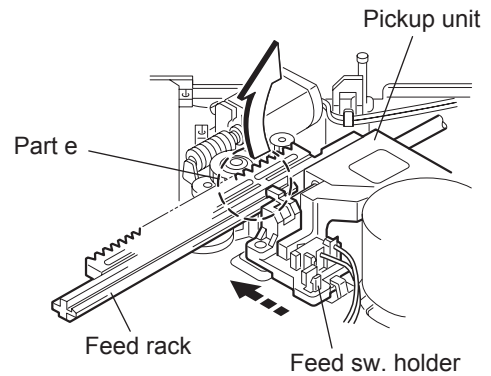


Fig.15

3.2.8 Reattaching the pickup unit (See Figs.14 to 17)

- (1) Reattach the feed rack to the pickup unit using the screw **F**.
- (2) Reattach the feed sw. holder to the feed rack while setting the joint **g** to the slot of the feed rack and setting the part **f** of the feed rack to the switch of the feed sw. holder correctly.
- (3) As the feed sw. holder is temporarily attached to the pickup unit, set to the gear of the joint **g** and to the bending part of the chassis (joint **h**) at a time.

CAUTION:

Make sure that the part **i** on the underside of the feed rack is certainly inserted to the slot **j** of the change lock lever.

- (4) Reattach the feed sw. holder using the screw **E**.
- (5) Reattach the pu. shaft to the pickup unit. Reattach the pu. shaft holder to the pu. shaft using the screw **D**.

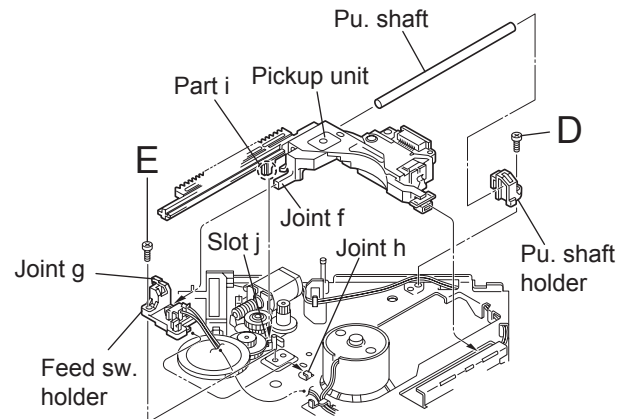


Fig.16

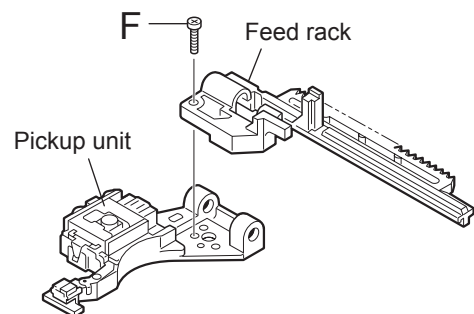


Fig.17

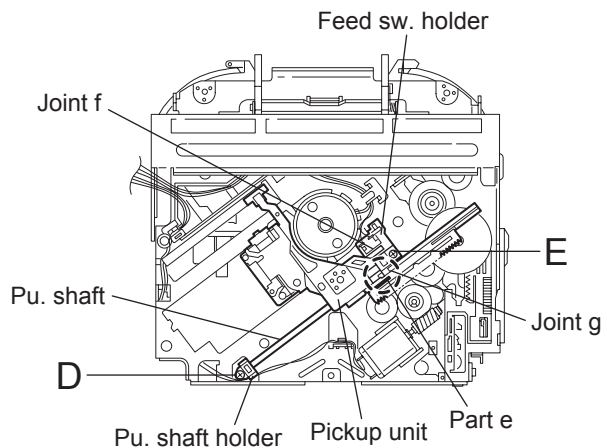


Fig.14

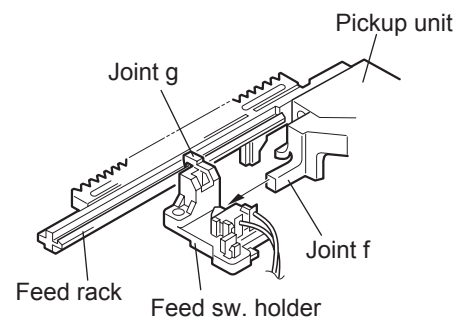


Fig.18

3.2.9 Removing the trigger arm (See Figs.19 and 20)

- Prior to performing the following procedure, remove the top cover, connector board and clamper unit.
 - (1) Turn the trigger arm in the direction of the arrow to release the joint **k** and pull out upward.

CAUTION:

When reassembling, insert the part **m** and **n** of the trigger arm into the part **p** and **q** at the slot of the chassis rivet assembly respectively and join the joint **k** at a time.

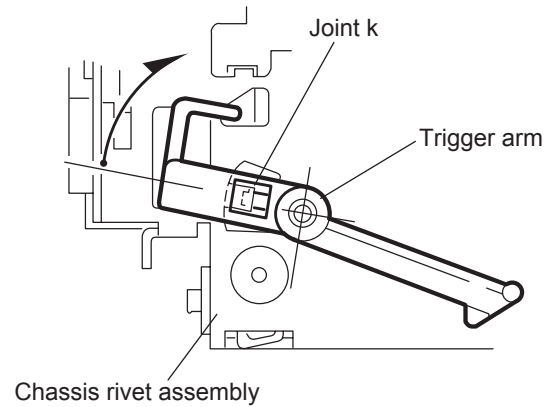


Fig.19

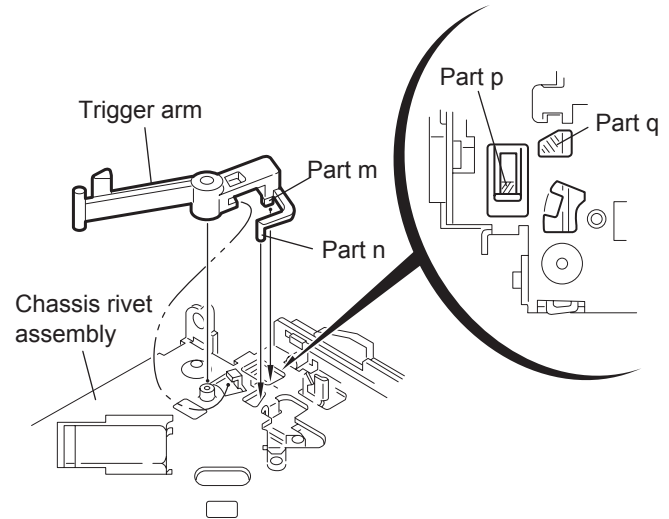


Fig.20

3.2.10 Removing the top plate assembly (See Fig.21)

- Prior to performing the following procedure, remove the top cover, connector board, chassis unit, and clamper assembly.
 - (1) Remove the screw **H**.
 - (2) Move the top plate assembly in the direction of the arrow to release the two joints **r**.
 - (3) Unsolder the wire marked **s** if necessary.

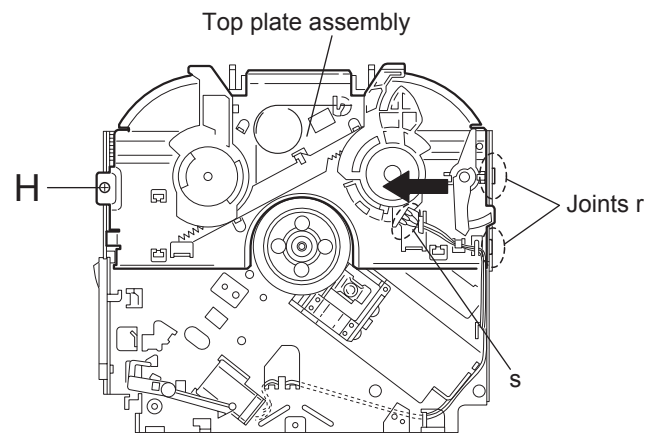


Fig.21

3.2.11 Removing the mode sw. / select lock arm (See Figs.22 and 23)

- Prior to performing the following procedure, remove the top plate assembly.
 - (1) Bring up the mode sw. to release from the link plate (joint t) and turn in the direction of the arrow to release the joint u.
 - (2) Unsolder the wire of the mode sw. marked s if necessary.
 - (3) Turn the select lock arm in the direction of the arrow to release the two joints v.
 - (4) The select lock arm spring comes off the select lock arm at the same time.

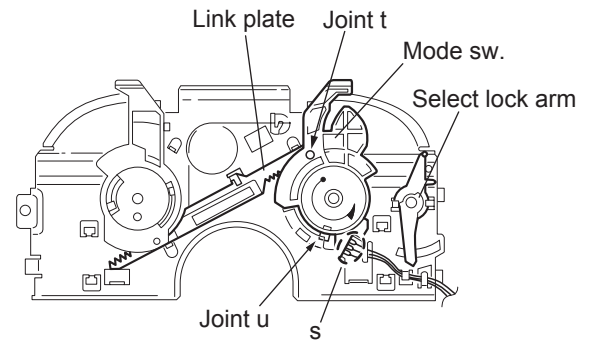


Fig.22

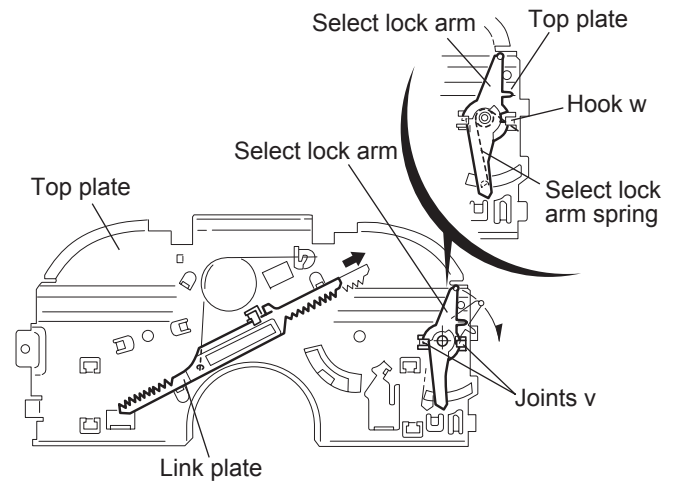


Fig.23

3.2.12 Reassembling the mode sw. / select lock arm (See Figs.24 to 26)

REFERENCE:

Reverse the above removing procedure.

- (1) Reattach the select lock arm spring to the top plate and set the shorter end of the select lock arm spring to the hook w on the top plate.
- (2) Set the other longer end of the select lock arm spring to the boss x on the underside of the select lock arm, and join the select lock arm to the slots (joint v). Turn the select lock arm as shown in the figure.
- (3) Reattach the mode sw. while setting the part t to the first peak of the link plate gear, and join the joint u.

CAUTION:

When reattaching the mode sw., check if the points y and z are correctly fitted and if each part operates properly.

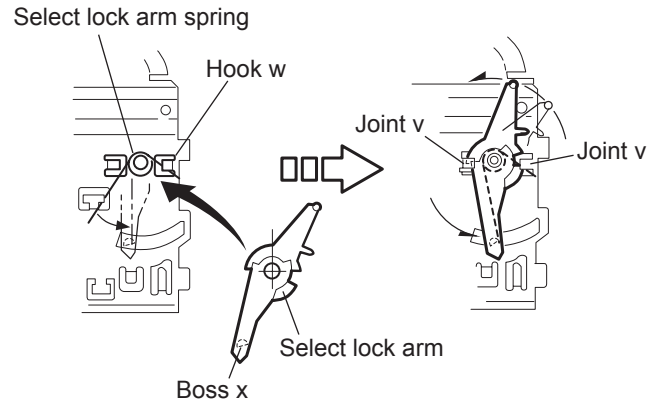


Fig.24

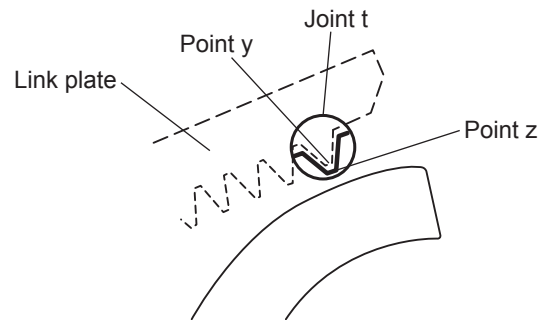


Fig.25

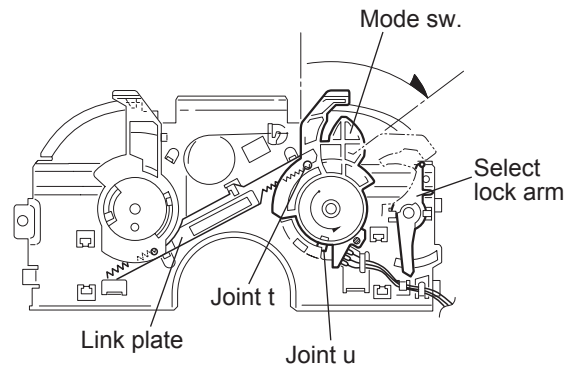


Fig.26

3.2.13 Removing the select arm R / link plate
(See Figs.27 and 28)

- Prior to performing the following procedure, remove the top plate assembly.
 - (1) Bring up the select arm R to release from the link plate (joint a') and turn as shown in the figure to release the two joints b' and joint c'.
 - (2) Move the link plate in the direction of the arrow to release the joint d'. Remove the link plate spring at the same time.

REFERENCE:

Before removing the link plate, remove the mode sw..

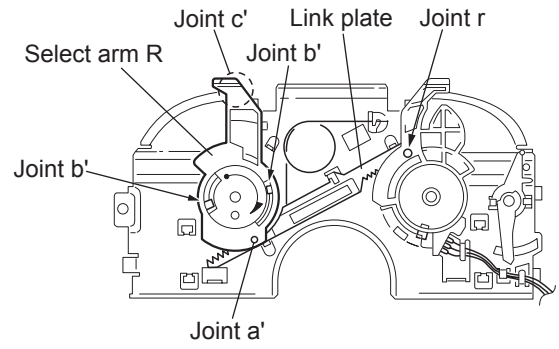


Fig.27

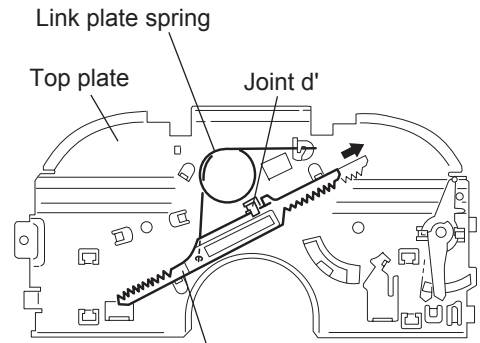


Fig.28

3.2.14 Reattaching the Select arm R / link plate
(See Figs.29 and 30)

REFERENCE:

Reverse the above removing procedure.

- (1) Reattach the link plate spring.
- (2) Reattach the link plate to the link plate spring while joining them at joint d'.
- (3) Reattach the joint a' of the select arm R to the first peak of the link plate while joining the two joints b' with the slots. Then turn the select arm R as shown in the figure. The top plate is joined to the joint c'.

CAUTION:

When reattaching the select arm R, check if the points e' and f' are correctly fitted and if each part operates properly.

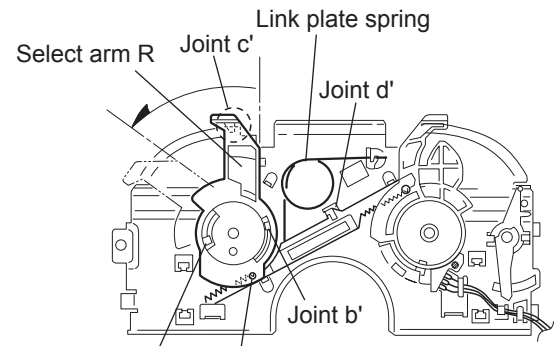


Fig.29

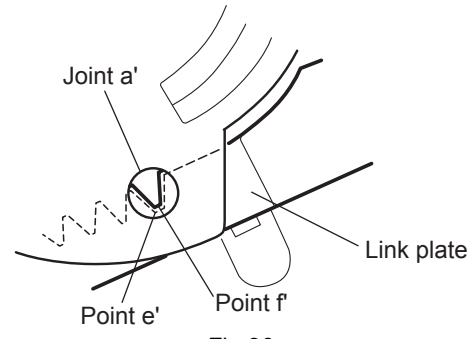


Fig.30

3.2.15 Removing the loading roller assembly (See Figs.31 to 33)

- Prior to performing the following procedure, remove the clamper assembly and top plate assembly.
 - (1) Push inward the loading roller assembly on the gear side and detach it upward from the slot of the joint **g'** of the lock arm rivet assembly.
 - (2) Detach the loading roller assembly from the slot of the joint **h'** of the lock arm rivet assembly.

The roller guide comes off the gear section of the loading roller assembly.

Remove the roller guide and the HL washer from the shaft of the loading roller assembly.

- (3) Remove the screw **J** attaching the lock arm rivet assembly.
- (4) Push the shaft at the joint **i'** of the lock arm rivet assembly inward to release the lock arm rivet assembly from the slot of the **L** side plate.
- (5) Extend the lock arm rivet assembly outward and release the joint **j'** from the boss of the chassis rivet assembly. The roller guide springs on both sides come off at the same time.

CAUTION:

When reassembling, reattach the left and right roller guide springs to the lock arm rivet assembly before reattaching the lock arm rivet assembly to the chassis rivet assembly. Make sure to fit the part **k'** of the roller guide spring inside of the roller guide. (Refer to Fig.34.)

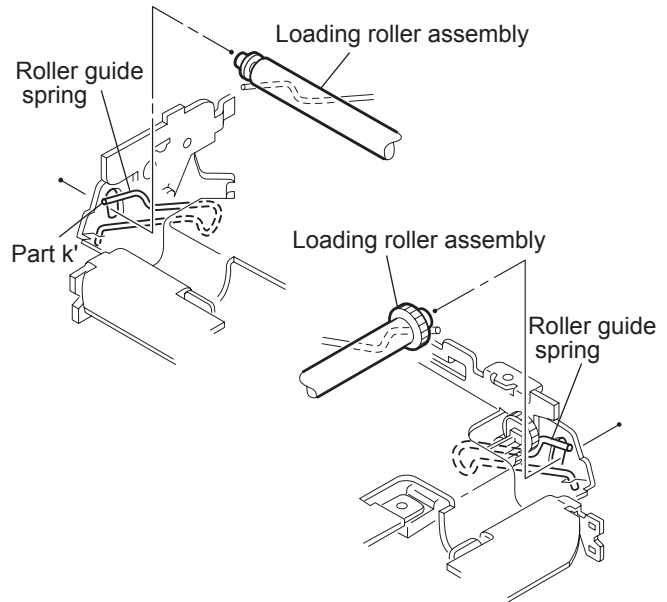


Fig.32

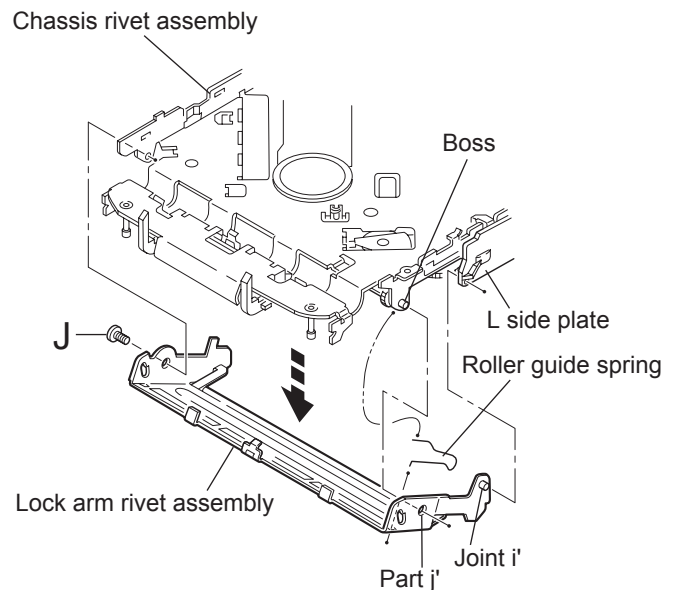


Fig.33

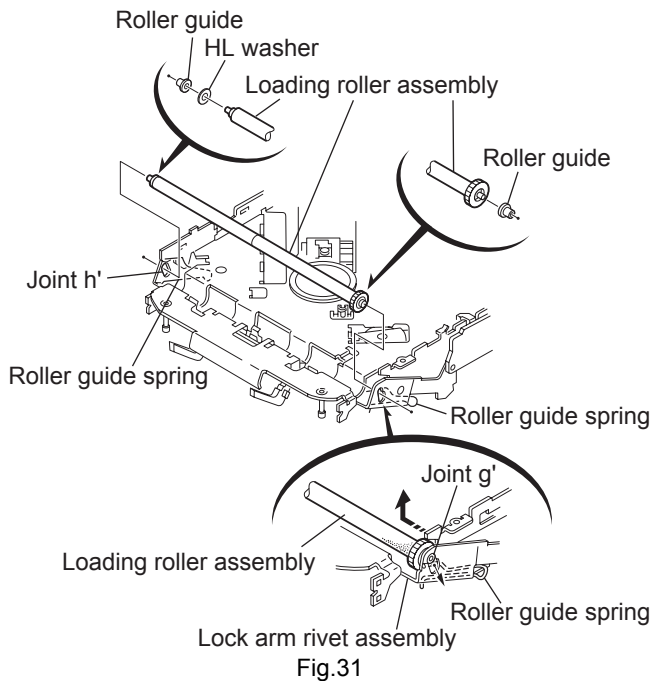


Fig.31

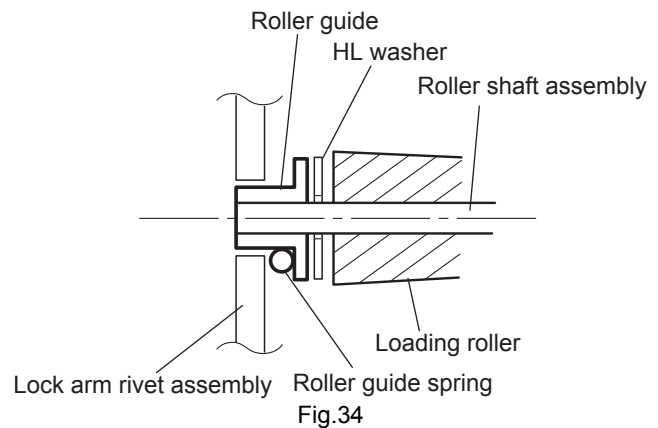


Fig.34

3.2.16 Removing the loading gear 5, 6 and 7 (See Figs.35 and 36)

- Prior to performing the following procedure, remove the top cover, chassis unit, pickup unit and top plate assembly.
 - (1) Remove the screw **K** attaching the loading gear bracket.
The loading gear 6 and 7 come off the loading gear bracket.
 - (2) Pull out the loading gear 5.

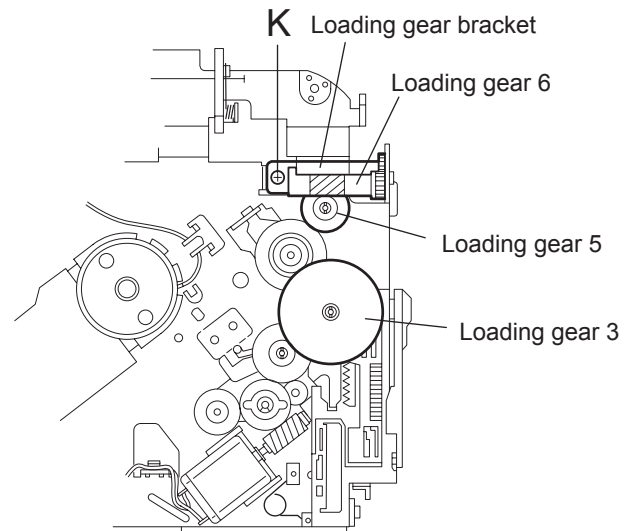


Fig.35

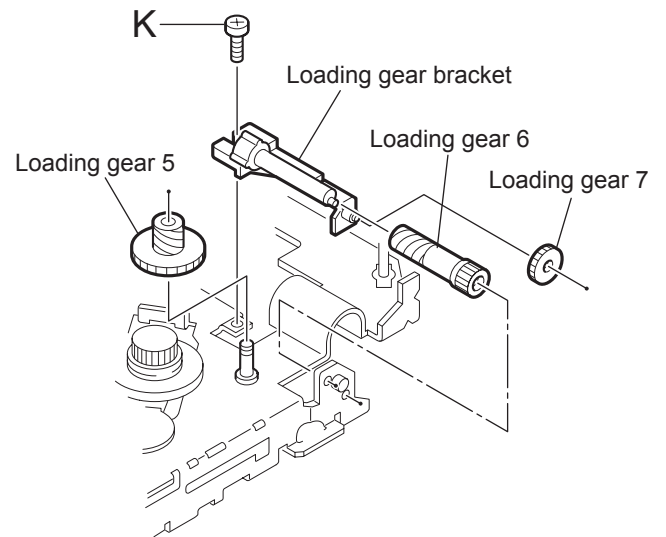


Fig.36

3.2.17 Removing the gears (See Figs.37 to 40)

- Prior to performing the following procedure, remove the top cover, chassis unit, top plate assembly and pickup unit.
- Pull out the loading gear 3. (See Fig.35.)
 - (1) Pull out the feed gear.
 - (2) Move the loading plate assembly in the direction of the arrow to release the L side plate from the two slots m' of the chassis rivet assembly. (See Fig.37.)
 - (3) Detach the loading plate assembly upward from the chassis rivet assembly while releasing the joint n'. Remove the slide hook and loading plate spring from the loading plate assembly.
 - (4) Pull out the loading gear 2 and remove the change lock lever.
 - (5) Remove the E ring and washer attaching the changer gear 2.
 - (6) The changer gear 2, change gear spring and adjusting washer come off.
 - (7) Remove the loading gear 1.
 - (8) Move the change plate rivet assembly in the direction of the arrow to release from the three shafts of the chassis rivet assembly upward. (See Fig.38.)
 - (9) Detach the loading gear plate rivet assembly from the shaft of the chassis rivet assembly upward while releasing the joint p'. (See Figs.38 and 40.)
 - (10) Pull out the loading gear 4.

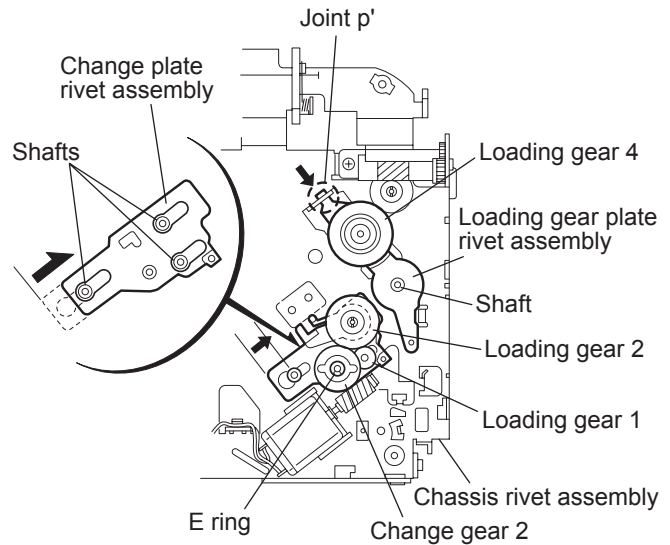
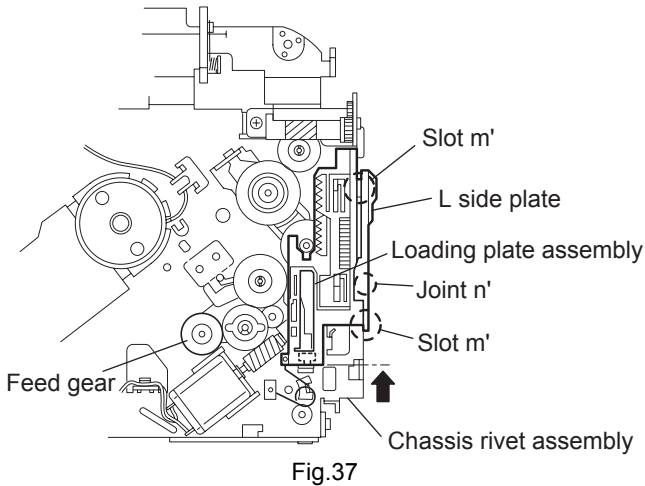


Fig.38

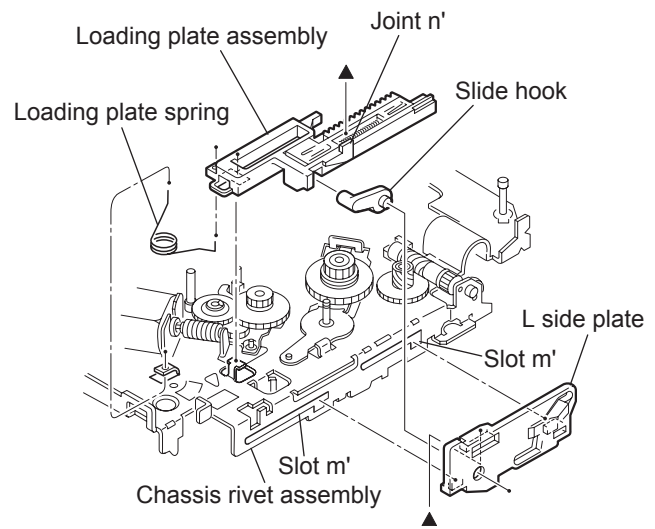


Fig.39

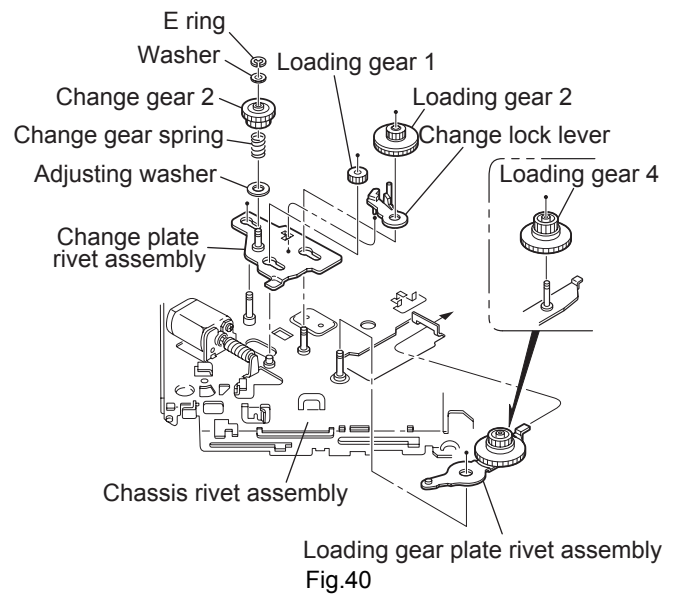
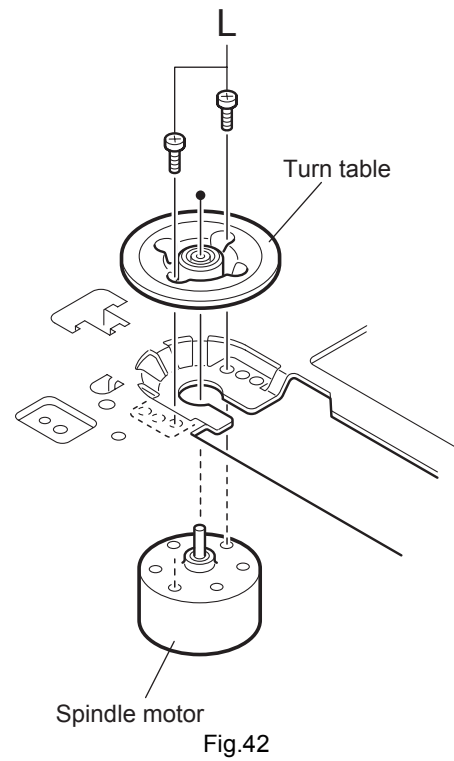
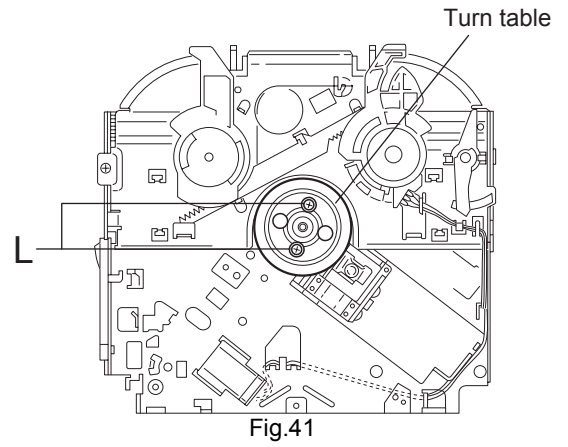


Fig.40

3.2.18 Removing the turn table / spindle motor (See Figs.41 and 42)

- Prior to performing the following procedure, remove the top cover, connector board, chassis unit and clamper assembly.
 - (1) Remove the two screws L attaching the spindle motor assembly through the slot of the turn table on top of the body.
 - (2) Unsolder the wire on the connector board if necessary.



SECTION 4 ADJUSTMENT

4.1 Adjustment method

■ Test instruments required for adjustment

- (1) Digital oscilloscope (100MHz)
- (2) Electric voltmeter
- (3) Digital tester
- (4) Tracking offset meter
- (5) Test Disc JVC :CTS-1000
- (6) Extension cable for check
EXTSH002-22P × 1

■ Standard volume position

Balance and Bass & Treble volume : Indication "0"
Loudness : OFF

■ How to connect the extension cable for adjusting

Caution:

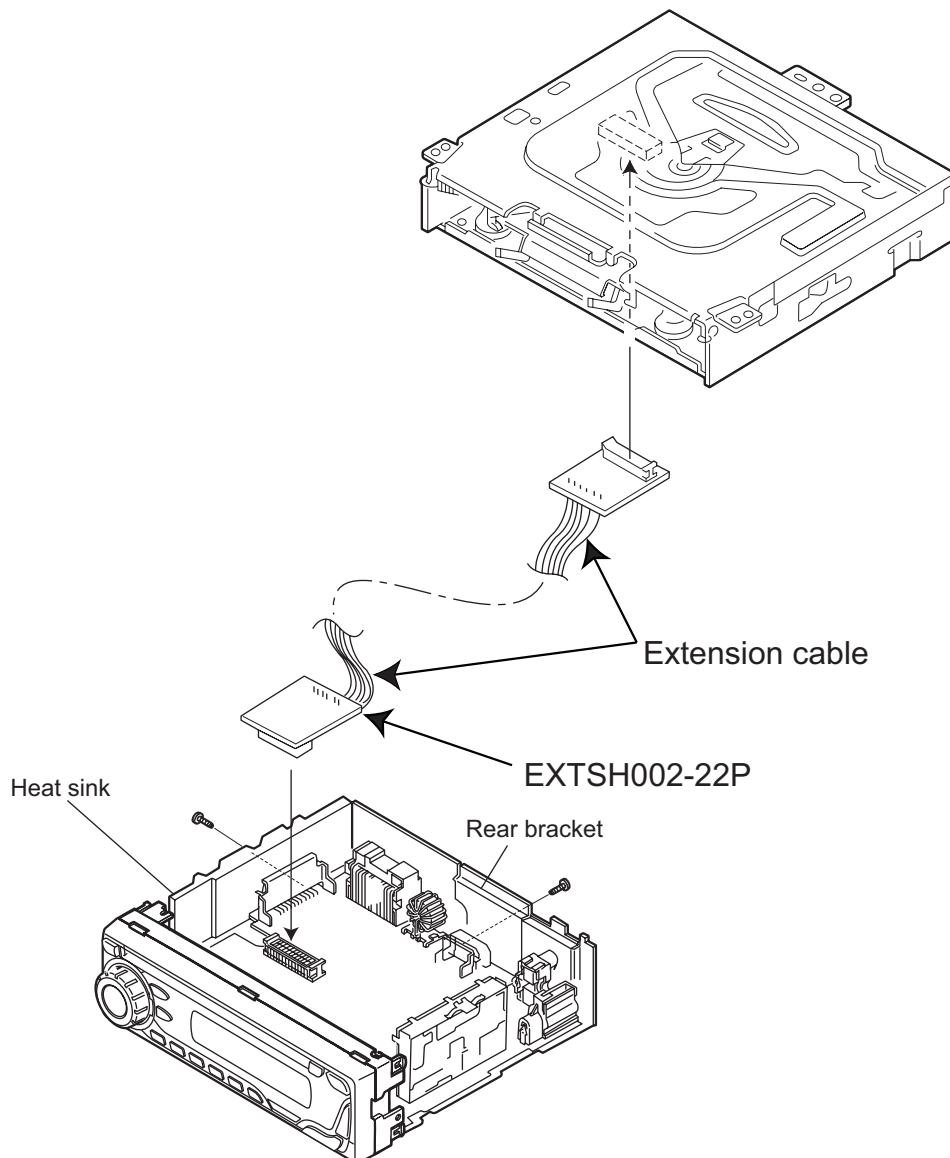
Be sure to attach the heat sink and rear bracket onto the power amplifier IC and regulator IC respectively, before supply the power. If voltage is applied without attaching these parts, the power amplifier IC and regulator IC will be destroyed by heat.

■ Standard measuring conditions

Power supply voltage	DC14.4V(10.5 to 16V)
Load impedance	20K Ω (2 Speakers connection)
Output Level	Line out 2.0V (Vol. MAX)

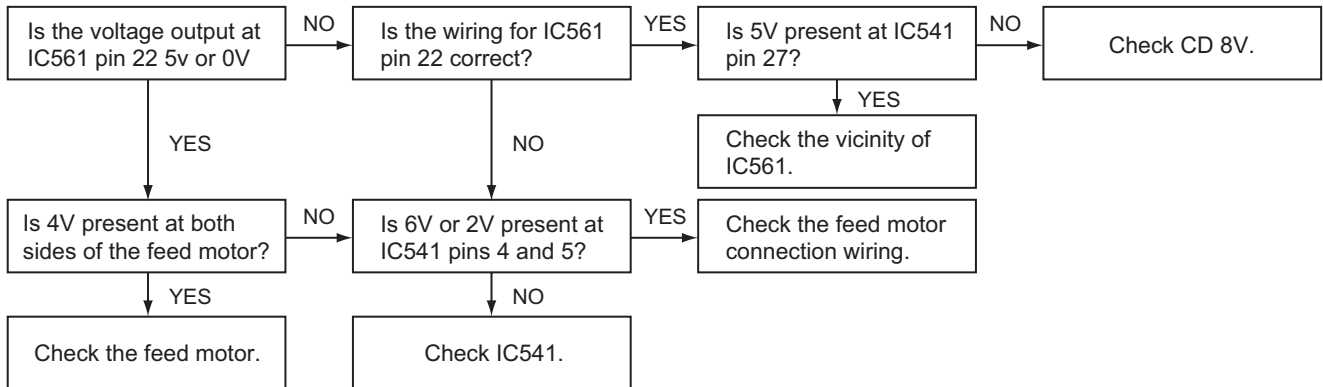
■ Dummy load

Exclusive dummy load should be used for AM, and FM. For FM dummy load, there is a loss of 6dB between SSG output and antenna input. The loss of 6dB need not be considered since direct reading of figures are applied in this working standard.

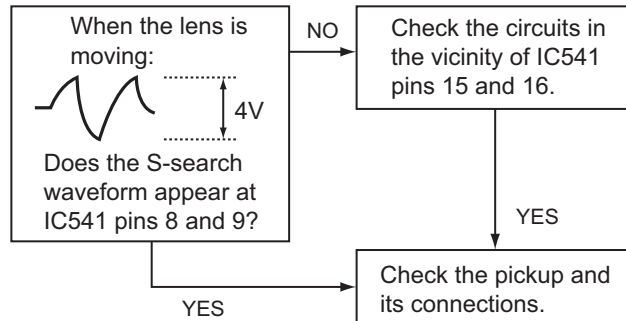


SECTION 5 TROUBLESHOOTING

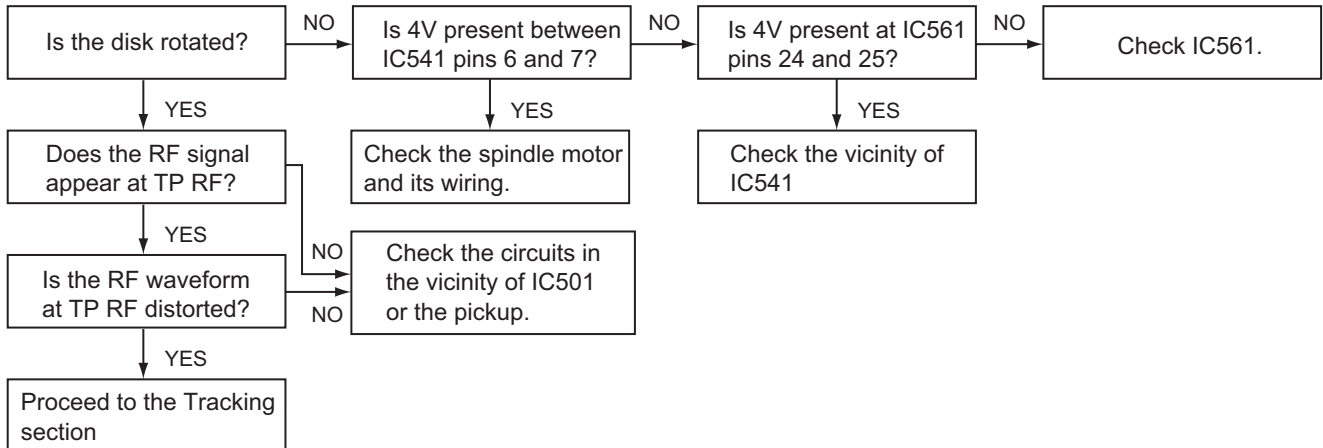
5.1 Feed section



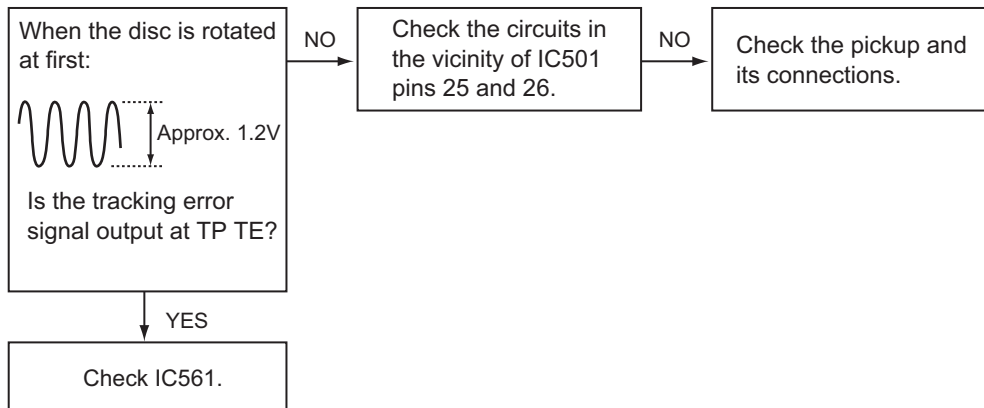
5.2 Focus section



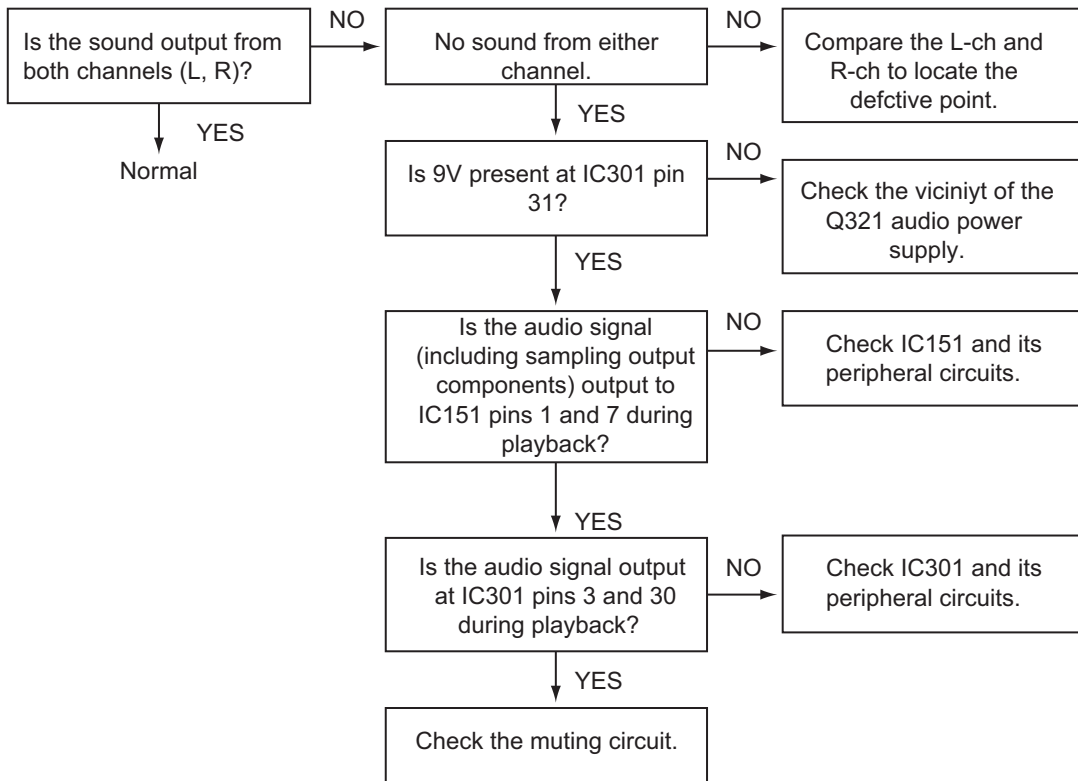
5.3 Spindle section



5.4 Tracking section

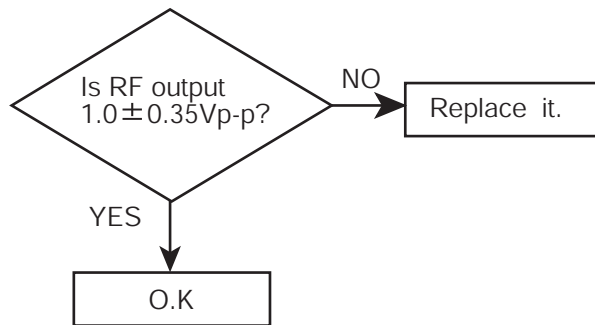


5.5 Signal processing section



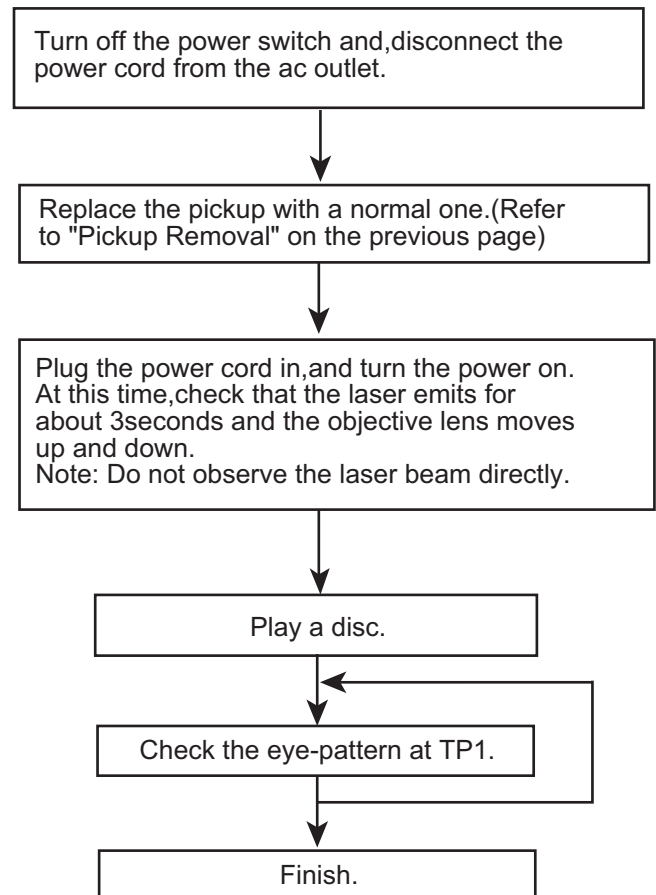
5.6 Maintenance of laser pickup

- (1) Cleaning the pick up lens
Before you replace the pick up, please try to clean the lens with a alcohol soaked cotton swab.
- (2) Life of the laser diode
When the life of the laser diode has expired, the following symptoms will appear.
 - The level of RF output (EFM output: amplitude of eye pattern) will be low.

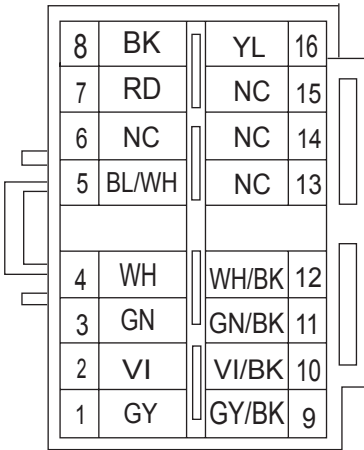


- (3) Semi-fixed resistor on the APC PC board
The semi-fixed resistor on the APC printed circuit board which is attached to the pickup is used to adjust the laser power. Since this adjustment should be performed to match the characteristics of the whole optical block, do not touch the semi-fixed resistor.
If the laser power is lower than the specified value, the laser diode is almost worn out, and the laser pickup should be replaced. If the semi-fixed resistor is adjusted while the pickup is functioning normally, the laser pickup may be damaged due to excessive current.

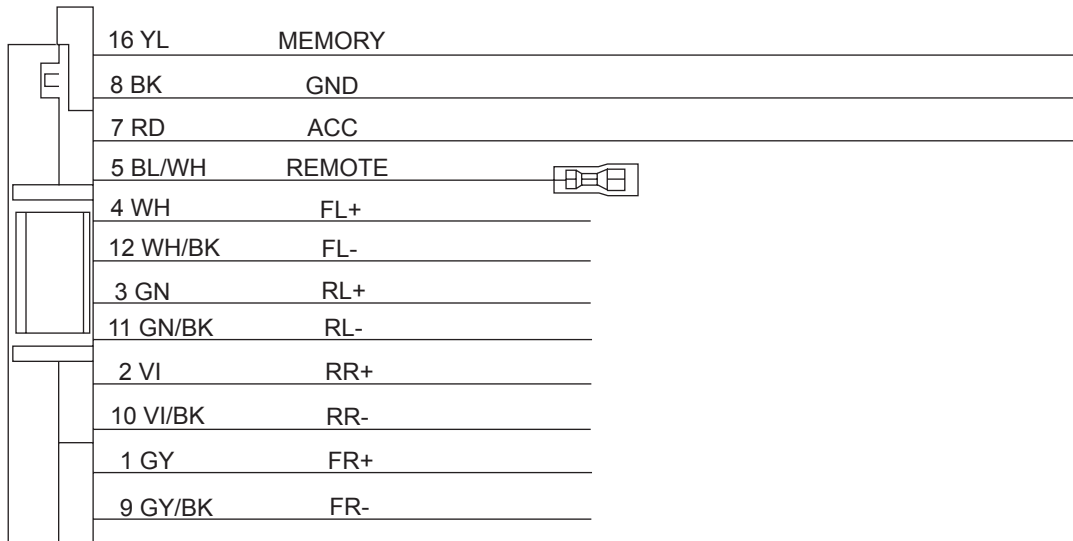
5.7 Replacement of laser pickup



5.8 16 PIN CORD DIAGRAM



BK	Black	GN	Green
RD	Red	VI	Violet
BL	Blue	GY	Gray
WH	White	YL	Yellow



RR	Rear Right	REMOTE	Remote out
FR	Front Right	ACC	ACC Line
FL	Front Left	MEMORY	Memory Backup Battery +
RL	Rear Left	GND	Ground



JVC

Victor Company of Japan, Limited
AV & MULTIMEDIA COMPANY CAR ELECTRONICS CATEGORY 10-1,1chome,Ohwatari-machi,Maebashi-city,371-8543,Japan

(No.MA111)

JVC



CD RECEIVER

KD-AR260/KD-G210

ENGLISH

RECEPTOR CON CD

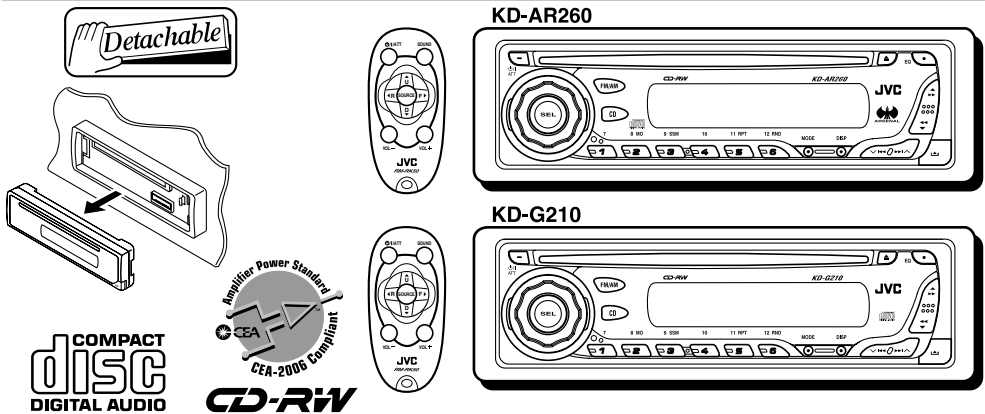
KD-AR260/KD-G210

ESPAÑOL

RECEPTEUR CD

KD-AR260/KD-G210

FRANÇAIS



- This unit is equipped with the display demonstration. To cancel it, see page 8.
- Esta unidad está equipada con demostración en la pantalla. Para cancelarla, consulte la página 8.
- Cet appareil est équipé d'une fonction de démonstration des affichages. Pour l'annuler, référez-vous à la page 8.

For installation and connections, refer to the separate manual.
Para la instalación y las conexiones, refiérase al manual separado.
Pour l'installation et les raccordements, se référer au manuel séparé.

INSTRUCTIONS

MANUAL DE INSTRUCCIONES
MANUEL D'INSTRUCTIONS

For customer Use:
Enter below the Model No. and Serial No. which are located on the top or bottom of the cabinet. Retain this information for future reference.

Model No. _____
Serial No. _____

GET0246-001A

[J]



IMPORTANT POUR PRODUITS LASER

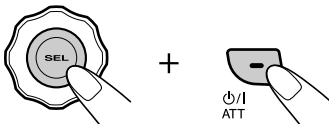
1. PRODUIT LASER CLASSE 1
2. **ATTENTION:** N'ouvrez pas le couvercle supérieur. Il n'y a aucune pièce réparable par l'utilisateur à l'intérieur de l'appareil; confiez toute réparation à un personnel qualifié.
3. **ATTENTION:** Risque de radiations laser visible et invisible quand l'appareil est ouvert et que le système de verrouillage ne fonctionne pas ou a été mis hors service. Évitez toute exposition directe au rayon.

Avertissement:

Si vous souhaitez opérer l'appareil pendant que vous conduisez, assurez-vous de bien regarder devant vous afin de ne pas causer un accident de la circulation.

Comment réinitialiser votre autoradio

Maintenez pressées les deux touches en même temps.



- Cette procédure réinitialise le micro-ordinateur. Vos ajustements pré-réglés sont aussi effacés.
- Si un disque est en place, il est éjecté. Faites attention, dans ce cas, de ne pas le faire tomber.

Comment forcer l'éjection d'un disque

Si un disque ne peut pas être reconnu ou ne peut pas être éjecté par l'autoradio, forcez l'éjection de la façon suivante.

Maintenez pressées les deux touches en même temps.



- Si cela ne fonctionne pas, essayez de réinitialiser l'autoradio.
- Faites attention de ne pas faire tomber le disque quand il est éjecté.

Merci pour avoir acheté un produit JVC. Veuillez lire attentivement toutes les instructions avant d'utiliser l'appareil afin de bien comprendre son fonctionnement et d'obtenir les meilleures performances possibles.

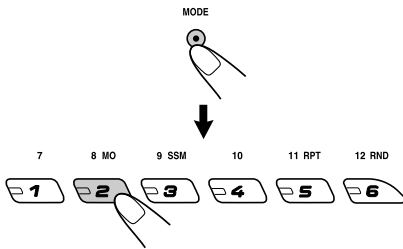
TABLE DES MATIÈRES

Comment réinitialiser votre autoradio	2	Localisation d'une plage ou d'un point particulier sur un CD	15
Comment forcer l'éjection d'un disque	2	Sélection des modes de lecture de CD	15
Comment utiliser la touche MODE	3	Interdiction de l'éjection de CD	16
EMPLACEMENT DES TOUCHES	4	AJUSTEMENT DU SON	17
Panneau de command	4	Sélection des modes sonores pré réglés (C-EQ: égaliseur personnalisé)	17
Télécommande	5	Ajustement du son	18
Préparation de la télécommande	6	AUTRES FONCTIONS PRINCIPALES	19
FONCTIONNEMENT DE BASE	7	Sélection du mode de gradateur	19
Mise sous tension	7	Sélection de la commande de gain de l'amplificateur	19
Annulation de la démonstration des affichages	8	Détachement du panneau de commande ...	20
Réglage de l'horloge	9	DÉPANNAGE	21
FONCTIONNEMENT DE LA RADIO	10	ENTRETIEN	22
Ecoute de la radio	10	Manipulation des disques	22
Mémorisation des stations	12	SPÉCIFICATIONS	23
Accord d'une station présélectionnée	13		
FONCTIONNEMENT DU LECTEUR CD ...	14		
Lecture d'un CD	14		

Comment utiliser la touche MODE

Si vous appuyez sur MODE, l'appareil entre en mode de fonctions et les touches numériques peuvent être utilisées comme touches de fonction.

Ex.: Quand la touche numérique 2 fonctionne comme touche MO (monaural).



Indicateur de durée restante

Pour utiliser de nouveau ces touches comme touches numériques après avoir appuyer sur MODE, attendez 5 secondes sans appuyer sur aucune touche, jusqu'à ce que le mode de fonctions soit annulé.

- Appuyer de nouveau sur MODE annule aussi le mode de fonctions.

AVANT D'UTILISER L'APPAREIL

*Par sécurité....

- *N'augmentez pas trop le volume car cela bloquerait les sons de l'extérieur rendant la conduite dangereuse.*
- *Arrêtez la voiture avant de réaliser toute opération compliquée.*

*Température à l'intérieur de la voiture....

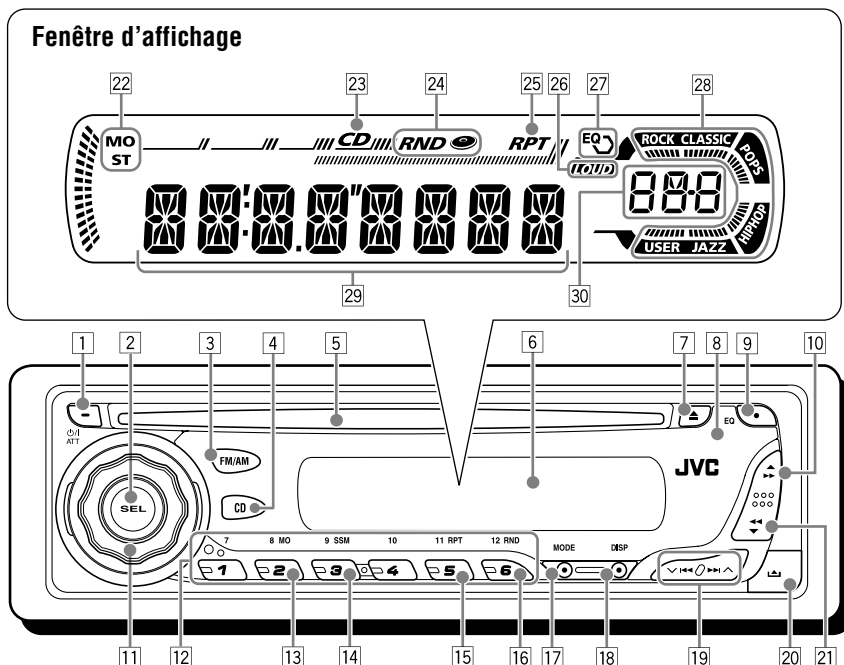
Si votre voiture est restée garée pendant longtemps dans un climat chaud ou froid, attendez que la température à l'intérieur de la voiture redevienne normale avant d'utiliser l'appareil.



EMPLACEMENT DES TOUCHES

Panneau de command

FRANÇAIS



- 1 Touche ϕ /I ATT (attente en service/sourdine)
- 2 Touche SEL (sélection)
- 3 Touche FM/AM
- 4 Touche CD
- 5 La fente d'insertion
- 6 Fenêtre d'affichage
- 7 Touche \blacktriangle (éjection)
- 8 Capteur de télécommande
- 9 Touche EQ (égaliseur)
- 10 Touche \blacktriangle (haut)
Touche \blacktriangleright (avance rapide)
- 11 Molette de commande
- 12 Touches numériques
- 13 Touche MO (monaural)
- 14 Touche SSM (Mémoire automatique des meilleures stations)
- 15 Touche RPT (répétition)
- 16 Touche RND (aléatoire)
- 17 Touche MODE
- 18 Touche DISP (affichage)
- 19 Touches \blacktriangledown \blacktriangleleft \blacktriangleright \blacktriangleup
- 20 Touche \blacktriangleup (débloquer le panneau de commande)

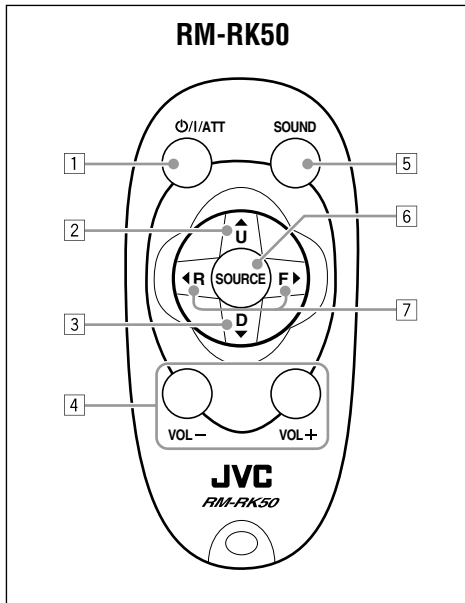
- 21 Touche \blacktriangledown (bas)
Touche \blacktriangleleft (retour rapide)

Fenêtre d'affichage

- 22 Indicateurs de réception du tuner
—MO (monaural), ST (stéréo)
- 23 Indicateur CD
- 24 Indicateur RND (disque aléatoire)
- 25 Indicateur RPT (répétition)
- 26 Indicateur LOUD (contour)
- 27 Indicateur EQ (égaliseur)
- 28 Indicateurs du mode sonore (C-EQ: égaliseur personnalisé)—ROCK, CLASSIC, POPS, HIP HOP, JAZZ, USER
- 29 Affichage principal
- 30 Affichage de la source
Indicateur du niveau de volume



Télécommande



- 1 • Met l'appareil sous tension si vous appuyez sur cette touche quand l'appareil est hors tension.
 - Maintenez pressée jusqu'à ce que "SEE YOU" apparaisse sur l'affichage pour mettre l'appareil hors tension.
 - Appuyez brièvement sur cette touche pour couper le volume momentanément. Appuyez de nouveau le rétablir.
- 2 Choisit la bande lors de l'écoute de la radio. Chaque fois que vous appuyez sur la touche, la bande change.
- 3 Choisit les stations pré-réglées lors de l'écoute de la radio. Chaque fois que vous appuyez sur la touche, le numéro de station pré-réglée augmente et la station choisie est accordée.

- 4 Fonctionne de la même façon que la molette de commande de l'appareil principal.
Remarque: Ces touches ne sont pas utilisées pour ajuster "DEMO", "CLOCK H", "CLOCK M", "DIMMER" et "AMP GAIN" (voir les pages 8, 9 et 19).

- 5 Sélectionne le mode sonore (C-EQ: égaliseur personnalisé).
Chaque fois que vous appuyez sur la touche, le mode sonore (C-EQ) change.
- 6 Sélectionner la source.
Chaque fois que vous appuyez sur la touche, la source change.
- 7 • Recherche des stations en écoutant la radio.
 - Fait défiler rapidement en avant ou en inverse la plage si est maintenue pressée en écoutant le CD.
 - Saute au début de plage suivante ou revient au début des plages courante (ou précédentes) si est brièvement pressée en écoutant le CD.

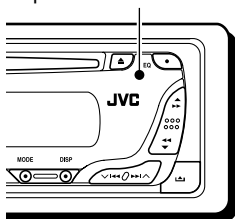


Préparation de la télécommande

Avant d'utiliser la télécommande:

- Pointez la télécommande directement sur le capteur de télécommande de l'appareil principal. Assurez-vous qu'il n'y a pas d'obstacle entre les deux.

Capteur de télécommande



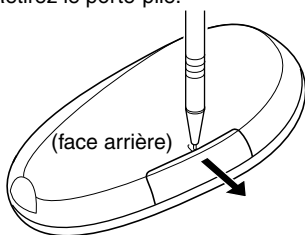
- Ne pas exposer la télécommande à un éclairage puissant (en plein soleil ou un éclairage artificiel).

Mise en place de la pile

Lorsque la portée ou l'efficacité de la télécommande diminue, remplacez la pile.

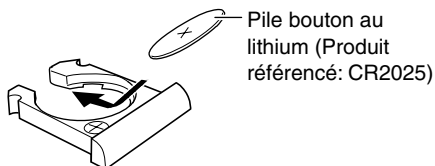
1. Retirez le porte-pile.

- 1) Poussez le porte-pile dans la direction de la flèche en utilisant la pointe d'un stylo-bille ou un objet similaire.
- 2) Retirez le porte-pile.



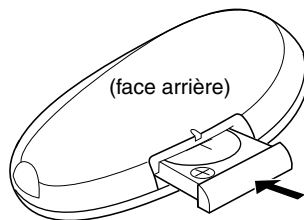
2. Placez la pile.

Insérez la pile dans le porte-pile avec le pôle + dirigé vers le haut de façon que la pile soit bien fixée dans le porte-pile.



3. Remettez le porte-pile en place.

Insérez le porte-pile en le poussant jusqu'à ce que vous entendiez un déclic.

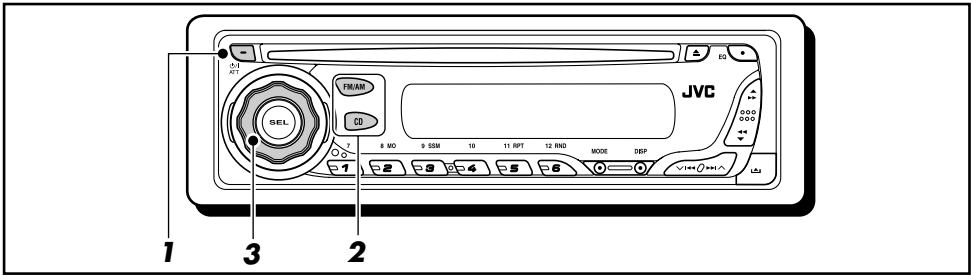


AVERTISSEMENT:

- *Conservez la pile hors de la portée des enfants. Si un enfant venait à avaler une pile, consultez immédiatement un médecin.*
- *Ne rechargez pas, ne court-circuitiez pas, de démontez pas, ne chauffez pas la pile et ne les jetez pas dans le feu. Le faire, pourrait amener la pile à émettre de la chaleur, se fragmenter ou causer un incendie.*
- *Ne mélangez pas la pile avec d'autres objets métalliques. Le faire, pourrait amener la pile à émettre de la chaleur, se fragmenter ou causer un incendie.*
- *Pour vous débarrasser des pile ou les conserver, entourez-les de ruban adhésif et isolez-les. Ne pas le faire, pourrait amener la pile à émettre de la chaleur, se fragmenter ou causer un incendie.*
- *Ne piquez pas la pile avec une broche métallique ou un objet similaire. Le faire, pourrait amener la pile à émettre de la chaleur, se fragmenter ou causer un incendie.*

ATTENTION:

NE LAISSEZ pas la télécommande pendant longtemps dans un endroit exposé aux rayons directs du soleil (tel que le tableau de bord). Sinon, elle risque d'être endommagée.



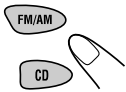
Mise sous tension

1 Mettez l'appareil sous tension.



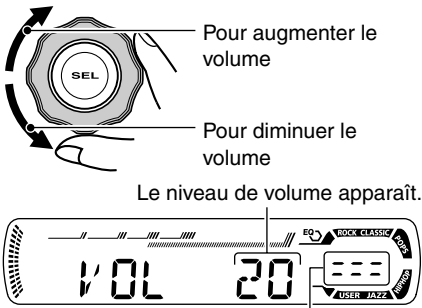
Remarque sur le fonctionnement monotouche:
 Quand vous choisissez la source à l'étape 2 ci-dessous, l'appareil se met automatiquement sous tension. Vous n'avez donc pas besoin d'appuyer d'abord sur cette touche pour mettre l'appareil sous tension.

2 Choisissez la source.



Pour utiliser le tuner (FM ou AM), voir les pages 10 – 13.
 Pour reproduire un CD, voir les pages 14 – 16.

3 Ajustez le volume.



Indicateur du niveau de volume

4 Ajustez le son comme vous le souhaitez. (Voir les pages 17 et 18).

Pour baisser le son instantanément

Appuyez brièvement sur $\phi/1$ ATT pendant l'écoute de n'importe quelle source. "ATT" commence à clignoter sur l'affichage, et le niveau de volume est baissé instantanément. Pour revenir au niveau de volume précédent, appuyez de nouveau brièvement sur la touche.

- Si vous tournez la molette de commande, vous pouvez aussi rétablir le son.

Pour mettre l'appareil hors tension

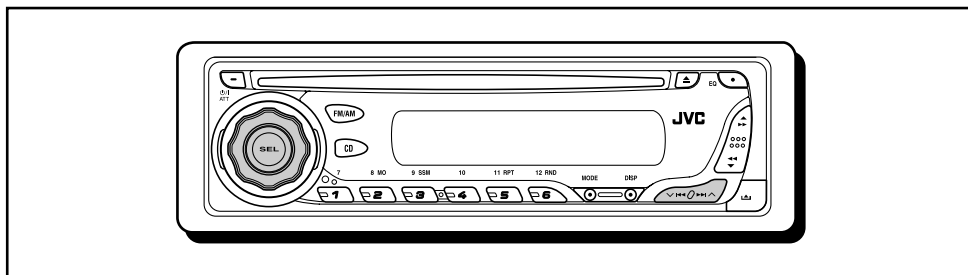
Maintenez pressée $\phi/1$ ATT pendant plus d'une seconde. "SEE YOU" apparaît et l'appareil se met hors tension.

- **Si vous mettez l'appareil hors tension lors de l'écoute d'un CD**, la lecture du CD débutera à partir de l'endroit où elle a été interrompue la prochaine fois que vous mettez l'appareil sous tension.

PRECAUTION sur le réglage du volume:

Les CD produisent très peu de bruit comparé avec les autres sources. Si le niveau de volume est ajusté, par exemple, pour le tuner, les enceintes risquent d'être endommagées par l'augmentation soudaine du niveau de sortie.

Par conséquent, diminuez le volume avant de reproduire un CD et ajustez-le comme vous le souhaitez pendant la lecture.



Annulation de la démonstration des affichages

À l'expédition de l'usine, la démonstration est en service et celle-ci démarre automatiquement quand aucune opération n'est effectuée pendant environ 20 secondes.

- Il est recommandé d'annuler la démonstration des affichages avant d'utiliser l'appareil pour la première fois.

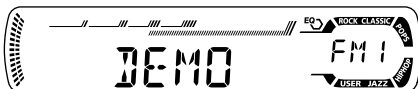
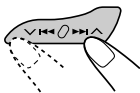
Pour annuler la démonstration des affichages, suivez la procédure ci-dessous:

1 Maintenez pressée SEL (sélection) pendant plus de 2 secondes.

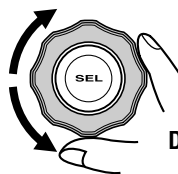
"DEMO", "CLOCK H", "CLOCK M", "DIMMER", ou "AMP GAIN" apparaît sur l'affichage.



2 Choisissez "DEMO" s'il n'apparaît pas sur l'affichage.



3 Choisissez "DEMO OFF".



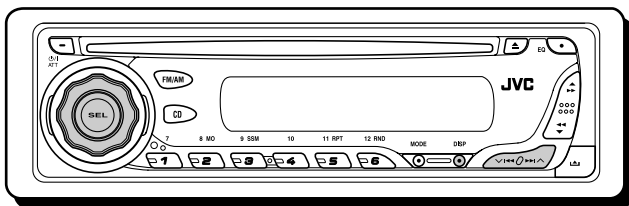
DEMO OFF ↔ DEMO ON



4 Terminez le réglage.



Pour mettre en service la démonstration des affichages, répétez la même procédure et choisissez "DEMO ON" à l'étape 3.



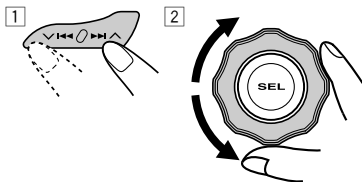
Réglage de l'horloge

- 1** Maintenez pressée SEL (sélection) pendant plus de 2 secondes. "DEMO", "CLOCK H", "CLOCK M", "DIMMER", ou "AMP GAIN" apparaît sur l'affichage.



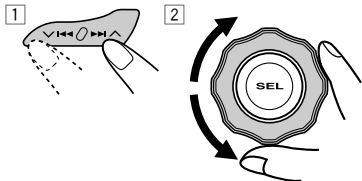
2 Réglez les heures.

- 1 Choisissez "CLOCK H" (heures) s'il n'apparaît pas sur l'affichage.
- 2 Ajustez les heures.



3 Réglez les minutes.

- 1 Choisissez "CLOCK M" (minutes).
- 2 Ajustez les minutes.



4 Terminez le réglage.



Pour vérifier l'heure actuelle ou changer le mode d'affichage



Appuyez sur DISP (affichage) répétitivement.

Chaque fois que vous appuyez sur la touche, le mode d'affichage change comme suit:

- Pendant l'utilisation du tuner:

Fréquence ↔ Horloge

- Pendant l'utilisation du CD:

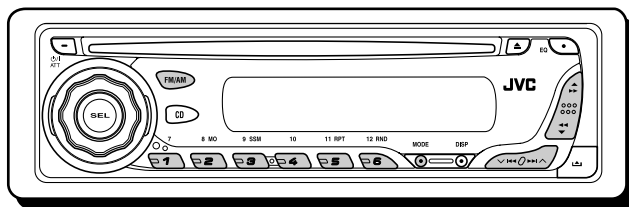
Durée de lecture écoulee ↔ Horloge

- Quand l'appareil est hors tension:

L'appareil se met sous tension et l'horloge apparaît pendant 5 secondes. Puis, l'appareil se remet hors tension.



FUNCTIONNEMENT DE LA RADIO



FRANÇAIS

Ecoute de la radio

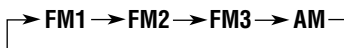
Vous pouvez utiliser la recherche automatique ou l'accord manuel pour accorder une station particulière.

Recherche d'une station automatiquement: Recherche automatique

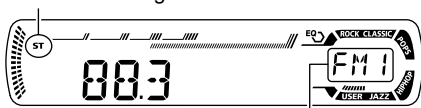
1 Choisissez la bande (FM1 – 3, AM).



Chaque fois que vous appuyez sur la touche, la bande change comme suit:



S'allume lors de la réception d'une émission FM stéréo de signal suffisamment fort.



La bande choisie apparaît.

Remarque:

Cet appareil a trois bandes FM (FM1, FM2, FM3). Vous pouvez utiliser n'importe laquelle pour écouter une station FM.

2 Commencez la recherche d'une station.



Pour rechercher des stations de fréquences supérieures

Pour rechercher des stations de fréquences inférieures

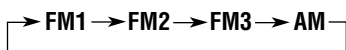
Quand une station est accordée, la recherche s'arrête.

Pour arrêter la recherche avant qu'une station ne soit accordée, appuyez sur la même touche que vous avez utilisée pour la recherche.

Recherche manuelle d'une station: Recherche manuelle

1 Choisissez la bande (FM1 – 3, AM).

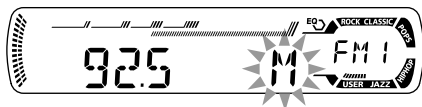
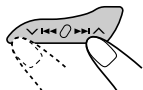
Chaque fois que vous appuyez sur la touche, la bande change comme suit:



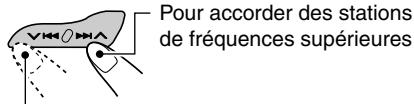
Remarque:

Cet appareil a trois bandes FM (FM1, FM2, FM3). Vous pouvez utiliser n'importe laquelle pour écouter une station FM.

2 Maintenez pressée ►►► ▲ ou ▼ ◄◄◄ jusqu'à ce que "M" (manuel) clignote sur l'affichage.



3 Accordez une station souhaitée pendant que "M" (manuel) clignote.



Pour accorder des stations de fréquences supérieures

Pour accorder des stations de fréquences inférieures

- Si vous relâchez la touche, le mode manuel est mis automatiquement hors service après 5 secondes.
- Si vous maintenez la touche pressée, la fréquence continue de changer (par intervalle de 200 kHz pour la bande FM et par intervalle de 10 kHz pour la bande AM) jusqu'à ce que vous la relâchiez.

Quand une émission FM stéréo est difficile à recevoir:

MODE



- 1 Appuyez sur MODE pour entrer en mode de fonction pendant l'écoute d'une station FM.

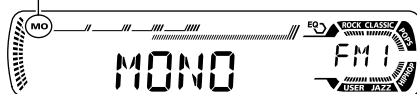
8 MO



- 2 Appuyez sur MO (monaural) pendant que "MODE" clignote sur l'affichage, de façon que "MONO" apparaisse sur l'affichage.

Chaque fois que vous appuyez sur la touche, le mode monaural se met alternativement en et hors service.

Indicateur MO (monaural)



Lorsque l'indicateur MO est allumé sur l'affichage, le son que vous entendez est monaural mais la réception est améliorée.



Mémorisation des stations

Vous pouvez utiliser l'une des deux méthodes suivantes pour mémoriser les stations reçues.

- Présélection automatique des stations FM: SSM (Mémorisation automatique des meilleures stations)
- Présélection manuelle des stations FM et AM

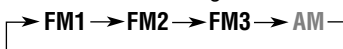
Présélection automatique des stations FM: SSM

Vous pouvez présélectionner 6 stations locales dans chaque bande FM (FM1, FM2 et FM3).

1 Choisissez le numéro de la bande FM (FM1 – 3, AM) où vous souhaitez mémoriser la station.



Chaque fois que vous appuyez sur la touche, la bande change comme suit:



2 Appuyez sur MODE pour entrer en mode de fonction.

MODE



3 Maintenez pressée SSM pendant environ 2 secondes.

9 SSM



“SSM” clignote, puis disparaît quand le pré réglage automatique est terminé.

Les stations locales FM avec les signaux les plus forts sont recherchées et mémorisées automatiquement dans le numéro de bande que vous avez choisi (FM1, FM2 ou FM3). Ces stations sont mémorisées sur les touches de présélection de station—No.1 (fréquence la plus basse) à No.6 (fréquence la plus haute). Quand la présélection est terminée, la station mémorisée automatiquement sur la touche de présélection de station 1 est accordée automatiquement.

Présélection manuelle

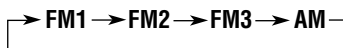
Vous pouvez présélectionner manuellement un maximum de 6 stations pour chaque bande (FM1, FM2, FM3 et AM).

Ex.: Mémorisation de la station FM située à 92,5 MHz sur le numéro de présélection 1 de la bande FM1.

1 Choisissez le numéro de la bande (FM1 – 3, AM) où vous souhaitez mémoriser la station (dans cet exemple, FM1).



Chaque fois que vous appuyez sur la touche, la bande change comme suit:

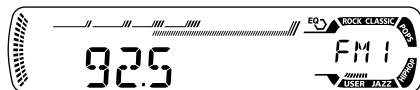


2 Accordez une station (dans cet exemple à 92,5 MHz).

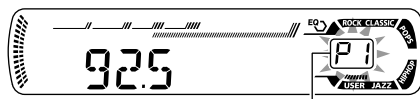


Pour accorder des stations de fréquences supérieures

Pour accorder des stations de fréquences inférieures



3 Maintenez pressée la touche numérique (dans cet exemple, 1) pendant plus de 2 secondes.



Le numéro pré réglé clignote pendant un instant.

4 Répétez la procédure ci-dessus pour mémoriser d'autres stations sur d'autres numéros de présélection.

Remarques:

- La station précédemment présélectionnée est effacée quand une nouvelle station est mémorisée sur le même numéro de présélection.
- Les stations présélectionnées sont effacées si l'alimentation du circuit mémoire est interrompue (par exemple, pendant le changement de la batterie). Si cela se produit, présélectionnez de nouveau les stations.

Accord d'une station présélectionnée

Vous pouvez accorder facilement une station présélectionnée.

Rappelez-vous que vous devez d'abord mémoriser les stations. Si vous ne les avez pas encore mémorisées, référez-vous à "Mémorisation des stations" à les pages 12 et 13.

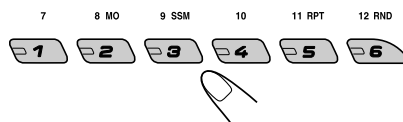
1 Choisissez la bande (FM1 – 3, AM).



Chaque fois que vous appuyez sur la touche, la bande change comme suit:



2 Choisissez le numéro (1 – 6) de la station présélectionnée souhaitée.



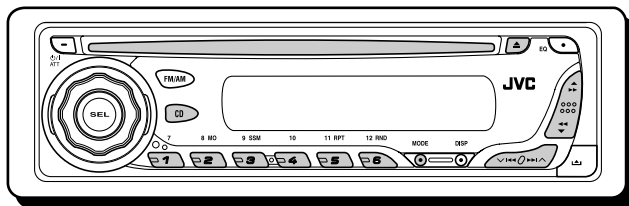
Remarque:

Vous pouvez aussi utiliser les touches ▲ (haut) ou ▼ (bas) sur l'appareil pour choisir les stations présélectionnées suivantes ou précédentes.

Chaque fois que vous appuyez les touches ▲ (haut) ou ▼ (bas), les stations présélectionnées suivantes ou précédentes sont accordées.



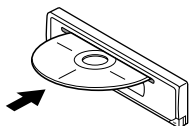
FONCTIONNEMENT DU LECTEUR CD



FRANÇAIS

Lecture d'un CD

Insérez un disque dans la fente de d'insertion.

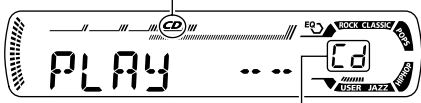


L'appareil se met en marche, tire le CD et commence la lecture automatiquement.

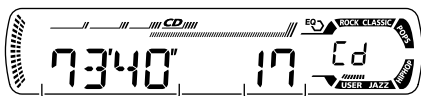
Remarque sur le fonctionnement monotouche:

Si un CD se trouve déjà dans la fente d'insertion, appuyer sur CD met l'appareil sous tension et commence la lecture automatiquement.

Indicateur CD

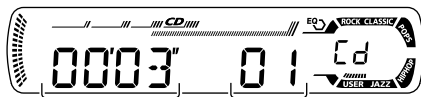


Indication de la source actuelle



Durée de lecture totale du disque inséré

Nombre total de plages du disque inséré



Durée de lecture écoulée

Numéro de la plage actuelle

Remarque:

Quand un CD est inséré à l'envers, "EJECT" apparaît sur l'affichage et le CD est éjecté automatiquement.

Pour arrêter la lecture et éjecter le CD

Appuyez sur ▲.

La lecture du CD s'arrête et le CD est automatiquement éjecté de la fente d'insertion. La source change sur le tuner (vous entendez la dernière station reçue).

- Si vous changez la source, la lecture de CD s'arrête aussi (sans éjecter le CD).

La prochaine fois que vous choisissez "CD" comme source, la lecture du CD commence à partir de l'endroit où elle a été interrompue.

Remarques:

- Si le CD éjecté n'est pas retiré avant environ 15 secondes, le CD est automatiquement réinséré dans la fente d'insertion pour le protéger de la poussière. (Dans ce cas, la lecture du CD ne commence pas).
- Vous pouvez éjecter le CD quand l'appareil est hors tension.

A propos du désalignement:

Un désalignement peut être la conséquence d'une conduite sur un terrain accidenté. Cela n'endommage pas l'appareil ni le CD, mais cela peut être agaçant.

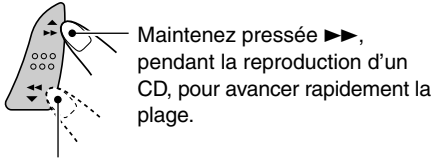
Nous vous recommandons d'arrêter la lecture de CD lors d'une conduite sur un tel terrain.

Toutes les plages sont reproduites répétitivement jusqu'à ce que vous arrêtez la lecture.



Localisation d'une plage ou d'un point particulier sur un CD

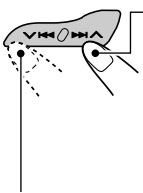
Pour avancer rapidement ou inverser une plage



Maintenez pressée ►►, pendant la reproduction d'un CD, pour avancer rapidement la plage.

Maintenez pressée ◀◀, pendant la reproduction d'un CD, pour inverser la plage.

Pour aller aux plages suivantes ou précédentes

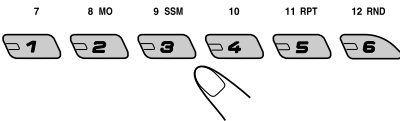


Appuyez brièvement sur ►► ▲ lors de la reproduction d'un CD, pour avancer jusqu'au début de la plage suivante. Chaque fois que vous appuyez consécutivement sur la touche, le début des plages suivantes est localisé et celle-ci est reproduite.

Appuyez brièvement sur ▼ ◀◀ lors de la reproduction d'un CD, pour revenir au début de la plage actuelle. Chaque fois que vous appuyez consécutivement sur la touche, le début des plages précédentes est localisé et celle-ci est reproduite.

Pour aller directement à une plage particulière

Appuyez sur la touche numérique correspondante au numéro de plage souhaité pour commencer sa reproduction.



- Pour choisir un numéro de plage de 1 – 6: Appuyez brièvement sur 1 (7) – 6 (12).
- Pour choisir un numéro de plage de 7 – 12: Maintenez pressé 1 (7) – 6 (12) pendant plus d'une seconde.

Sélection des modes de lecture de CD

Pour reproduire les plages dans un ordre aléatoire (Lecture aléatoire de disque)

Vous pouvez reproduire toutes les plages du disque dans un ordre aléatoire.

MODE



- 1 Appuyez sur MODE pour entrer en mode de fonction pendant l'écoute d'un CD.

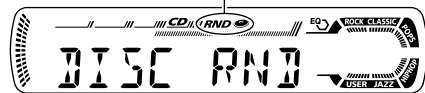
12 RND



- 2 Appuyez sur RND (aléatoire) pendant que "MODE" clignote sur l'affichage, de façon que "DISC RND" apparaisse sur l'affichage.

Chaque fois que vous appuyez sur la touche, le mode de lecture aléatoire de disque se met alternativement en et hors service.

Indicateur RND (disque aléatoire)



Quand la lecture aléatoire de disque est mise en service, l'indicateur RND s'allume sur l'affichage. Puis, une plage choisie aléatoirement est reproduite.



Pour reproduire les plages répétitivement (Lecture répétée de plage)

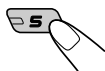
Vous pouvez reproduire la plage actuelle répétitivement.

MODE



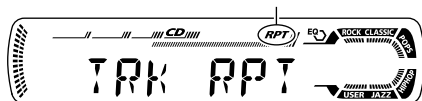
- 1 Appuyez sur MODE pour entrer en mode de fonction pendant l'écoute d'un CD.

11 RPT



- 2 Appuyez sur RPT (répétition) pendant que "MODE" clignote sur l'affichage, de façon que "TRK RPT" apparaisse sur l'affichage. Chaque fois que vous appuyez sur la touche, le mode de lecture répétée de plage se met alternativement en et hors service.

Indicateur RPT

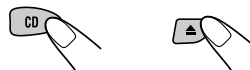


Quand la lecture répétée de plage est mise en service, l'indicateur RPT s'allume sur l'affichage. Puis, la plage en cours de lecture est reproduite répétitivement.

Interdiction de l'éjection de CD

Vous pouvez interdire l'éjection d'un CD et le verrouiller dans la fente d'insertion.

Tout en maintenant pressée CD, maintenez pressée ▲ pendant plus de 2 secondes.



"NO EJECT" clignote sur l'affichage pendant environ 5 secondes, le CD est verrouillé et ne peut plus être éjecté.



Pour annuler l'interdiction et déverrouiller le CD

Tout en appuyant sur CD, maintenez de nouveau pressée ▲ pendant plus de 2 secondes.

"EJECT" apparaît sur l'affichage et le CD est éjecté de la fente d'insertion.





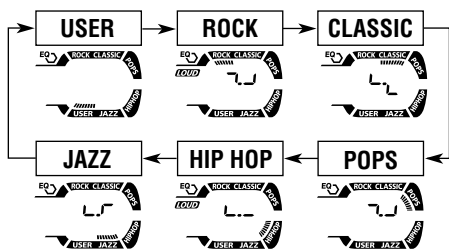
Sélection des modes sonores préréglés (C-EQ: égaliseur personnalisé)

Vous pouvez choisir un mode sonore préréglé (C-EQ: égaliseur personnalisé) convenant à votre genre de musique.

Choisissez le mode sonore que vous souhaitez.



Chaque fois que vous appuyez sur la touche, le mode sonore change comme suit:



Le modèle d'affichage change pour chaque mode sonore sauf pour "USER".



Ex.: Quand vous choisissez "ROCK"

Indication	Pour:	Valeurs prérégées		
		BAS	TRE	LOUD
USER	(Son plat)	00	00	OFF
ROCK	Musique rock ou disco	+03	+01	ON
CLASSIC	Musique classique	+01	-02	OFF
POPS	Musique légère	+04	+01	OFF
HIP HOP	Musique funk ou rap	+02	00	ON
JAZZ	Musique Jazz	+02	+03	OFF

Remarque:

Vous pouvez ajuster chaque mode sonore selon vos préférences. Une fois que vous avez réalisé un ajustement, il est mémorisé automatiquement pour le mode sonore actuellement choisi. Référez-vous à "Ajustement du son" à la page 18.



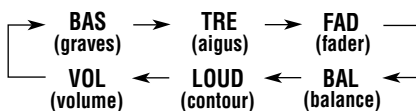
Ajustement du son

Vous pouvez ajuster les caractéristiques du son à votre préférence.

1 Choisissez l'élément que vous souhaitez ajuster.



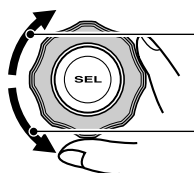
Chaque fois que vous appuyez sur la touche, l'élément ajustable change comme suit:



Indication	Pour:	Plage
BAS*1	Ajuster les graves.	-06 (min.) +06 (max.)
TRE*1	Ajuster les aigus.	-06 (min.) +06 (max.)
FAD*2	Ajuster l'équilibre entre les enceintes avant et arrière.	R06 (Arrière seulement) F06 (Avant seulement)
BAL	Ajuster l'équilibre entre les enceintes gauche et droite.	L06 (Gauche seulement) R06 (Droit seulement)
LOUD*1	Relève les fréquences basses et élevées pour produire un son bien équilibré à faible niveau de volume.	LOUD ON LOUD OFF
VOL*3	Ajuster le volume.	00 (min.) 30 ou 50 (max.)*4

- *1 Quand vous ajustez les graves, les aigus ou le loudness, l'ajustement réalisé est mémorisé pour le mode sonore actuellement choisi (C-EQ) y compris "USER".
- *2 Si vous utilisez un système à deux enceintes, réglez le niveau de fader sur "00".
- *3 Normalement, la molette de commande fonctionne comme commande de volume. Alors, vous n'avez pas besoin de choisir "VOL" pour ajuster le niveau de volume.
- *4 En fonction du réglage de commande du gain de l'amplificateur. (Référez-vous à la page 19 pour les détails).

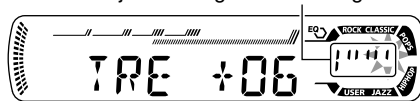
2 Ajustez le réglage.



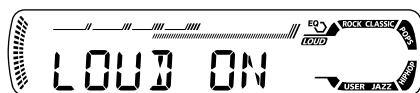
Pour augmenter le niveau ou pour mettre en service le loudness

Pour diminuer le niveau ou pour mettre hors service le loudness

Le modèle d'affichage change quand vous ajustez les grave ou les aigus.



Ex. 1: Quand vous ajustez les "TRE" (aigus)



Ex. 2: Quand vous mettez en service le loudness

3 Répétez les étapes 1 et 2 pour ajuster d'autres éléments.

Pour réinitialiser chaque mode sonore aux réglages de l'usine, répétez la même procédure et réaffectez les valeurs préreglées données dans le tableau de la page 17.



Sélection du mode de gradateur

Vous pouvez assombrir l'affichage la nuit (en fonction de vos préférences).

À l'expédition de l'usine, le gradateur est hors service.

1 Maintenez pressée SEL (sélection) pendant plus de 2 secondes.

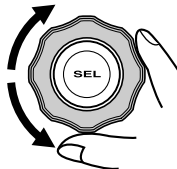
“DEMO”, “CLOCK H”, “CLOCK M”, “DIMMER”, ou “AMP GAIN” apparaît sur l'affichage.



2 Choisissez “DIMMER” s'il n'apparaît pas sur l'affichage.



3 Choisissez le mode souhaité—“OFF” ou “ON”.



- OFF: Met le gradateur hors service.
- ON: Met le gradateur en service.

4 Terminez le réglage.



Sélection de la commande de gain de l'amplificateur

Vous pouvez changer le niveau de volume maximum de l'appareil. Quand la puissance maximum des enceintes est inférieure à 50 W, choisissez “LOW PWR” pour éviter qu'elles soient endommagées.

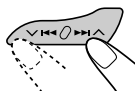
À l'expédition de l'usine, “HIGH PWR” est choisi.

1 Maintenez pressée SEL (sélection) pendant plus de 2 secondes.

“DEMO”, “CLOCK H”, “CLOCK M”, “DIMMER” ou “AMP GAIN” apparaît sur l'affichage.



2 Choisissez “AMP GAIN” s'il n'apparaît pas sur l'affichage.



3 Choisissez le mode souhaité—“HIGH PWR” ou “LOW PWR”.



- LOW PWR: Vous pouvez ajuster le niveau de volume de “VOL 00” à “VOL 30”.
- HIGH PWR: Vous pouvez ajuster le niveau de volume de “VOL 00” à “VOL 50”.

4 Terminez le réglage.



Remarque:

Si vous changez le réglage de “HIGH PWR” sur “LOW PWR” pendant une écoute avec un niveau de volume supérieur à 30, l'appareil change le niveau de volume automatiquement sur “VOL 30”.



Détachement du panneau de commande

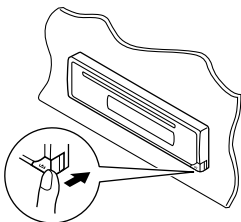
Vous pouvez détacher le panneau de commande quand vous quittez la voiture.

Lors du détachement ou de la remise en place du panneau de commande, faites attention de ne pas endommager les connecteurs situés à l'arrière du panneau et sur le porte-panneau.

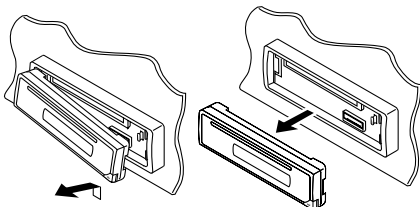
Comment détacher le panneau de commande

Avant de détacher le panneau de commande, assurez-vous de mettre l'appareil hors tension.

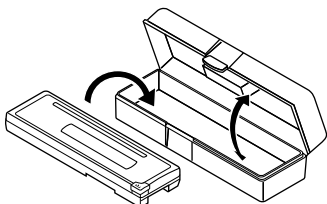
- 1 Déverrouillez le panneau de commande.



- 2 Levez et tirez le panneau de commande de l'appareil.

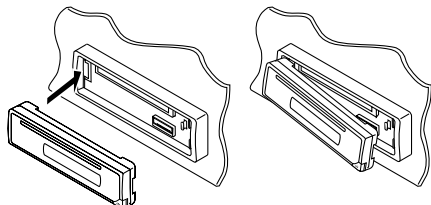


- 3 Mettez le panneau de commande détaché dans la boîte fournie.

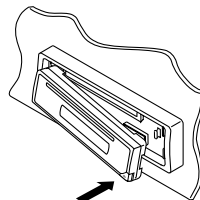


Comment attacher le panneau de commande

- 1 Insérez le côté gauche du panneau de commande dans la rainure située du côté droit du porte-panneau.

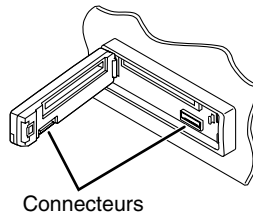


- 2 Appuyez sur le côté droit du panneau de commande pour le fixer au porte-panneau.



Remarque sur le nettoyage des connecteurs:

Si vous détachez fréquemment le panneau de commande, les connecteurs se détérioreront. Pour réduire cette détérioration, essayez périodiquement les connecteurs avec un coton-tige ou un tissu imprégné d'alcool, en faisant attention de ne pas endommager les connecteurs.



Ce qui apparaît comme un problème n'est pas toujours très sérieux. Vérifier les points suivants avant d'appeler un centre de réparation.

	Symptômes	Causes	Remèdes
Général	<ul style="list-style-type: none"> Le son ne peut pas être entendu des enceintes. 	Le niveau de volume est réglé au niveau minimum.	Ajustez-la sur le niveau optimum.
		Les connexions sont incorrectes.	Vérifiez les cordons et les connexions.
	<ul style="list-style-type: none"> Cet appareil ne fonctionne pas du tout. 	Le micro-ordinateur intégré peut fonctionner incorrectement à cause de parasites, etc.	Tout en maintenant SEL (sélection) pressée, appuyez sur ⏻ /I ATT (attente en service/sourdine) pendant plus de 2 secondes pour réinitialiser l'appareil. (Vos ajustements pré-réglés seront aussi effacés). (Voir la page 2).
FM/AM	<ul style="list-style-type: none"> La présélection automatique SSM (Mémorisation automatique des meilleures stations) ne fonctionne pas. 	Les signaux sont trop faibles.	Mémorisez les stations manuellement.
	<ul style="list-style-type: none"> Il y a du bruit statique lors de l'écoute de la radio. 	L'antenne n'est pas connectée fermement.	Connectez l'antenne fermement.
Lecture de CD	<ul style="list-style-type: none"> Le CD est éjecté automatiquement. 	Le CD est inséré à l'envers.	Insérez-le CD correctement.
	<ul style="list-style-type: none"> Le CD-R/CD-RW ne peut pas être reproduit. Les plages sur un CD-R/CD-RW ne peuvent pas être sautées. 	Le CD-R/CD-RW n'est pas finalisé.	<ul style="list-style-type: none"> Insérez un CD-R/CD-RW finalisé. Finalisez le CD-R/CD-RW avec l'appareil utilisé pour l'enregistrement.
		<ul style="list-style-type: none"> Le CD ne peut être ni reproduit ni éjecté. 	Le CD est verrouillé.
	Le lecteur de CD fonctionne peut-être incorrectement.		Tout en maintenant ⏻ /I ATT (attente en service/sourdine), pressée, appuyez sur ▲ (éjection) pendant plus de 2 secondes. Faites attention de ne pas faire tomber le CD quand il est éjecté.
	<ul style="list-style-type: none"> Le son du CD est interrompu par moment. 	Vous conduisez sur une route accidentée.	Arrêtez la lecture quand vous conduisez sur des routes accidentées.
		Le CD est rayé.	Changez le CD.
		Les connexions sont incorrectes.	Vérifiez les cordons et les connexions.
<ul style="list-style-type: none"> "NO DISC" apparaît sur l'affichage. 	Il n'y a pas de CD dans la fente d'insertion.	Insérez un CD dans la fente d'insertion.	
	Le CD n'est pas inséré incorrectement.	Insérez-le CD correctement.	



Manipulation des disques

Cet appareil est conçu pour reproduire les CD, CD-R (enregistrables) et CD-RW (réinscriptibles).

• **Cet appareil n'est pas compatible avec les disques MP3.**

Manipulation des disques

Pour retirer un disque de son boîtier, faites pression sur le support central du boîtier et retirez le disque en le tenant par ses arêtes.

Support central



• Tenez toujours le disque par ses arêtes. Ne touchez pas la surface enregistrée.

Pour remettre un disque dans son boîtier, insérez délicatement le CD autour du support central (la surface imprimée dirigée vers le haut).

• Remettez les disques dans leur boîtier après utilisation.

Pour garder propres vos disques

Un disque sale peut ne pas être reproduit correctement. Si un disque devient sale, essuyez-le avec un chiffon doux, en ligne droite, du centre vers les arêtes.



Avant de reproduire un disque neuf

Les disques neufs peuvent avoir des ébarbures sur les arêtes intérieures et extérieures. Si un tel disque est utilisé, cet appareil risque de rejeter le disque.



Pour retirer ces ébarbures, frottez les arêtes avec un crayon, un stylo, etc.

Condensation d'humidité

De l'humidité peut se condenser sur la lentille à l'intérieur du lecteur de disque dans les cas suivants:

- Après avoir mis le chauffage dans la voiture.
 - Si l'intérieur de la voiture devient très humide.
- Si cela se produit, le lecteur de disque peut ne pas fonctionner correctement. Dans ce cas, éjectez le disque et laissez l'appareil sous tension pendant quelques heures, jusqu'à ce que l'humidité se soit évaporée.

Lors de la reproduction d'un CD-R ou CD-RW

Avant de reproduire un CD-R ou CD-RW, lisez attentivement leurs instructions et précautions.

- Utilisez uniquement des CD-R ou CD-RW "finalisés".
- Certains CD-Rs ou CD-RWs ne peuvent pas être reproduits sur cet appareil à cause de leurs caractéristiques et pour les raisons suivantes:
 - Les disques sont sales ou rayés.
 - De l'humidité s'est condensée sur la lentille, à l'intérieur de l'appareil.
 - La lentille du capteur, à l'intérieur de l'appareil, est sale.
- Les CD-RW peuvent nécessiter une durée de mise en service plus longue car le facteur de réflexion des CD-RW est inférieur à celui des CD ordinaires.
- Les CD-R ou CD-RW sont sensibles aux hautes températures ou à une humidité importante. Ne les laissez pas à l'intérieur de la voiture.
- N'utilisez les CD-R ou CD-RW suivants:
 - Disques avec des autocollants, des étiquettes ou des cachets de protection collés sur leur surface.
 - Disques sur lesquels une étiquette peut être imprimée directement avec, par exemple, une imprimante à jet d'encre.

L'utilisation de ce type de disque par haute température ou humidité peut entraîner un mauvais fonctionnement de l'appareil ou endommager le disque. Par exemple:

- L'autocollant ou l'étiquette peut rétrécir et gondoler le disque.
- L'autocollant ou l'étiquette peut se détacher et le disque ne peut plus être éjecté.
- L'impression sur le disque peut devenir collante.

Lisez attentivement les instructions et les précautions sur les étiquettes et les disques imprimables.

ATTENTION:

- *N'insérez pas des disques de 8 cm (3-3/16 pouces) disque (CDs single) dans la fente d'insertion. (De tels disques ne peuvent pas être éjectés).*
- *N'insérez pas des disques avec une forme inhabituelle—comme le cœur d'une fleur; cela pourrait causer un mauvais fonctionnement.*
- *N'exposez pas les disques à la lumière directe du soleil ou à toute source de chaleur, ni ne les placez pas dans un endroit soumis à des hautes températures ou à l'humidité. Ne les laissez pas dans la voiture.*
- *N'utilisez aucun solvant (comme par exemple: un nettoyant pour disque analogique, un diluant en bombe, de la benzine, etc.) pour nettoyer les disques.*

Disque gondolé



Autocollant



Reste collant

Disque



Etiquette spécialisée

SECTION AMPLIFICATEUR AUDIO

Puissance de sortie:
18 W RMS x 4 canaux à 4 Ω
et avec $\leq 1\%$ THD+N
Rapport signal sur bruit:
80 dBA (référence: 1 W pour 4 Ω)



Impédance de charge: 4 Ω (4 Ω à 8 Ω tolérés)
Plage de commande de la tonalité:
Graves: ± 10 dB à 100 Hz
Aigus: ± 10 dB à 10 kHz
Réponse en fréquence: 40 Hz à 20 000 Hz
Niveau de sortie de ligne/Impédance:
2,5 V/20 k Ω en charge (pleine échelle)
Impédance de sortie: 1 k Ω

SECTION TUNER

Plage de fréquence:
FM: 87,5 MHz à 107,9 MHz
AM: 530 kHz à 1 710 kHz

[Tuner FM]

Sensibilité utilisable:
11,3 dBf (1,0 μ V/75 Ω)
Sensibilité utile à 50 dB:
16,3 dBf (1,8 μ V/75 Ω)
Sélectivité de canal alterné (400 kHz):
65 dB
Réponse en fréquence: 40 Hz à 15 000 Hz
Séparation stéréo: 35 dB
Rapport de synchronisation: 1,5 dB

[Tuner AM]

Sensibilité: 20 μ V
Sélectivité: 35 dB

SECTION LECTEUR CD

Type: Lecteur de disque compact
Système de détection de signal: Capteur sans contact optique (semiconducteur laser)
Nombre de canaux: 2 canaux (stéréo)
Réponse en fréquence: 5 Hz à 20 000 Hz
Plage dynamique: 96 dB
Rapport signal sur bruit: 98 dB
Pleurage et scintillement: Inférieure à la limite mesurable

GÉNÉRAL

Alimentation:
Tension de fonctionnement:
CC 14,4 V (11 V à 16 V tolérés)
Système de mise à la masse: Masse négative
Température de fonctionnement admissible:
0°C à +40°C (32°F à 104°F)
Dimensions (L x H x P):
Taille d'installation (approx.):
182 mm x 52 mm x 150 mm
(7-3/16 pouces x 2-1/16 pouces x
5-15/16 pouces)
Taille du panneau (approx.):
188 mm x 58 mm x 11 mm
(7-7/16 pouces x 2-5/16 pouces x
7/16 pouces)
Masse (approx.):
1,3 kg (2,9 livres) (sans les accessoires)

La conception et les spécifications sont sujettes à changement sans notification.

Si un kit de montage est nécessaire pour votre voiture, consultez votre annuaire téléphonique pour trouver le magasin spécialisé en autoradio le plus proche de chez vous.



**Having TROUBLE with operation?
Please reset your unit**

Refer to page of How to Reset
Still having trouble??

USA ONLY

Call 1-800-252-5722

<http://www.jvc.com>

We can help you!

JVC



JVC KD-AR260/KD-G210

Installation/Connection Manual

Manual de instalación/conexión

Manuel d'installation/raccordement

GET0246-002A
[J]

0904DTSINTJEIN
EN, SP, FR

ENGLISH

This unit is designed to operate on **12 V DC, NEGATIVE ground electrical systems**. If your vehicle does not have this system, a voltage inverter is required, which can be purchased at JVC car audio dealers.

ESPAÑOL

Esta unidad está diseñada para funcionar con **12 V de CC, con sistemas eléctricos de masa NEGATIVA**. Si su vehículo no posee este sistema, será necesario un inversor de tensión, que puede ser adquirido en los concesionarios de JVC de equipos de audio para automóviles.

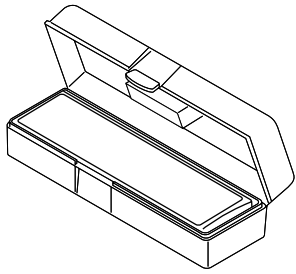
FRANÇAIS

Cet appareil est conçu pour fonctionner sur des sources de courant continu de **12 V à masse NEGATIVE**. Si votre véhicule n'offre pas ce type d'alimentation, il vous faut un convertisseur de tension, que vous pouvez acheter chez un revendeur d'autoradios JVC.

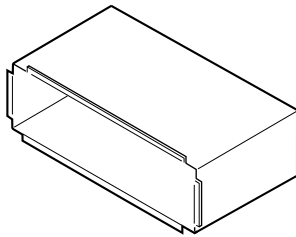
Parts list for installation and connection

The following parts are provided for this unit.
After checking them, please set them correctly.

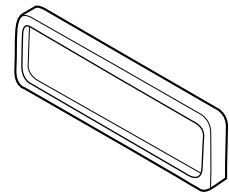
(A) / (B)
Hard case/Control panel
Estuche duro/Panel de control
Etui de transport/Panneau de commande



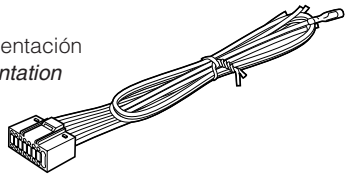
(C)
Sleeve
Cubierta
Manchon



(D)
Trim plate
Placa de guarnición
Plaque d'assemblage



(E)
Power cord
Cordón de alimentación
Cordon d'alimentation



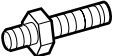
(F)
Washer (ø5)
Arandela (ø5)
Rondelle (ø5)



(G)
Lock nut (M5)
Tuerca de seguridad (M5)
Ecrou d'arrêt (M5)



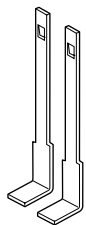
(H)
Mounting bolt (M5 x 20 mm)
Perno de montaje (M5 x 20 mm)
Boulon de montage (M5 x 20 mm)



(I)
Rubber cushion
Cojín de goma
Amortisseur en caoutchouc



(J)
Handles
Manijas
Poignées



(K)
Remote controller
Mando a distancia
Télécommande



(L)
Battery
Pila
Pile



CR2025

INSTALLATION (IN-DASH MOUNTING)

The following illustration shows a typical installation. If you have any questions or require information regarding installation kits, consult your JVC car audio dealer or a company supplying kits.

- If you are not sure how to install this unit correctly, have it installed by a qualified technician.

INSTALACION (MONTAJE EN EL TABLERO DE INSTRUMENTOS)

La siguiente ilustración muestra una instalación típica. Si tiene alguna pregunta o necesita información acerca de las herramientas para instalación, consulte con su concesionario de JVC de equipos de audio para automóviles o a una compañía que suministra tales herramientas.

- Si usted no está seguro de cómo instalar correctamente la unidad, hágala instalar por un técnico cualificado.

INSTALLATION (MONTAGE DANS LE TABLEAU DE BORD)

L'illustration suivante est un exemple d'installation typique. Si vous avez des questions ou avez besoin d'information sur des kits d'installation, consulter votre revendeur d'autoradios JVC ou une compagnie d'approvisionnement.

- Si l'on n'est pas sûr de pouvoir installer correctement cet appareil, le faire installer par un technicien qualifié.

1

2

3

*1 When you stand the unit, be careful not to damage the fuse on the rear.
*1 Al poner la unidad vertical, tenga cuidado de no dañar el fusible provisto en la parte posterior.
*1 Lorsque vous mettez l'appareil à la verticale, faire attention de ne pas endommager le fusible situé sur l'arrière.

4

③ Do the required electrical connections.
Realice las conexiones eléctricas requeridas.
Réalisez les connexions électriques.

Bend the appropriate tabs to hold the sleeve firmly in place.
Doble las lengüetas apropiadas para retener firmemente la manga en su lugar.
Tordez les languettes appropriées pour maintenir le manchon en place.

Removing the unit

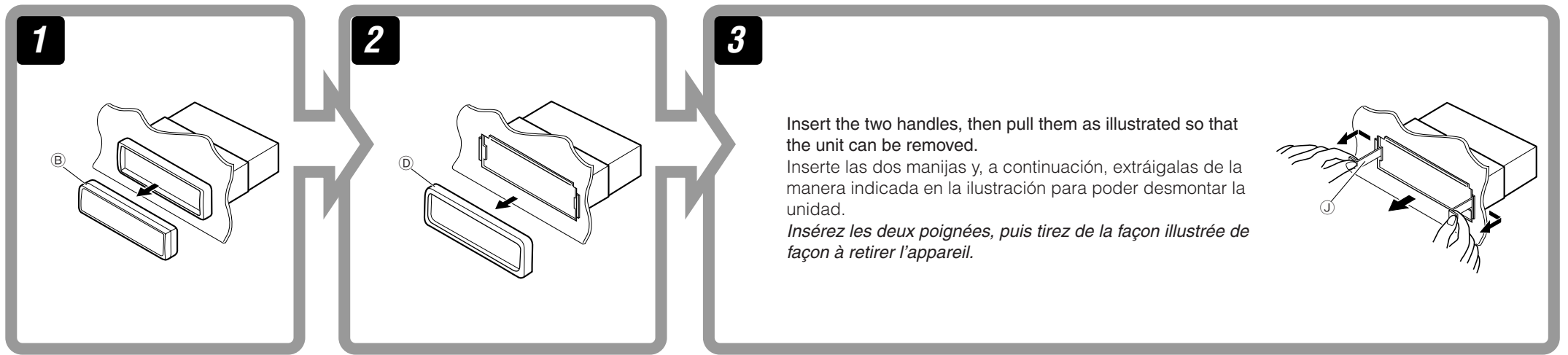
Before removing the unit, release the rear section.

Extracción de la unidad

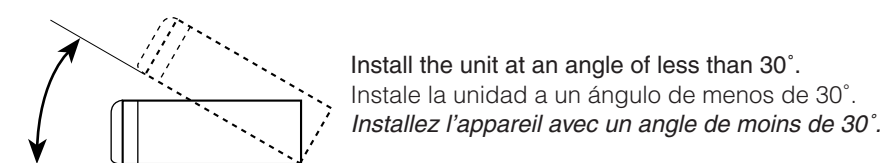
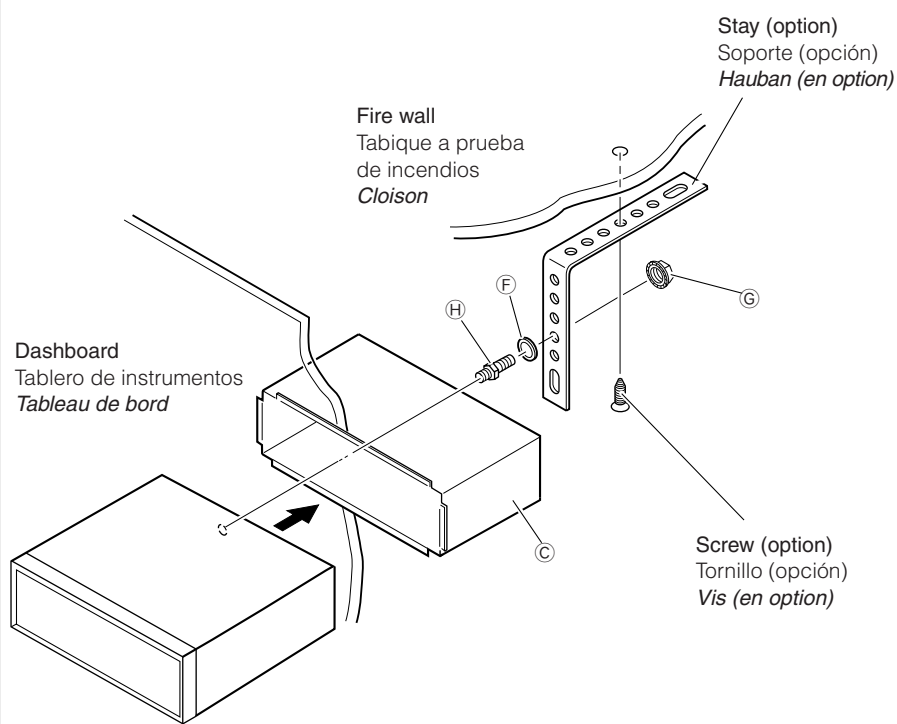
Antes de extraer la unidad, libere la sección trasera.

Retrait de l'appareil

Avant de retirer l'appareil, libérer la section arrière.



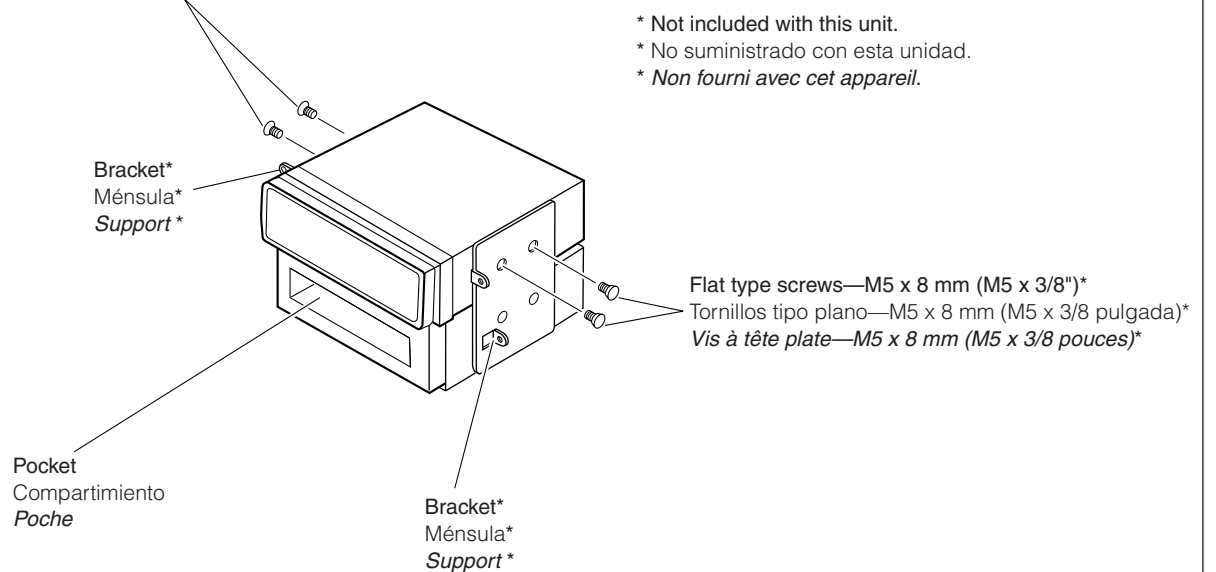
When using the optional stay / Cuando emplea un soporte opcional / Lors de l'utilisation du hauban en option



When installing the unit without using the sleeve / Instalación de la unidad sin utilizar la manga / Lors de l'installation de l'appareil sans utiliser de manchon

In a Toyota for example, first remove the car radio and install the unit in its place.
En un Toyota por ejemplo, primero retire la radio del automóvil y luego instale la unidad en su lugar.
Par exemple dans une Toyota, retirer d'abord l'autoradio et installer l'appareil à la place.

Flat type screws—M5 x 8 mm (M5 x 3/8")*
Tornillos tipo plano—M5 x 8 mm (M5 x 3/8 pulgada)*
Vis à tête plate—M5 x 8 mm (M5 x 3/8 pouces)*



* Not included with this unit.
* No suministrado con esta unidad.
* Non fourni avec cet appareil.

Note : When installing the unit on the mounting bracket, make sure to use the 8 mm (3/8")-long screws. If longer screws are used, they could damage the unit.
Nota : Cuando instala la unidad en la ménsula de montaje, asegúrese de utilizar los tornillos de 8 mm (3/8 pulgada) de longitud. Si se utilizan tornillos más largos, éstos pueden dañar la unidad.
Remarque : Lors de l'installation de l'appareil sur le support de montage, s'assurer d'utiliser des vis d'une longueur de 8 mm (3/8 pouces). Si des vis plus longues sont utilisées, elles peuvent endommager l'appareil.

TROUBLESHOOTING

- **The fuse blows.**
* Are the red and black leads connected correctly?
- **Power cannot be turned on.**
* Is the yellow lead connected?
- **No sound from the speakers.**
* Is the speaker output lead short-circuited?
- **Sound is distorted.**
* Is the speaker output lead grounded?
* Are the “-” terminals of L and R speakers grounded in common?
- **Noise interfere with sounds.**
* Is the rear ground terminal connected to the car's chassis using shorter and thicker cords?
- **Unit becomes hot.**
* Is the speaker output lead grounded?
* Are the “-” terminals of L and R speakers grounded in common?
- **This receiver does not work at all.**
* Have you reset your receiver?

LOCALIZACION DE AVERIAS

- **El fusible se quema.**
* ¿Están los conductores rojo y negro correctamente conectados?
- **No es posible conectar la alimentación.**
* ¿Está el cable amarillo conectado?
- **No sale sonido de los altavoces.**
* ¿Está el cable de salida del altavoz cortocircuitado?
- **El sonido presenta distorsión.**
* ¿Está el cable de salida del altavoz conectado a masa?
* ¿Están los terminales “-” de los altavoces L y R conectados a una masa común?
- **Perturbación de ruido.**
* ¿El terminal de tierra trasero está conectado al chasis del automóvil utilizando los cordones más corto y más grueso?
- **La unidad se calienta.**
* ¿Está el cable de salida del altavoz conectado a masa?
* ¿Están los terminales “-” de los altavoces L y R conectados a una masa común?
- **Este receptor no funciona en absoluto.**
* ¿Reinicializó el receptor?

EN CAS DE DIFFICULTES

- **Le fusible saute.**
* Les fils rouge et noir sont-ils raccordés correctement?
- **L'appareil ne peut pas être mise sous tension.**
* Le fil jaune est-elle raccordée?
- **Pas de son des enceintes.**
* Le fil de sortie d'enceinte est-il court-circuité?
- **Le son est déformé.**
* Le fil de sortie d'enceinte est-il à la masse?
* Les bornes “-” des enceintes gauche et droit sont-elles mises ensemble à la masse?
- **Interférence avec les sons.**
* La prise arrière de mise à la terre est-elle connectée au châssis de la voiture avec un cordon court et épais?
- **L'appareil devient chaud.**
* Le fil de sortie d'enceinte est-il à la masse?
* Les bornes “-” des enceintes gauche et droit sont-elles mises ensemble à la masse?
- **Cet appareil ne fonctionne pas du tout.**
* Avez-vous réinitialisé votre appareil?

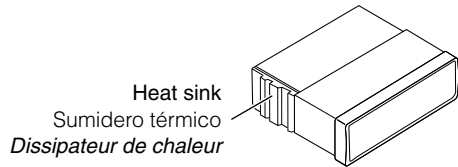
ELECTRICAL CONNECTIONS

To prevent short circuits, we recommend that you disconnect the battery's negative terminal and make all electrical connections before installing the unit.

- **Be sure to ground this unit to the car's chassis again after installation.**

Notes:

- Replace the fuse with one of the specified rating. If the fuse blows frequently, consult your JVC car audio dealer.
- It is recommended to connect to the speakers with maximum power of more than 50 W (both at the rear and at the front, with an impedance of 4 Ω to 8 Ω). If the maximum power is less than 50 W, change "AMP GAIN" setting to prevent the speakers from being damaged (see page 19 of the INSTRUCTIONS).
- To prevent short-circuit, cover the terminals of the UNUSED leads with insulating tape.
- The heat sink becomes very hot after use. Be careful not to touch it when removing this unit.



CONEXIONES ELECTRICAS

Para evitar cortocircuitos, recomendamos que desconecte el terminal negativo de la batería y que efectúe todas las conexiones eléctricas antes de instalar la unidad.

- **Asegúrese de volver a conectar a masa esta unidad al chasis del automóvil después de la instalación.**

Notas:

- Reemplace el fusible por uno con la corriente especificada. Si el fusible se quemase frecuentemente consulte con su concesionario de JVC de equipos de audio para automóviles.
- Se recomienda conectar los altavoces con una potencia máxima de más de 50 W (tanto atrás como adelante, con una impedancia de 4 Ω a 8 Ω). Si la potencia máxima es de menos de 50 W, cambie "AMP GAIN" para evitar daños en los altavoces (consulte la página 19 del MANUAL DE INSTRUCCIONES).
- Para evitar cortocircuitos, cubra los cables NO UTILIZADOS con cinta aislante.
- El sumidero térmico estará muy caliente después del uso. Asegúrese de no tocarlo al desmontar esta unidad.

RACCORDEMENTS ELECTRIQUES

Pour éviter tout court-circuit, nous vous recommandons de débrancher la borne négative de la batterie et d'effectuer tous les raccordements électriques avant d'installer l'appareil.

- **Assurez-vous de raccorder de nouveau la mise à la masse de cet appareil au châssis de la voiture après l'installation.**

Remarques:

- Remplacer le fusible par un de la valeur précisée. Si le fusible saute souvent, consulter votre revendeur d'autoradios JVC.
- Il est recommandé de connecter des enceintes avec une puissance de plus de 50 W (les enceintes arrière et les enceintes avant, avec une impédance comprise entre 4 Ω et 8 Ω). Si la puissance maximum est inférieure à 50 W, changez "AMP GAIN" pour éviter d'endommager vos enceintes (voir page 19 du MANUEL D'INSTRUCTIONS).
- Pour éviter les court-circuits, couvrir les bornes des fils qui ne sont PAS UTILISÉS avec de la bande isolante.
- Le dissipateur de chaleur devient très chaud après usage. Faire attention de ne pas le toucher en retirant cet appareil.

A Typical Connections / Conexiones típicas / Raccordements typiques

Before connecting: Check the wiring in the vehicle carefully. Incorrect connection may cause serious damage to this unit. The leads of the power cord and those of the connector from the car body may be different in color.

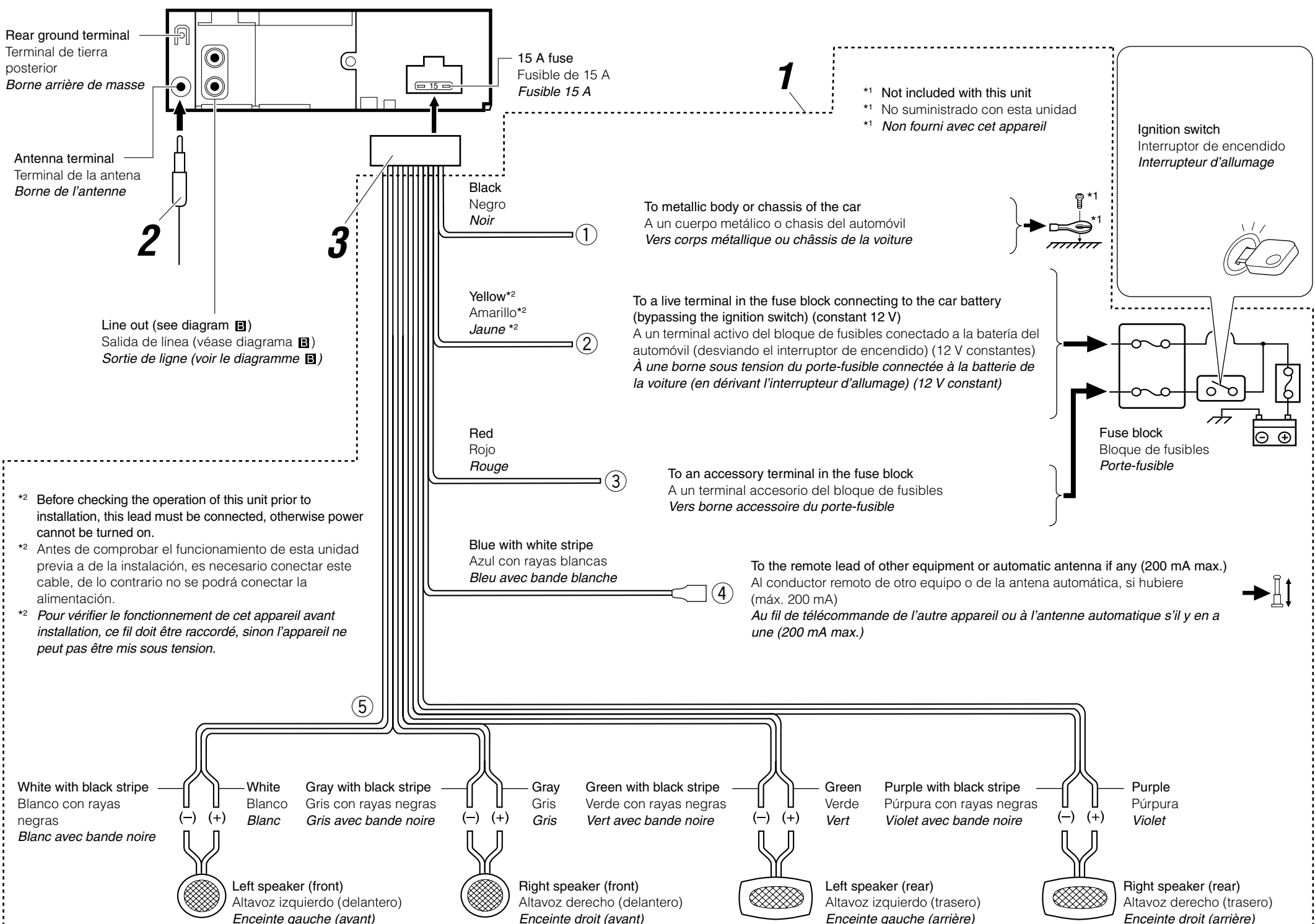
- 1 Connect the colored leads of the power cord in the order specified in the illustration below.
- 2 Connect the antenna cord.
- 3 Finally connect the wiring harness to the unit.

Antes de la conexión: Verifique atentamente el conexionado del vehículo. Una conexión incorrecta podría producir daños graves en la unidad. Los cordones del cable de alimentación y los del conector procedentes de la carrocería del automóvil podrían ser de diferentes en color.

- 1 Conecte los conductores de color del cable de alimentación en el orden especificado en la ilustración de abajo.
- 2 Conecte el cable de antena.
- 3 Por último, conecte el cable de alimentación a la unidad.

Avant de commencer la connexion: Vérifiez attentivement le câblage du véhicule. Une connexion incorrecte peut endommager sérieusement l'appareil. Le fil du cordon d'alimentation et ceux des connecteurs du châssis de la voiture peuvent être différents en couleur.

- 1 Connectez les fils colorés du cordon d'alimentation dans l'ordre spécifié sur l'illustration ci-dessous.
- 2 Connectez le cordon d'antenne.
- 3 Finalement, connectez le faisceau de fils à l'appareil.



Amplifier / Amplificador / Amplificateur

You can connect an amplifier to upgrade your car stereo system.

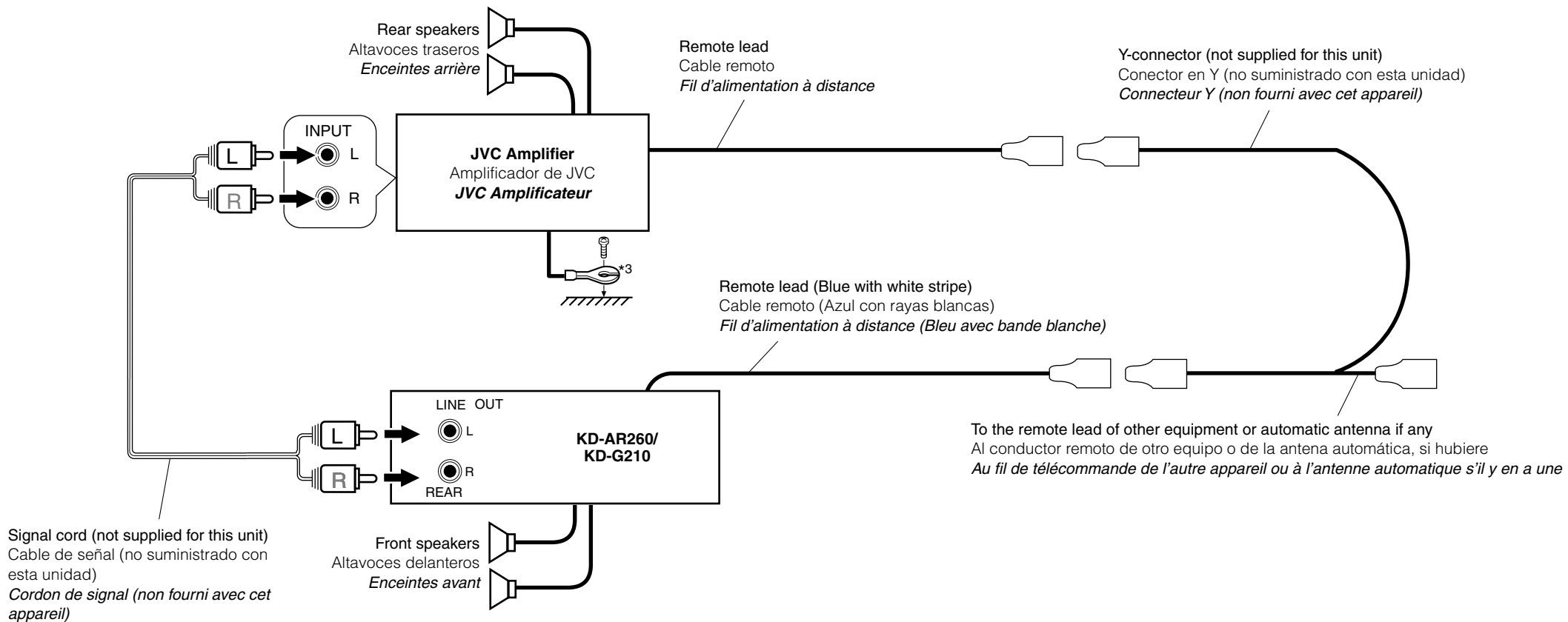
- Connect the remote lead (blue with white stripe) to the remote lead of the other equipment so that it can be controlled through this unit.
- **Disconnect the speakers from this unit, connect them to the amplifier. Leave the speaker leads of this unit unused.**

Usted podrá conectar un amplificador para mejorar el sistema estéreo de su automóvil.

- Conecte el conductor remoto (azul con rayas blancas) al conductor remoto del otro equipo para poderlo controlar a través de esta unidad.
- **Desconecte los altavoces de esta unidad y conéctelos al amplificador. Los cables de los altavoces de esta unidad quedan sin usar.**

Vous pouvez connecter un amplificateur pour améliorer votre système autoradio.

- Connectez le fil de commande à distance (bleu avec bande blanche) au fil de commande à distance de l'autre appareil de façon qu'il puisse être commandé via cet appareil.
- **Déconnectez les enceintes de cet appareil et connectez-les à l'amplificateur. Laissez les fils d'enceintes de cet appareil inutilisés.**



*3 Firmly attach the ground wire to the metallic body or to the chassis of the car—to the place not coated with paint (if coated with paint, remove the paint before attaching the wire). Failure to do so may cause damage to the unit.

*3 Fije firmemente el cable de tierra a la carrocería metálica o al chasis—a un lugar no cubierto con pintura (si está cubierto con pintura, quítela antes de fijar el cable). De lo contrario, se podrían producir daños en la unidad.

*3 Attachez solidement le fil de mise à la masse au châssis métallique de la voiture—à un endroit qui n'est pas recouvert de peinture (s'il est recouvert de peinture, enlevez d'abord la peinture avant d'attacher le fil). L'appareil peut être endommagé si cela n'est pas fait correctement.

PRECAUTIONS on power supply and speaker connections:

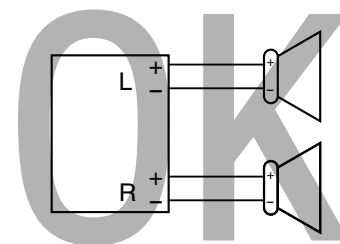
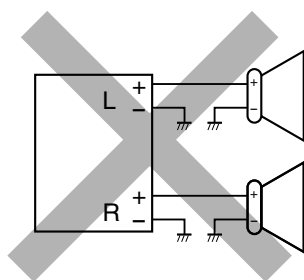
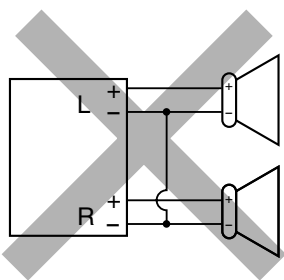
- **DO NOT** connect the speaker leads of the power cord to the car battery; otherwise, the unit will be seriously damaged.
- **BEFORE** connecting the speaker leads of the power cord to the speakers, check the speaker wiring in your car.

PRECAUCIONES sobre las conexiones de la fuente de alimentación y de los altavoces:

- **NO** conecte los conductores de altavoz del cable de alimentación a la batería de automóvil, pues podrían producirse graves daños en la unidad.
- **ANTES** de conectar a los altavoces los conductores de altavoz del cable de alimentación, verifique el conexionado de altavoz de su automóvil.

PRECAUTIONS sur l'alimentation et la connexion des enceintes:

- **NE CONNECTEZ PAS** les fils d'enceintes du cordon d'alimentation à la batterie; sinon, l'appareil serait sérieusement endommagé.
- **AVANT** de connecter les fils d'enceintes du cordon d'alimentation aux enceintes, vérifiez le câblage des enceintes de votre voiture.



JVC



ENGLISH

ESPAÑOL

FRANÇAIS

CD RECEIVER

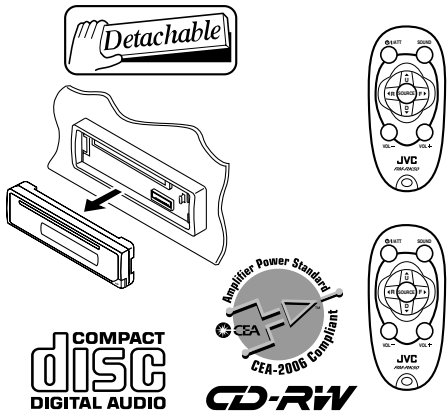
KD-AR260/KD-G210

RECEPTOR CON CD

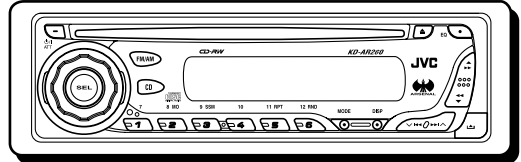
KD-AR260/KD-G210

RECEPTEUR CD

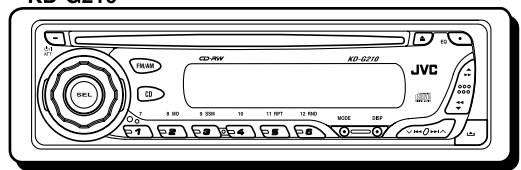
KD-AR260/KD-G210



KD-AR260



KD-G210



- This unit is equipped with the display demonstration. To cancel it, see page 8.
- Esta unidad está equipada con demostración en la pantalla. Para cancelarla, consulte la página 8.
- Cet appareil est équipé d'une fonction de démonstration des affichages. Pour l'annuler, référez-vous à la page 8.

For installation and connections, refer to the separate manual.
Para la instalación y las conexiones, refiérase al manual separado.
Pour l'installation et les raccordements, se référer au manuel séparé.

INSTRUCTIONS

MANUAL DE INSTRUCCIONES
MANUEL D'INSTRUCTIONS

For customer Use:
Enter below the Model No. and Serial No. which are located on the top or bottom of the cabinet. Retain this information for future reference.

Model No. _____

Serial No. _____



INFORMATION (For U.S.A.)

This equipment has been tested and found to comply with the limits for a Class B digital device, pursuant to Part 15 of the FCC Rules. These limits are designed to provide reasonable protection against harmful interference in a residential installation. This equipment generates, uses, and can radiate radio frequency energy and, if not installed and used in accordance with the instructions, may cause harmful interference to radio communications. However, there is no guarantee that interference will not occur in a particular installation. If this equipment does cause harmful interference to radio or television reception, which can be determined by turning the equipment off and on, the user is encouraged to try to correct the interference by one or more of the following measures:

- Reorient or relocate the receiving antenna.
- Increase the separation between the equipment and receiver.
- Connect the equipment into an outlet on a circuit different from that to which the receiver is connected.
- Consult the dealer or an experienced radio/TV technician for help.

IMPORTANT FOR LASER PRODUCTS

1. CLASS 1 LASER PRODUCT
2. **CAUTION:** Do not open the top cover. There are no user serviceable parts inside the unit; leave all servicing to qualified service personnel.
3. **CAUTION:** Visible and invisible laser radiation when open and interlock failed or defeated. Avoid direct exposure to beam.

Warning:

If you need to operate the receiver while driving, be sure to look ahead carefully or you may be involved in a traffic accident.

How to reset your receiver

Press and hold both buttons at the same time.



- This will reset the microcomputer. Your preset adjustments will also be erased.
- If a disc is loaded, it will eject. Be careful not to drop the disc.

How to forcibly eject a disc

If a disc cannot be recognized by the receiver or cannot be ejected, ejects the disc as follows.

Press and hold both buttons at the same time.



- If this does not work, try to reset your receiver.
- Be careful not to drop the disc when it ejects.

Thank you for purchasing a JVC product. Please read all instructions carefully before operation, to ensure your complete understanding and to obtain the best possible performance from the unit.

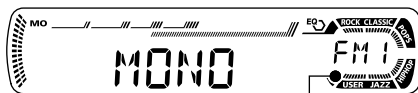
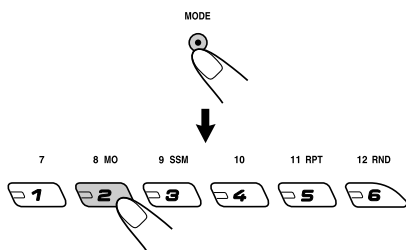
CONTENTS

How to reset your receiver	2	Locating a track or a particular portion on a CD	15
How to forcibly eject a disc	2	Selecting CD playback modes	15
How to use the MODE button	3	Prohibiting CD ejection	16
LOCATION OF THE BUTTONS	4	SOUND ADJUSTMENTS	17
Control panel	4	Selecting preset sound modes (C-EQ: custom equalizer)	17
Remote controller	5	Adjusting the sound	18
Preparing the remote controller	6	OTHER MAIN FUNCTIONS	19
BASIC OPERATIONS	7	Selecting the dimmer mode	19
Turning on the power	7	Selecting the amplifier gain control	19
Canceling the display demonstration	8	Detaching the control panel	20
Setting the clock	9	TROUBLESHOOTING	21
RADIO OPERATIONS	10	MAINTENANCE	22
Listening to the radio	10	Handling discs	22
Storing stations in memory	12	SPECIFICATIONS	23
Tuning in to a preset station	13		
CD OPERATIONS	14		
Playing a CD	14		

How to use the MODE button

If you press MODE, the unit goes into functions mode, then the number buttons work as different function buttons.

Ex.: When number button 2 works as MO (monaural) button.



Time countdown indicator

To use these buttons for original functions again after pressing MODE, wait for 5 seconds without pressing any of these buttons until the functions mode is cleared.

- Pressing MODE again also clears the functions mode.

BEFORE USE

*For safety...

- Do not raise the volume level too much, as this will block outside sounds, making driving dangerous.
- Stop the car before performing any complicated operations.

*Temperature inside the car...

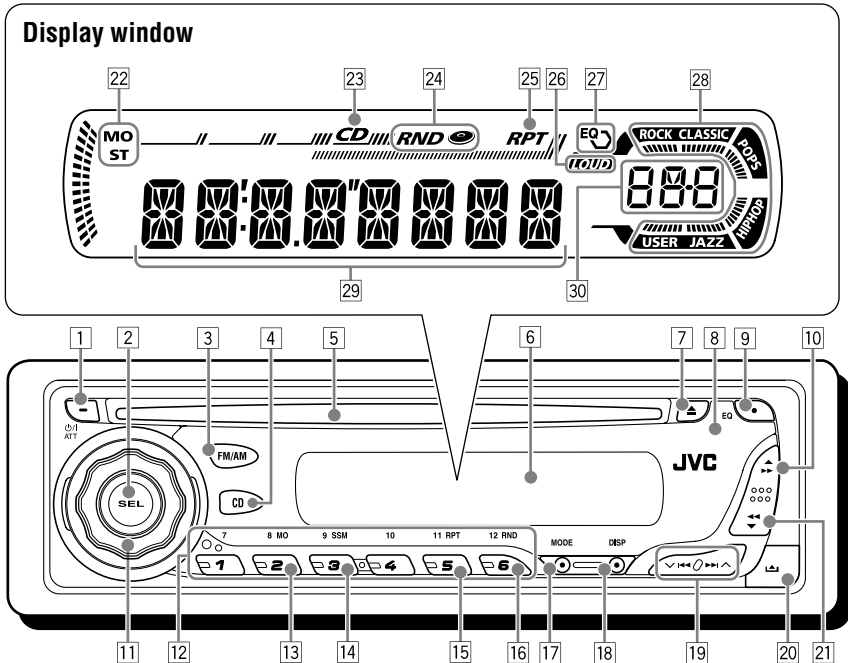
If you have parked the car for a long time in hot or cold weather, wait until the temperature in the car becomes normal before operating the unit.



LOCATION OF THE BUTTONS


ENGLISH

Control panel



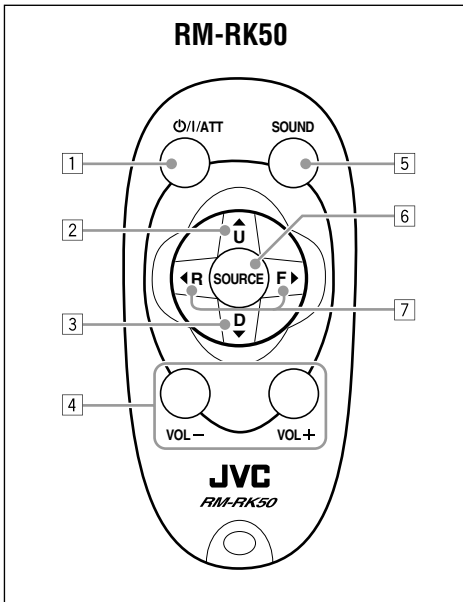
- 1 ϕ /I ATT (standby/on attenuator) button
- 2 SEL (select) button
- 3 FM/AM button
- 4 CD button
- 5 Loading slot
- 6 Display window
- 7 \blacktriangle (eject) button
- 8 Remote sensor
- 9 EQ (equalizer) button
- 10 \blacktriangle (up) button
- 11 Control dial
- 12 Number buttons
- 13 MO (monaural) button
- 14 SSM (Strong-station Sequential Memory) button
- 15 RPT (repeat) button
- 16 RND (random) button
- 17 MODE button
- 18 DISP (display) button
- 19 \blacktriangledown \blacktriangleleft \blacktriangleright \blacktriangle buttons
- 20 \blacktriangle (control panel release) button
- 21 \blacktriangledown (down) button
- \blacktriangleleft (reverse) button

Display window

- 22 Tuner reception indicators—MO (monaural), ST (stereo)
- 23 CD indicator
- 24 RND  (random disc) indicator
- 25 RPT (repeat) indicator
- 26 LOUD (loudness) indicator
- 27 EQ (equalizer) indicator
- 28 Sound mode (C-EQ: custom equalizer) indicators—ROCK, CLASSIC, POPS, HIP HOP, JAZZ, USER
- 29 Main display
- 30 Source display
Volume level indicator



Remote controller



- 1 • Turns on the unit if pressed when the unit is turned off.
 - Turns off the unit if pressed and held until “SEE YOU” appears on the display.
 - Drops the volume level in a moment if pressed briefly.
Press again to resume the volume.
- 2 Selects the band while listening to the radio.
Each time you press the button, the band changes.
- 3 Selects the preset stations while listening to the radio.
Each time you press the button, the preset station number increases, and the selected station is tuned in.

- 4 Functions the same as the control dial on the main unit.

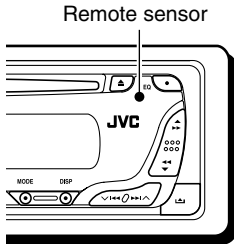
Note: These buttons are not used for adjusting “DEMO”, “CLOCK H”, “CLOCK M”, “DIMMER”, and “AMP GAIN” (see pages 8, 9 and 19).

- 5 Selects the sound mode (C-EQ: custom equalizer).
Each time you press the button, the sound mode (C-EQ) changes.
- 6 Selects the source.
Each time you press the button, the source changes.
- 7
 - Searches for stations while listening to the radio.
 - Fast-forwards or reverses the track if pressed and held while listening to a CD.
 - Skips to the beginning of the next track or goes back to the beginning of the current (or previous) tracks if pressed briefly while listening to a CD.

Preparing the remote controller

Before using the remote controller:

- Aim the remote controller directly at the remote sensor on the main unit. Make sure there is no obstacle in between.



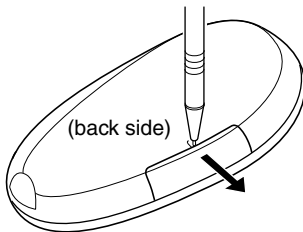
- Do not expose the remote sensor to strong light (direct sunlight or artificial lighting).

Installing the battery

When the controllable range or effectiveness of the remote controller decreases, replace the battery.

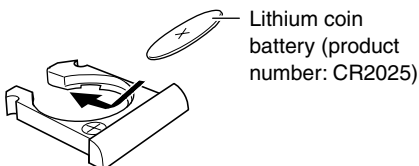
1. Remove the battery holder.

- 1) Push out the battery holder in the direction indicated by the arrow using a ball point pen or a similar tool.
- 2) Remove the battery holder.



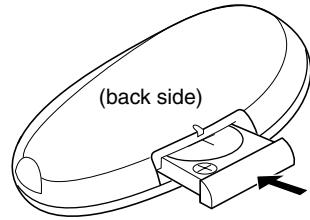
2. Place the battery.

Slide the battery into the holder with the + side facing upwards so that the battery is fixed in the holder.



3. Return the battery holder.

Insert again the battery holder by pushing it until you hear a clicking sound.

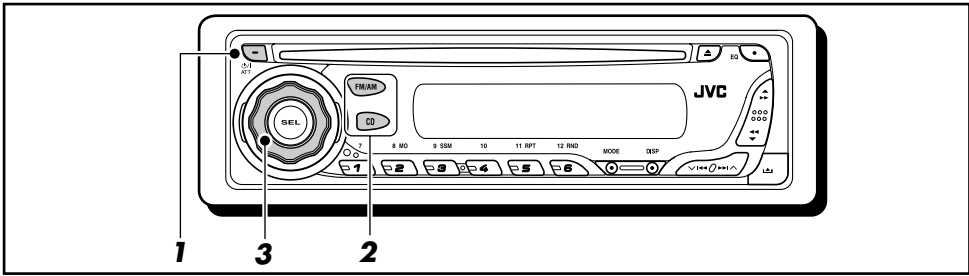


WARNING:

- Store the battery in a place which children cannot reach.
If a child accidentally swallows the battery, immediately consult a doctor.
- Do not recharge, short, disassemble or heat the battery or dispose of in a fire.
Doing any of these things may cause the battery to give off heat, crack or start a fire.
- Do not leave the battery with other metallic materials.
Doing this may cause the battery to give off heat, crack or start a fire.
- When throwing away or saving the battery, wrap in tape and insulate; otherwise, it may cause the battery to give off heat, crack or start a fire.
- Do not poke the battery with tweezers or similar tools.
Doing this may cause the battery to give off heat, crack or start a fire.

CAUTION:

DO NOT leave the remote controller in a place (such as dashboards) exposed to direct sunlight for a long time. Otherwise, it may be damaged.



Turning on the power

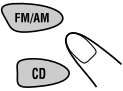
1 Turn on the power.



Note on One-Touch Operation:

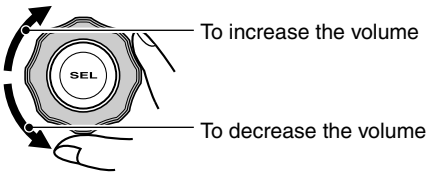
When you select a source in step 2 below, the power automatically comes on. You do not have to press this button to turn on the power.

2 Select the source.

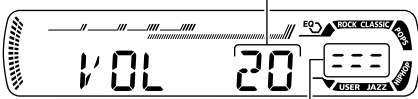


To operate the tuner (FM or AM),
see pages 10 – 13.
To play a CD,
see pages 14 – 16.

3 Adjust the volume.



Volume level appears.



Volume level indicator

4 Adjust the sound as you want. (See pages 17 and 18.)

To drop the volume in a moment

Press P/I ATT briefly while listening to any source. "ATT" starts flashing on the display, and the volume level will drop in a moment.

To resume the previous volume level, press the button briefly again.

- If you turn the control dial, you can also restore the sound.

To turn off the power

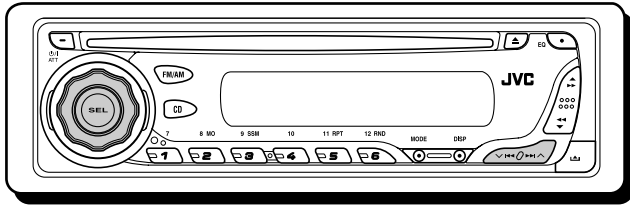
Press and hold P/I ATT for more than one second.

"SEE YOU" appears, then the unit turns off.

- **If you turn off the power while listening to a CD,** CD play will start from where playback has been stopped previously, next time you turn on the power.

CAUTION on Volume Setting:

CDs produce very little noise compared with other sources. If the volume level is adjusted for the tuner, for example, the speakers may be damaged by the sudden increase in the output level. Therefore, lower the volume before playing a CD and adjust it as required during playback.



Canceling the display demonstration

When shipped from the factory, display demonstration has been activated, and starts automatically when no operations are done for about 20 seconds.

- It is recommended to cancel the display demonstration before you use the unit for the first time.

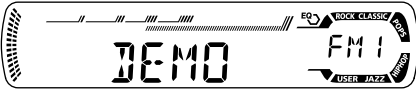
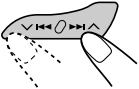
To cancel the display demonstration, follow the procedure below:

1 Press and hold SEL (select) for more than 2 seconds.

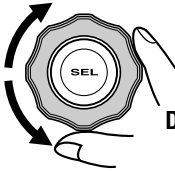
“DEMO”, “CLOCK H”, “CLOCK M”, “DIMMER”, or “AMP GAIN” appears on the display.



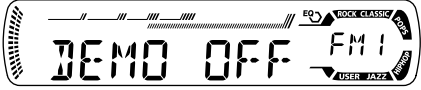
2 Select “DEMO” if not shown on the display.



3 Select “DEMO OFF.”



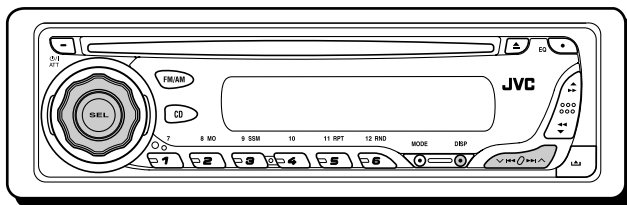
DEMO OFF ↔ DEMO ON



4 Finish the setting.



To activate the display demonstration, repeat the same procedure and select “DEMO ON” in step 3.



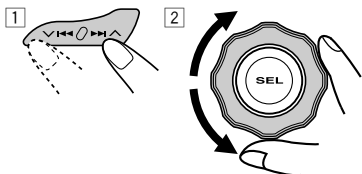
Setting the clock

- 1** Press and hold SEL (select) for more than 2 seconds.
 "DEMO", "CLOCK H", "CLOCK M", "DIMMER", or "AMP GAIN" appears on the display.



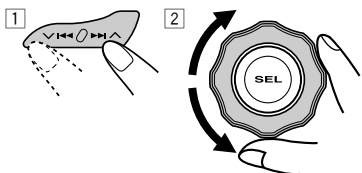
2 Set the hour.

- 1 Select "CLOCK H" (hour) if not shown on the display.
- 2 Adjust the hour.



3 Set the minute.

- 1 Select "CLOCK M" (minute).
- 2 Adjust the minute.



4 Finish the setting.



To check the current clock time or change the display mode



Press DISP (display) repeatedly. Each time you press the button, the display changes as follows:

- During tuner operation:

Frequency ↔ Clock

- During CD operation:

Elapsed playing time ↔ Clock

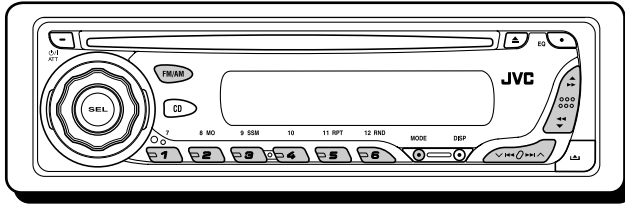
- During power off:

The power turns on and the clock time is shown for 5 seconds, then the power turns off.



RADIO OPERATIONS

ENGLISH



Listening to the radio

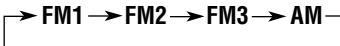
You can use either automatic searching or manual searching to tune in to a particular station.

Searching for a station automatically: Auto search

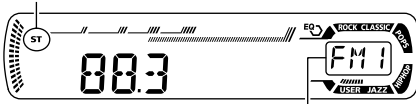
1 Select the band (FM1 – 3, AM).



Each time you press the button, the band changes as follows:



Lights up when receiving an FM stereo broadcast with sufficient signal strength.

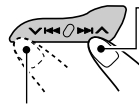


Selected band appears.

Note:

This receiver has three FM bands (FM1, FM2, FM3). You can use any one of them to listen to an FM broadcast.

2 Start searching for a station.



To search for stations of higher frequencies

To search for stations of lower frequencies

When a station is received, searching stops.

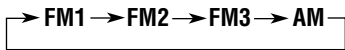
To stop searching before a station is received, press the same button you have pressed for searching.

Searching for a station manually: Manual search

1 Select the band (FM1 – 3, AM).



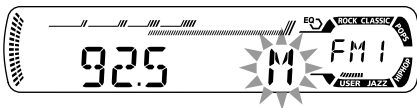
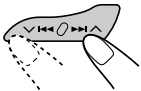
Each time you press the button, the band changes as follows:



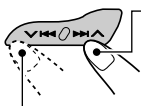
Note:

This receiver has three FM bands (FM1, FM2, FM3). You can use any one of them to listen to an FM broadcast.

2 Press and hold **▶▶** **▲** or **▼** **◀◀** until “M” (manual) starts flashing on the display.



3 Tune in to a station you want while “M” (manual) is still flashing.



To tune in to stations of higher frequencies

To tune in to stations of lower frequencies

- If you release your finger from the button, the manual mode will automatically turn off after 5 seconds.
- If you hold down the button, the frequency keeps changing (in 200 kHz intervals for FM and 10 kHz for AM) until you release the button.

When an FM stereo broadcast is hard to receive

MODE



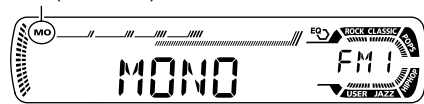
- 1 Press MODE to enter the functions mode while listening to an FM stereo broadcast.

8 MO



- 2 Press MO (monaural), while “MODE” is still flashing on the display, so that “MONO” appears on the display. Each time you press the button, monaural mode turns on and off alternately.

MO (monaural) indicator



When the MO indicator is lit on the display, the sound you hear becomes monaural but the reception will be improved.



Storing stations in memory

You can use one of the following two methods to store broadcasting stations in memory.

- Automatic preset of FM stations: SSM (Strong-station Sequential Memory)
- Manual preset of both FM and AM stations

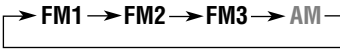
FM station automatic preset: SSM

You can preset 6 local FM stations in each FM band (FM1, FM2, and FM3).

1 Select the FM band (FM1 – 3) you want to store FM stations into.



Each time you press the button, the band changes as follows:



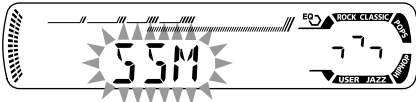
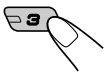
2 Press MODE to enter the functions mode.

MODE



3 Press and hold SSM for about 2 seconds.

9 SSM



“SSM” flashes, then disappears when automatic preset is over.

Local FM stations with the strongest signals are searched and stored automatically in the band number you have selected (FM1, FM2, or FM3). These stations are preset in the number buttons—No.1 (lowest frequency) to No.6 (highest frequency).

When automatic preset is over, the station stored in number button 1 will be automatically tuned in.

Manual preset

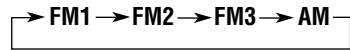
You can preset up to 6 stations in each band (FM1, FM2, FM3, and AM) manually.

Ex.: Storing FM station of 92.5 MHz into the preset number 1 of the FM1 band.

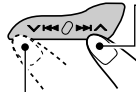
1 Select the band (FM1 – 3, AM) you want to store stations into (in this example, FM1).



Each time you press the button, the band changes as follows:

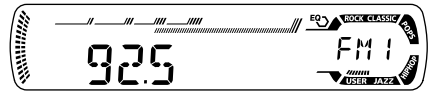


2 Tune in to a station (in this example, of 92.5 MHz).



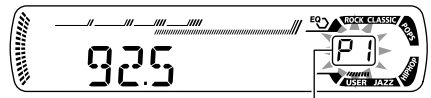
To tune in to stations of higher frequencies

To tune in to stations of lower frequencies



3 Press and hold the number button (in this example, 1) for more than 2 seconds.

7



Preset number flashes for a while.

4 Repeat the above procedure to store other stations into other preset numbers.

Notes:

- A previously preset station is erased when a new station is stored in the same preset number.
- Preset stations are erased when the power supply to the memory circuit is interrupted (for example, during battery replacement). If this occurs, preset the stations again.

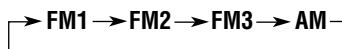
Tuning in to a preset station

You can easily tune in to a preset station. Remember that you must store stations first. If you have not stored them yet, see “Storing stations in memory” on pages 12 and 13.

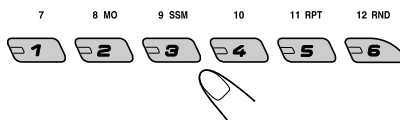
1 Select the band (FM1 – 3, AM).



Each time you press the button, the band changes as follows:



2 Select the number (1 – 6) for the preset station you want.

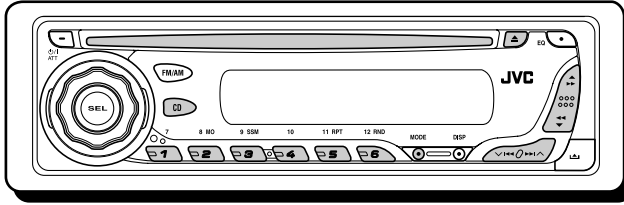


Note:

You can also use the ▲ (up) or ▼ (down) button on the unit to select the next or previous preset stations. Each time you press the ▲ (up) or ▼ (down) button, the next or previous preset station is tuned in.

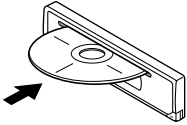


CD OPERATIONS



Playing a CD

Insert a CD into the loading slot.



The unit turns on, draws the CD and starts playback automatically.

Note on One-Touch Operation:

When a CD is already in the loading slot, pressing CD turns on the unit and starts playback automatically.

Note:

When a CD is inserted upside down, "EJECT" appears on the display and the CD automatically ejects.

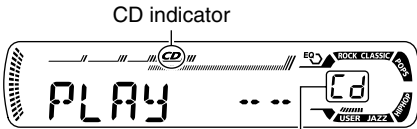
To stop play and eject the CD

Press ▲.

CD play stops and the CD automatically ejects from the loading slot. The source changes to the tuner (you will hear the last received station.)

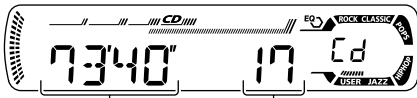
- If you change the source, CD play also stops (without ejecting the CD).

Next time you select "CD" as the source, CD play starts from where playback has been stopped previously.



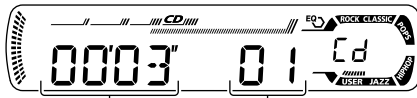
CD indicator

Current source indication



Total playing time of the inserted disc

Total track number of the inserted disc



Elapsed playing time

Current track number

Notes:

- If the ejected CD is not removed for about 15 seconds, the CD is automatically inserted again into the loading slot to protect it from dust. (CD play will not start this time.)
- You can eject the CD even when the unit is turned off.

About mistracking:

Mistracking may result from driving on extremely rough roads. This does not damage the unit and the CD, but will be annoying.

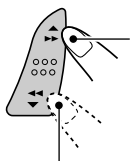
We recommend that you stop CD play while driving on such rough roads.

All tracks will be played repeatedly until you stop playback.



Locating a track or a particular portion on a CD

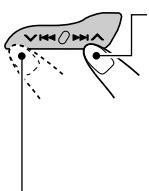
To fast-forward or reverse the track



Press and hold ►►, while playing a CD, to fast-forward the track.

Press and hold ◀◀, while playing a CD, to reverse the track.

To go to the next or previous tracks

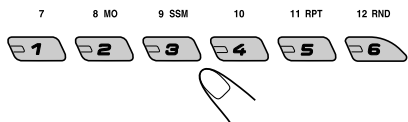


Press ►►|▲ briefly, while playing a CD, to go ahead to the beginning of the next track. Each time you press the button consecutively, the beginning of the next tracks is located and played back.

Press ▼◀◀ briefly, while playing a CD, to go back to the beginning of the current track. Each time you press the button consecutively, the beginning of the previous tracks is located and played back.

To go to a particular track directly

Press the number button corresponding to the track number to start its playback.



- To select a track number from 1 – 6:
Press 1 (7) – 6 (12) briefly.
- To select a track number from 7 – 12:
Press and hold 1 (7) – 6 (12) for more than one second.

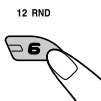
Selecting CD playback modes

To play back tracks at random (Disc Random Play)

You can play back all tracks on the CD at random.

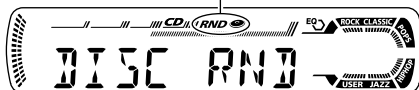


1 Press MODE to enter the functions mode while playing a CD.



2 Press RND (random), while "MODE" is still flashing on the display, so that "DISC RND" appears on the display. Each time you press the button, disc random play mode turns on and off alternately.

RND (random disc) indicator



When disc random play is turned on, the RND indicator lights up on the display. A track randomly selected starts playing.



To play back tracks repeatedly (Track Repeat Play)

You can play back the current track repeatedly.

MODE

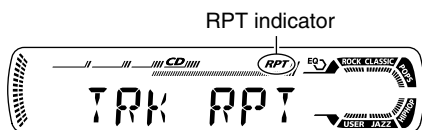


- 1 Press MODE to enter the functions mode while playing a CD.

11 RPT



- 2 Press RPT (repeat), while "MODE" is still flashing on the display, so that "TRK RPT" appears on the display. Each time you press the button, track repeat play mode turns on and off alternately.

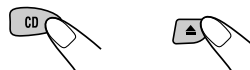


When track repeat play is turned on, the RPT indicator lights up on the display. The current track starts playing repeatedly.

Prohibiting CD ejection

You can prohibit CD ejection and can lock a CD in the loading slot.

While pressing CD, press and hold \blacktriangle for more than 2 seconds.



"NO EJECT" flashes on the display for about 5 seconds, and the CD is locked and cannot be ejected.



To cancel the prohibition and unlock the CD

While pressing CD, press and hold \blacktriangle again for more than 2 seconds.

"EJECT" appears on the display, and the CD ejects from the loading slot.

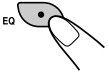




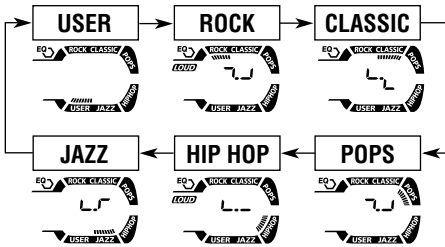
Selecting preset sound modes (C-EQ: custom equalizer)

You can select a preset sound mode (C-EQ: custom equalizer) suitable to the music genre.

Select the sound mode you want.



Each time you press the button, the sound modes change as follows:



Indication pattern changes for each sound mode except for "USER."



Ex.: When you select "ROCK"

Indication	For:	Preset values		
		BAS	TRE	LOUD
USER	(Flat sound)	00	00	OFF
ROCK	Rock or disco music	+03	+01	ON
CLASSIC	Classical music	+01	-02	OFF
POPS	Light music	+04	+01	OFF
HIP HOP	Funk or rap music	+02	00	ON
JAZZ	Jazz music	+02	+03	OFF

Note:

You can adjust each sound mode to your preference. Once you make an adjustment, it is automatically stored for the currently selected sound mode. See "Adjusting the sound" on page 18.



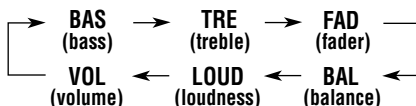
Adjusting the sound

You can adjust the sound characteristics to your preference.

1 Select the item you want to adjust.



Each time you press the button, the adjustable items change as follows:



Indication	To do:	Range
BAS* ¹	Adjust the bass.	-06 (min.) +06 (max.)
TRE* ¹	Adjust the treble.	-06 (min.) +06 (max.)
FAD* ²	Adjust the front and rear speaker balance.	R06 (Rear only) F06 (Front only)
BAL	Adjust the left and right speaker balance.	L06 (Left only) R06 (Right only)
LOUD* ¹	Boost low and high frequencies to produce a well-balanced sound at low volume level.	LOUD ON LOUD OFF
VOL* ³	Adjust the volume.	00 (min.) 30 or 50 (max.)* ⁴

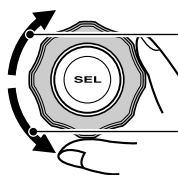
*¹ When you adjust the bass, treble, or loudness, the adjustment you have made is stored for the currently selected sound mode (C-EQ) including "USER".

*² If you are using a two-speaker system, set the fader level to "00".

*³ Normally the control dial works as the volume control. So you do not have to select "VOL" to adjust the volume level.

*⁴ Depending on the amplifier gain control setting. (See page 19 for details).

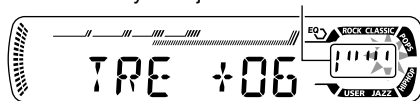
2 Adjust the setting.



To increase the level or turn on the loudness

To decrease the level or turn off the loudness

Indication pattern changes as you adjust the bass or treble.



Ex. 1: When you adjust "TRE" (treble)



Ex. 2: When you turn on the loudness

3 Repeat steps 1 and 2 to adjust the other items.

To reset each sound mode to the factory settings, repeat the same procedure and reassign the preset values listed in the table on page 17.



Selecting the dimmer mode

You can dim the display at night (according to your preference).

When shipped from the factory, dimmer is deactivated.

1 Press and hold SEL (select) for more than 2 seconds.

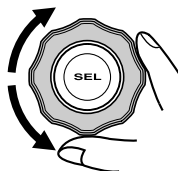
“DEMO”, “CLOCK H”, “CLOCK M”, “DIMMER”, or “AMP GAIN” appears on the display.



2 Select “DIMMER” if not shown on the display.



3 Select the desired mode—“OFF” or “ON.”



- OFF: Cancels the dimmer.
- ON: Activates the dimmer.

4 Finish the setting.



Selecting the amplifier gain control

You can change the maximum volume level of this unit. When the maximum power of the speakers is less than 50 W, select “LOW PWR” to prevent them from being damaged.

When shipped from the factory, “HIGH PWR” is selected.

1 Press and hold SEL (select) for more than 2 seconds.

“DEMO”, “CLOCK H”, “CLOCK M”, “DIMMER”, or “AMP GAIN” appears on the display.



2 Select “AMP GAIN” if not shown on the display.



3 Select the desired mode—“HIGH PWR” or “LOW PWR”.



- LOW PWR: You can adjust the volume level from “VOL 00” to “VOL 30”.
- HIGH PWR: You can adjust the volume level from “VOL 00” to “VOL 50”.

4 Finish the setting.



Note:

If you change the setting from “HIGH PWR” to “LOW PWR” while listening at a volume level more than 30, the unit automatically changes the volume level to “VOL 30”.



Detaching the control panel

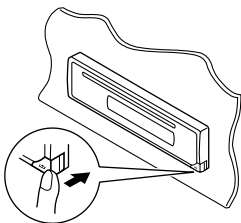
You can detach the control panel when leaving the car.

When detaching or attaching the control panel, be careful not to damage the connectors on the back of the control panel and on the panel holder.

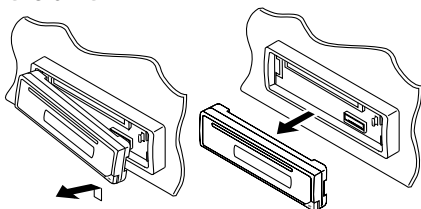
Detaching the control panel

Before detaching the control panel, be sure to turn off the power.

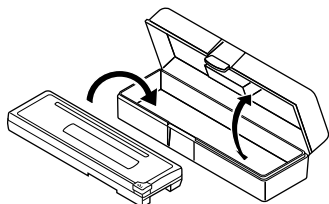
- 1** Unlock the control panel.



- 2** Lift and pull the control panel out of the unit.

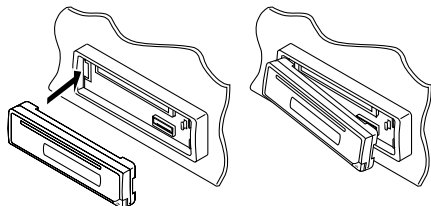


- 3** Put the detached control panel into the provided case.

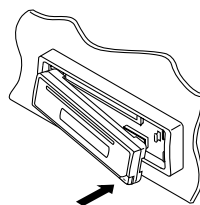


Attaching the control panel

- 1** Insert the left side of the control panel into the groove on the panel holder.

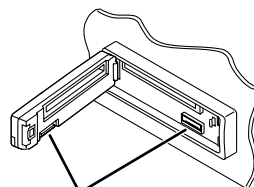


- 2** Press the right side of the control panel to fix it to the panel holder.



Note on cleaning the connectors:

If you frequently detach the control panel, the connectors will deteriorate. To minimize this possibility, periodically wipe the connectors with a cotton swab or cloth moistened with alcohol, being careful not to damage the connectors.



Connectors

TROUBLESHOOTING

What appears to be trouble is not always serious. Check the following points before calling a service center.

	Symptoms	Causes	Remedies
General	<ul style="list-style-type: none"> Sound cannot be heard from the speakers. 	The volume level is set to the minimum level.	Adjust it to the optimum level.
		Connections are incorrect.	Check the cords and connections.
	<ul style="list-style-type: none"> This unit does not work at all. 	The built-in microcomputer may have functioned incorrectly due to noise, etc.	While holding SEL (select), press ϕ /I ATT (standby/on attenuator) for more than 2 seconds to reset the unit. (Your preset adjustments will also be erased.) (See page 2.)
FM/AM	<ul style="list-style-type: none"> SSM (Strong-station Sequential Memory) automatic preset does not work. 	Signals are too weak.	Store stations manually.
	<ul style="list-style-type: none"> Static noise while listening to the radio. 	The antenna is not connected firmly.	Connect the antenna firmly.
CD Playback	<ul style="list-style-type: none"> CD automatically ejects. 	CD is inserted upside down.	Insert the CD correctly.
	<ul style="list-style-type: none"> CD-R/CD-RW cannot be played back. Tracks on the CD-R/CD-RW cannot be skipped. 	CD-R/CD-RW is not finalized.	<ul style="list-style-type: none"> Insert a finalized CD-R/CD-RW. Finalize the CD-R/CD-RW with the component which you used for recording.
		<ul style="list-style-type: none"> CD can be neither played back nor ejected. 	CD is locked.
	The CD player may have functioned incorrectly.		While holding ϕ /I ATT (standby/on attenuator), press \blacktriangle (eject) for more than 2 seconds. Be careful not to drop the CD when it is ejected.
	<ul style="list-style-type: none"> CD sound is sometimes interrupted. 	You are driving on rough roads.	Stop playback while driving on rough roads.
		CD is scratched.	Change the CD.
		Connections are incorrect.	Check the cords and connections.
	<ul style="list-style-type: none"> "NO DISC" appears on the display. 	No CD in the loading slot.	Insert a CD into the loading slot.
CD is inserted incorrectly.		Insert the CD correctly.	



MAINTENANCE

ENGLISH

Handling discs

This unit has been designed to reproduce CDs, CD-Rs (Recordable), and CD-RWs (Rewritable).

- **This unit is not compatible with MP3 discs.**

How to handle discs

When removing a disc from its case, press down the center holder of the case and lift the disc out, holding it by the edges.

- Always hold the disc by the edges. Do not touch its recording surface.

When storing a disc into its case, gently insert the disc around the center holder (with the printed surface facing up).

- Make sure to store discs into the cases after use.

Center holder



To keep discs clean

A dirty disc may not be played correctly. If a disc does become dirty, wipe it with a soft cloth in a straight line from center to edge.



To play new discs

New discs may have some rough spots around the inner and outer edges. If such a disc is used, this unit may reject the disc.

To remove these rough spots, rub the edges with a pencil or ball-point pen, etc.



When playing a CD-R or CD-RW

Before playing back CD-Rs or CD-RWs, read their instructions or cautions carefully.

- Use only "finalized" CD-Rs or CD-RWs.
- Some CD-Rs or CD-RWs may not be played back on this unit because of their disc characteristics, and for the following reasons:
 - Discs are dirty or scratched.
 - Moisture condensation on the lens inside the unit.
 - The pickup lens inside the unit is dirty.
- CD-RWs may require a longer readout time since the reflectance of CD-RWs is lower than that of regular CDs.
- CD-Rs or CD-RWs are susceptible to high temperatures or high humidity, so do not leave them inside your car.
- Do not use following CD-Rs or CD-RWs:
 - Discs with stickers, labels, or protective seal stuck to the surface.
 - Discs on which labels can be directly printed by an ink jet printer.

Using these discs under high temperatures or high humidity may cause malfunctions or damage to discs. For example,

- Stickers or labels may shrink and warp a disc.
- Stickers or labels may be peeled off so discs cannot be ejected.
- Print on discs may get sticky.

Read instructions or cautions about labels and printable discs carefully.

CAUTIONS:

- Do not insert 8 cm (3 3/16") discs (single CDs) into the loading slot. (Such discs cannot be ejected.)
- Do not insert any disc of unusual shape—like a heart or flower; otherwise, it will cause a malfunction.
- Do not expose discs to direct sunlight or any heat source or place them in a place subject to high temperature and humidity. Do not leave them in a car.
- Do not use any solvent (for example, conventional record cleaner, spray, thinner, benzine, etc.) to clean discs.

Moisture condensation

Moisture may condense on the lens inside the CD player in the following cases:

- After starting the heater in the car.
- If it becomes very humid inside the car.

Should this occur, the CD player may malfunction. In this case, eject the disc and leave the unit turned on for a few hours until the moisture evaporates.

Warped disc



Sticker



Sticker residue

Disc



Stick-on label

AUDIO AMPLIFIER SECTION

Power Output:

18 W RMS \times 4 Channels at 4 Ω
and \leq 1 % THD + N

Signal to Noise Ratio:

80 dBA (reference: 1 W into 4 Ω)



Load Impedance: 4 Ω (4 Ω to 8 Ω allowance)

Tone Control Range:

Bass: \pm 10 dB at 100 Hz

Treble: \pm 10 dB at 10 kHz

Frequency Response: 40 Hz to 20 000 Hz

Line-Out Level/Impedance:

2.5 V/20 k Ω load (full scale)

Output Impedance: 1 k Ω

TUNER SECTION

Frequency Range:

FM: 87.5 MHz to 107.9 MHz

AM: 530 kHz to 1 710 kHz

[FM Tuner]

Usable Sensitivity:

11.3 dBf (1.0 μ V/75 Ω)

50 dB Quieting Sensitivity:

16.3 dBf (1.8 μ V/75 Ω)

Alternate Channel Selectivity (400 kHz):

65 dB

Frequency Response: 40 Hz to 15 000 Hz

Stereo Separation: 35 dB

Capture Ratio: 1.5 dB

[AM Tuner]

Sensitivity: 20 μ V

Selectivity: 35 dB

CD PLAYER SECTION

Type: Compact disc player

Signal Detection System: Non-contact optical pickup (semiconductor laser)

Number of channels: 2 channels (stereo)

Frequency Response: 5 Hz to 20 000 Hz

Dynamic Range: 96 dB

Signal-to-Noise Ratio: 98 dB

Wow and Flutter: Less than measurable limit

GENERAL

Power Requirement:

Operating Voltage:

DC 14.4 V (11 V to 16 V allowance)

Grounding System: Negative ground

Allowable Operating Temperature:

0°C to +40°C (32°F to 104°F)

Dimensions (W \times H \times D):

Installation Size (approx.):

182 mm \times 52 mm \times 150 mm

(7-3/16" \times 2-1/16" \times 5-15/16")

Panel Size (approx.):

188 mm \times 58 mm \times 11 mm

(7-7/16" \times 2-5/16" \times 7/16")

Mass (approx.):

1.3 kg (2.9 lbs) (excluding accessories)

Design and specifications are subject to change without notice.

If a kit is necessary for your car, consult your telephone directory for the nearest car audio speciality shop.



**Having TROUBLE with operation?
Please reset your unit**

Refer to page of How to Reset
Still having trouble??

USA ONLY

Call 1-800-252-5722

<http://www.jvc.com>

We can help you!

JVC



JVC KD-AR260/KD-G210

Installation/Connection Manual

Manual de instalación/conexión

Manuel d'installation/raccordement

GET0246-002A
[J]

0904DTSINTJEIN
EN, SP, FR

ENGLISH

This unit is designed to operate on **12 V DC, NEGATIVE ground electrical systems**. If your vehicle does not have this system, a voltage inverter is required, which can be purchased at JVC car audio dealers.

ESPAÑOL

Esta unidad está diseñada para funcionar con **12 V de CC, con sistemas eléctricos de masa NEGATIVA**. Si su vehículo no posee este sistema, será necesario un inversor de tensión, que puede ser adquirido en los concesionarios de JVC de equipos de audio para automóviles.

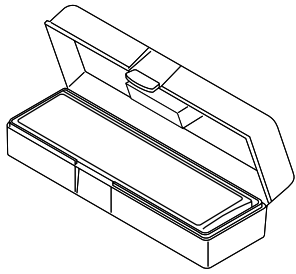
FRANÇAIS

Cet appareil est conçu pour fonctionner sur des sources de courant continu de **12 V à masse NEGATIVE**. Si votre véhicule n'offre pas ce type d'alimentation, il vous faut un convertisseur de tension, que vous pouvez acheter chez un revendeur d'autoradios JVC.

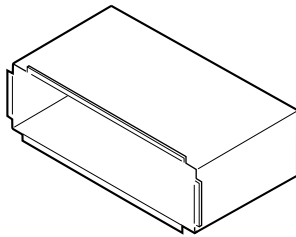
Parts list for installation and connection

The following parts are provided for this unit.
After checking them, please set them correctly.

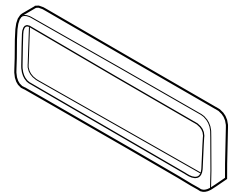
(A) / (B)
Hard case/Control panel
Estuche duro/Panel de control
Etui de transport/Panneau de commande



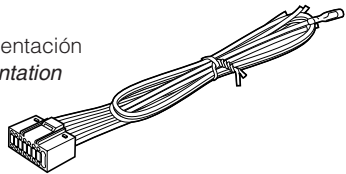
(C)
Sleeve
Cubierta
Manchon



(D)
Trim plate
Placa de guarnición
Plaque d'assemblage



(E)
Power cord
Cordón de alimentación
Cordon d'alimentation



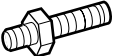
(F)
Washer (ø5)
Arandela (ø5)
Rondelle (ø5)



(G)
Lock nut (M5)
Tuerca de seguridad (M5)
Ecrou d'arrêt (M5)



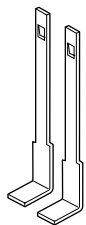
(H)
Mounting bolt (M5 x 20 mm)
Perno de montaje (M5 x 20 mm)
Boulon de montage (M5 x 20 mm)



(I)
Rubber cushion
Cojín de goma
Amortisseur en caoutchouc



(J)
Handles
Manijas
Poignées



(K)
Remote controller
Mando a distancia
Télécommande



(L)
Battery
Pila
Pile



CR2025

INSTALLATION (IN-DASH MOUNTING)

The following illustration shows a typical installation. If you have any questions or require information regarding installation kits, consult your JVC car audio dealer or a company supplying kits.

- If you are not sure how to install this unit correctly, have it installed by a qualified technician.

INSTALACION (MONTAJE EN EL TABLERO DE INSTRUMENTOS)

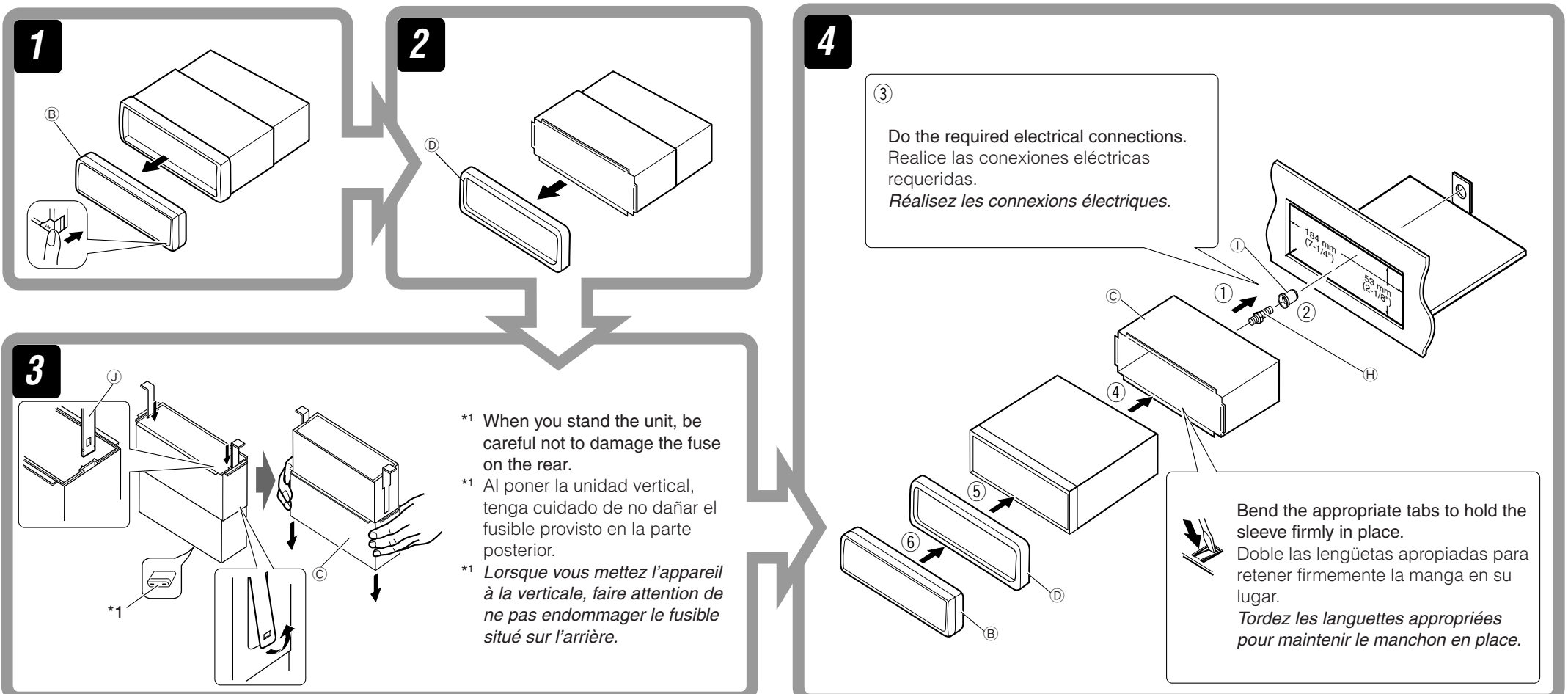
La siguiente ilustración muestra una instalación típica. Si tiene alguna pregunta o necesita información acerca de las herramientas para instalación, consulte con su concesionario de JVC de equipos de audio para automóviles o a una compañía que suministra tales herramientas.

- Si usted no está seguro de cómo instalar correctamente la unidad, hágala instalar por un técnico cualificado.

INSTALLATION (MONTAGE DANS LE TABLEAU DE BORD)

L'illustration suivante est un exemple d'installation typique. Si vous avez des questions ou avez besoin d'information sur des kits d'installation, consulter votre revendeur d'autoradios JVC ou une compagnie d'approvisionnement.

- Si l'on n'est pas sûr de pouvoir installer correctement cet appareil, le faire installer par un technicien qualifié.



Removing the unit

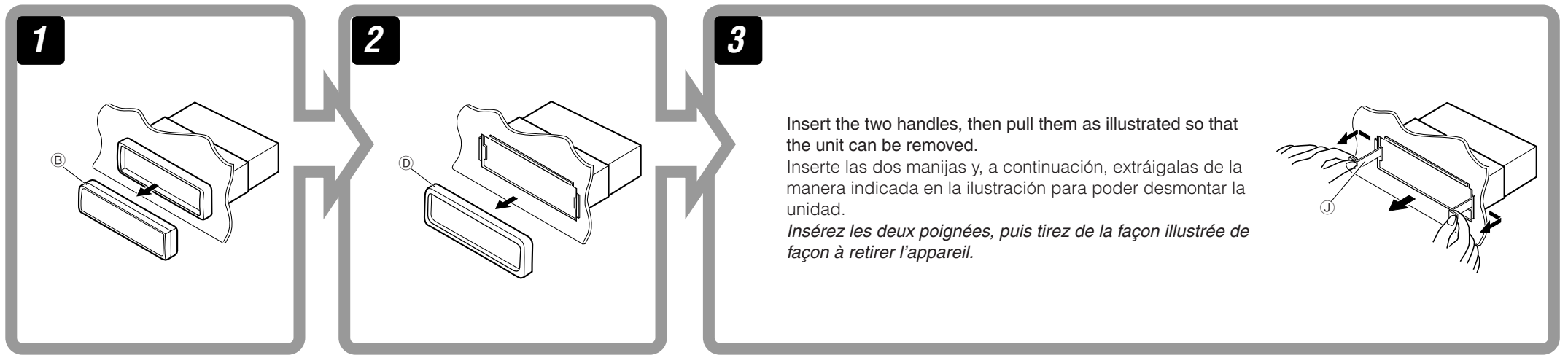
Before removing the unit, release the rear section.

Extracción de la unidad

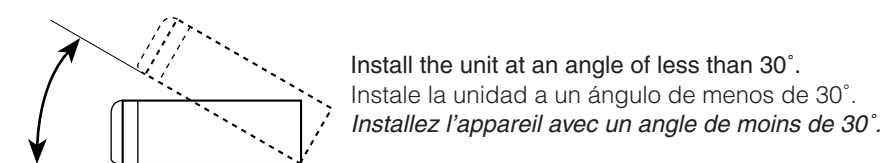
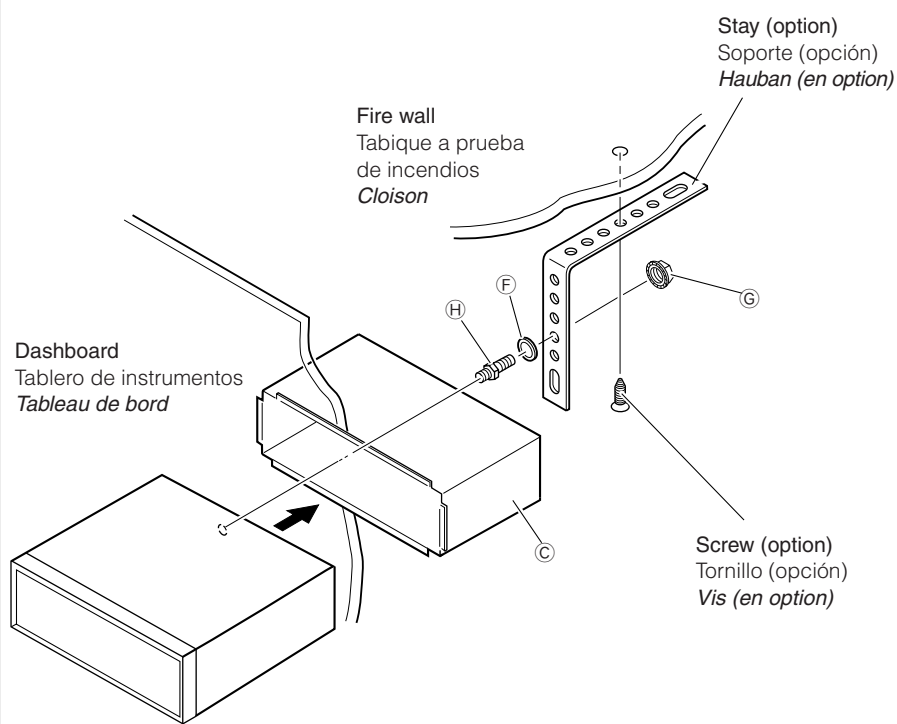
Antes de extraer la unidad, libere la sección trasera.

Retrait de l'appareil

Avant de retirer l'appareil, libérer la section arrière.



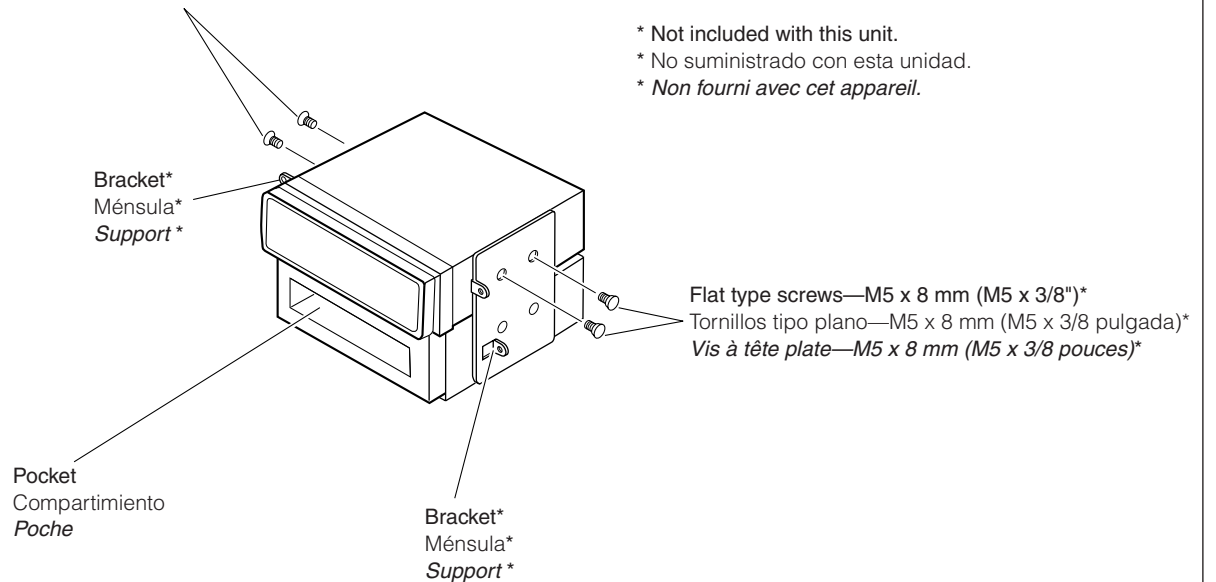
When using the optional stay / Cuando emplea un soporte opcional / Lors de l'utilisation du hauban en option



When installing the unit without using the sleeve / Instalación de la unidad sin utilizar la manga / Lors de l'installation de l'appareil sans utiliser de manchon

In a Toyota for example, first remove the car radio and install the unit in its place.
En un Toyota por ejemplo, primero retire la radio del automóvil y luego instale la unidad en su lugar.
Par exemple dans une Toyota, retirer d'abord l'autoradio et installer l'appareil à la place.

Flat type screws—M5 x 8 mm (M5 x 3/8")*
Tornillos tipo plano—M5 x 8 mm (M5 x 3/8 pulgada)*
Vis à tête plate—M5 x 8 mm (M5 x 3/8 pouces)*



* Not included with this unit.
* No suministrado con esta unidad.
* Non fourni avec cet appareil.

Note : When installing the unit on the mounting bracket, make sure to use the 8 mm (3/8")-long screws. If longer screws are used, they could damage the unit.
Nota : Cuando instala la unidad en la ménsula de montaje, asegúrese de utilizar los tornillos de 8 mm (3/8 pulgada) de longitud. Si se utilizan tornillos más largos, éstos pueden dañar la unidad.
Remarque : Lors de l'installation de l'appareil sur le support de montage, s'assurer d'utiliser des vis d'une longueur de 8 mm (3/8 pouces). Si des vis plus longues sont utilisées, elles peuvent endommager l'appareil.

TROUBLESHOOTING

- **The fuse blows.**
* Are the red and black leads connected correctly?
- **Power cannot be turned on.**
* Is the yellow lead connected?
- **No sound from the speakers.**
* Is the speaker output lead short-circuited?
- **Sound is distorted.**
* Is the speaker output lead grounded?
* Are the “-” terminals of L and R speakers grounded in common?
- **Noise interfere with sounds.**
* Is the rear ground terminal connected to the car's chassis using shorter and thicker cords?
- **Unit becomes hot.**
* Is the speaker output lead grounded?
* Are the “-” terminals of L and R speakers grounded in common?
- **This receiver does not work at all.**
* Have you reset your receiver?

LOCALIZACION DE AVERIAS

- **El fusible se quema.**
* ¿Están los conductores rojo y negro correctamente conectados?
- **No es posible conectar la alimentación.**
* ¿Está el cable amarillo conectado?
- **No sale sonido de los altavoces.**
* ¿Está el cable de salida del altavoz cortocircuitado?
- **El sonido presenta distorsión.**
* ¿Está el cable de salida del altavoz conectado a masa?
* ¿Están los terminales “-” de los altavoces L y R conectados a una masa común?
- **Perturbación de ruido.**
* ¿El terminal de tierra trasero está conectado al chasis del automóvil utilizando los cordones más corto y más grueso?
- **La unidad se calienta.**
* ¿Está el cable de salida del altavoz conectado a masa?
* ¿Están los terminales “-” de los altavoces L y R conectados a una masa común?
- **Este receptor no funciona en absoluto.**
* ¿Reinicializó el receptor?

EN CAS DE DIFFICULTES

- **Le fusible saute.**
* Les fils rouge et noir sont-ils raccordés correctement?
- **L'appareil ne peut pas être mise sous tension.**
* Le fil jaune est-elle raccordée?
- **Pas de son des enceintes.**
* Le fil de sortie d'enceinte est-il court-circuité?
- **Le son est déformé.**
* Le fil de sortie d'enceinte est-il à la masse?
* Les bornes “-” des enceintes gauche et droit sont-elles mises ensemble à la masse?
- **Interférence avec les sons.**
* La prise arrière de mise à la terre est-elle connectée au châssis de la voiture avec un cordon court et épais?
- **L'appareil devient chaud.**
* Le fil de sortie d'enceinte est-il à la masse?
* Les bornes “-” des enceintes gauche et droit sont-elles mises ensemble à la masse?
- **Cet appareil ne fonctionne pas du tout.**
* Avez-vous réinitialisé votre appareil?

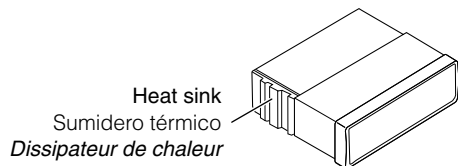
ELECTRICAL CONNECTIONS

To prevent short circuits, we recommend that you disconnect the battery's negative terminal and make all electrical connections before installing the unit.

- **Be sure to ground this unit to the car's chassis again after installation.**

Notes:

- Replace the fuse with one of the specified rating. If the fuse blows frequently, consult your JVC car audio dealer.
- It is recommended to connect to the speakers with maximum power of more than 50 W (both at the rear and at the front, with an impedance of 4 Ω to 8 Ω). If the maximum power is less than 50 W, change "AMP GAIN" setting to prevent the speakers from being damaged (see page 19 of the INSTRUCTIONS).
- To prevent short-circuit, cover the terminals of the UNUSED leads with insulating tape.
- The heat sink becomes very hot after use. Be careful not to touch it when removing this unit.



CONEXIONES ELECTRICAS

Para evitar cortocircuitos, recomendamos que desconecte el terminal negativo de la batería y que efectúe todas las conexiones eléctricas antes de instalar la unidad.

- **Asegúrese de volver a conectar a masa esta unidad al chasis del automóvil después de la instalación.**

Notas:

- Reemplace el fusible por uno con la corriente especificada. Si el fusible se quemase frecuentemente consulte con su concesionario de JVC de equipos de audio para automóviles.
- Se recomienda conectar los altavoces con una potencia máxima de más de 50 W (tanto atrás como adelante, con una impedancia de 4 Ω a 8 Ω). Si la potencia máxima es de menos de 50 W, cambie "AMP GAIN" para evitar daños en los altavoces (consulte la página 19 del MANUAL DE INSTRUCCIONES).
- Para evitar cortocircuitos, cubra los cables NO UTILIZADOS con cinta aislante.
- El sumidero térmico estará muy caliente después del uso. Asegúrese de no tocarlo al desmontar esta unidad.

RACCORDEMENTS ELECTRIQUES

Pour éviter tout court-circuit, nous vous recommandons de débrancher la borne négative de la batterie et d'effectuer tous les raccordements électriques avant d'installer l'appareil.

- **Assurez-vous de raccorder de nouveau la mise à la masse de cet appareil au châssis de la voiture après l'installation.**

Remarques:

- Remplacer le fusible par un de la valeur précisée. Si le fusible saute souvent, consulter votre revendeur d'autoradios JVC.
- Il est recommandé de connecter des enceintes avec une puissance de plus de 50 W (les enceintes arrière et les enceintes avant, avec une impédance comprise entre 4 Ω et 8 Ω). Si la puissance maximum est inférieure à 50 W, changez "AMP GAIN" pour éviter d'endommager vos enceintes (voir page 19 du MANUEL D'INSTRUCTIONS).
- Pour éviter les court-circuits, couvrir les bornes des fils qui ne sont PAS UTILISÉS avec de la bande isolante.
- Le dissipateur de chaleur devient très chaud après usage. Faire attention de ne pas le toucher en retirant cet appareil.

A Typical Connections / Conexiones típicas / Raccordements typiques

Before connecting: Check the wiring in the vehicle carefully. Incorrect connection may cause serious damage to this unit. The leads of the power cord and those of the connector from the car body may be different in color.

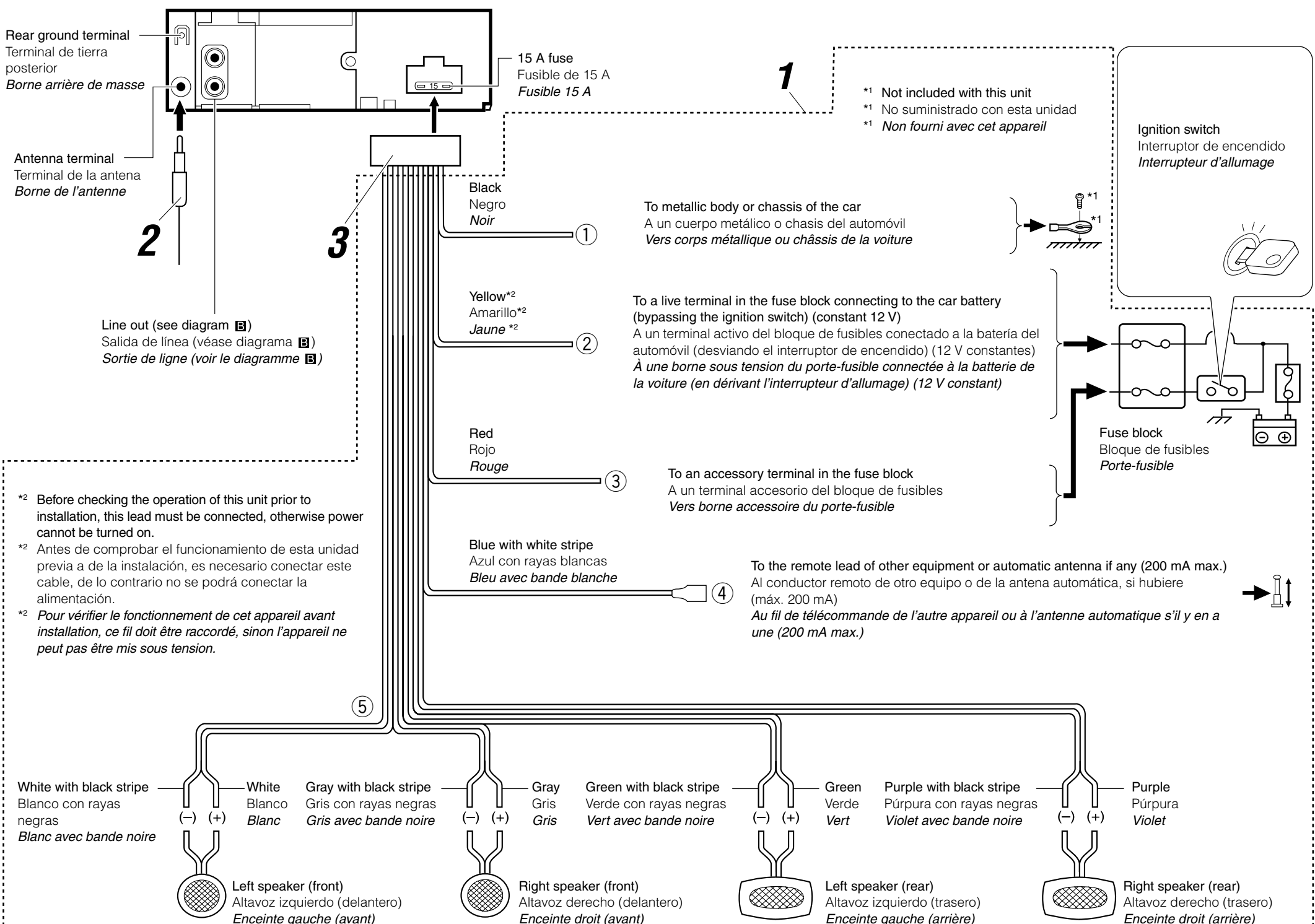
- 1 Connect the colored leads of the power cord in the order specified in the illustration below.
- 2 Connect the antenna cord.
- 3 Finally connect the wiring harness to the unit.

Antes de la conexión: Verifique atentamente el conexionado del vehículo. Una conexión incorrecta podría producir daños graves en la unidad. Los cordones del cable de alimentación y los del conector procedentes de la carrocería del automóvil podrían ser de diferentes en color.

- 1 Conecte los conductores de color del cable de alimentación en el orden especificado en la ilustración de abajo.
- 2 Conecte el cable de antena.
- 3 Por último, conecte el cable de alimentación a la unidad.

Avant de commencer la connexion: Vérifiez attentivement le câblage du véhicule. Une connexion incorrecte peut endommager sérieusement l'appareil. Le fil du cordon d'alimentation et ceux des connecteurs du châssis de la voiture peuvent être différents en couleur.

- 1 Connectez les fils colorés du cordon d'alimentation dans l'ordre spécifié sur l'illustration ci-dessous.
- 2 Connectez le cordon d'antenne.
- 3 Finalement, connectez le faisceau de fils à l'appareil.



Amplifier / Amplificador / Amplificateur

You can connect an amplifier to upgrade your car stereo system.

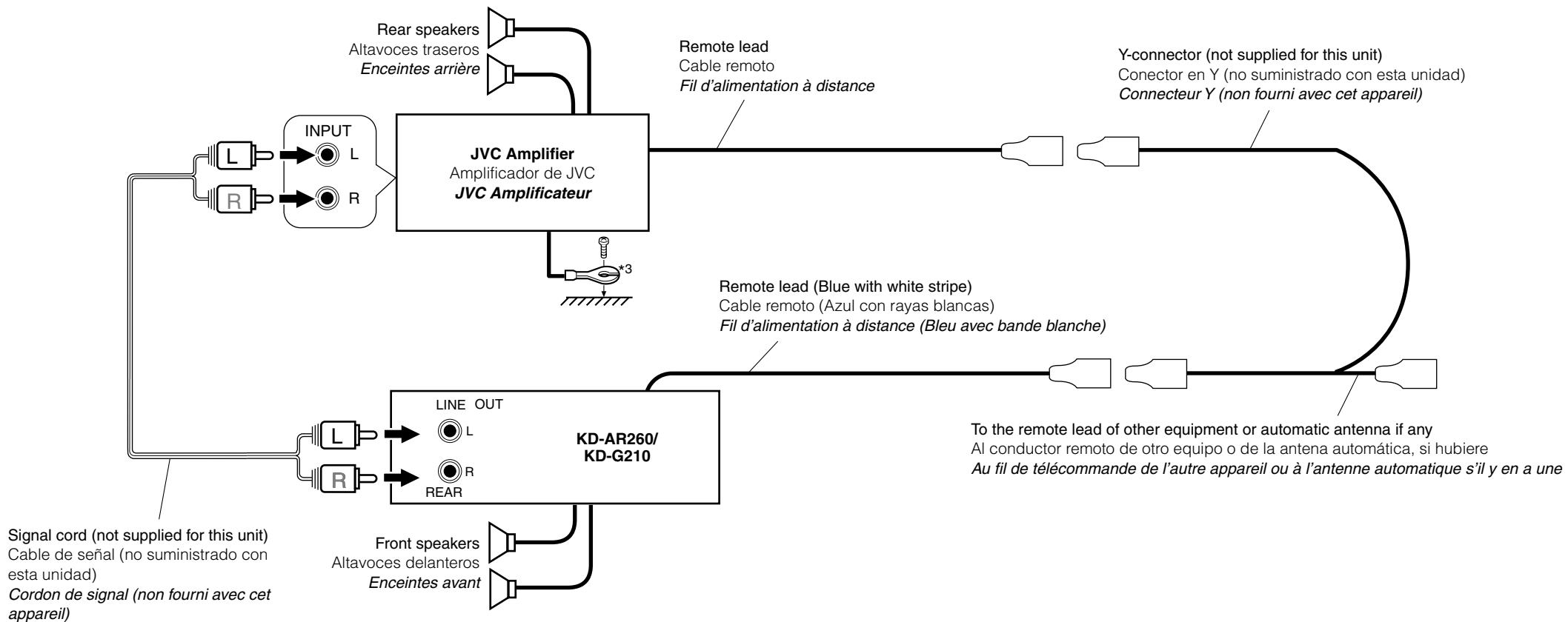
- Connect the remote lead (blue with white stripe) to the remote lead of the other equipment so that it can be controlled through this unit.
- **Disconnect the speakers from this unit, connect them to the amplifier. Leave the speaker leads of this unit unused.**

Usted podrá conectar un amplificador para mejorar el sistema estéreo de su automóvil.

- Conecte el conductor remoto (azul con rayas blancas) al conductor remoto del otro equipo para poderlo controlar a través de esta unidad.
- **Desconecte los altavoces de esta unidad y conéctelos al amplificador. Los cables de los altavoces de esta unidad quedan sin usar.**

Vous pouvez connecter un amplificateur pour améliorer votre système autoradio.

- Connectez le fil de commande à distance (bleu avec bande blanche) au fil de commande à distance de l'autre appareil de façon qu'il puisse être commandé via cet appareil.
- **Déconnectez les enceintes de cet appareil et connectez-les à l'amplificateur. Laissez les fils d'enceintes de cet appareil inutilisés.**



*3 Firmly attach the ground wire to the metallic body or to the chassis of the car—to the place not coated with paint (if coated with paint, remove the paint before attaching the wire). Failure to do so may cause damage to the unit.

*3 Fije firmemente el cable de tierra a la carrocería metálica o al chasis—a un lugar no cubierto con pintura (si está cubierto con pintura, quítela antes de fijar el cable). De lo contrario, se podrían producir daños en la unidad.

*3 Attachez solidement le fil de mise à la masse au châssis métallique de la voiture—à un endroit qui n'est pas recouvert de peinture (s'il est recouvert de peinture, enlevez d'abord la peinture avant d'attacher le fil). L'appareil peut être endommagé si cela n'est pas fait correctement.

PRECAUTIONS on power supply and speaker connections:

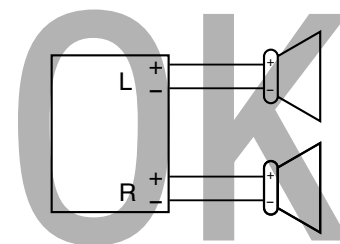
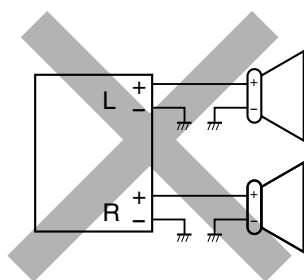
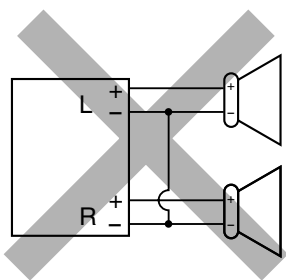
- **DO NOT** connect the speaker leads of the power cord to the car battery; otherwise, the unit will be seriously damaged.
- **BEFORE** connecting the speaker leads of the power cord to the speakers, check the speaker wiring in your car.

PRECAUCIONES sobre las conexiones de la fuente de alimentación y de los altavoces:

- **NO** conecte los conductores de altavoz del cable de alimentación a la batería de automóvil, pues podrían producirse graves daños en la unidad.
- **ANTES** de conectar a los altavoces los conductores de altavoz del cable de alimentación, verifique el conexionado de altavoz de su automóvil.

PRECAUTIONS sur l'alimentation et la connexion des enceintes:

- **NE CONNECTEZ PAS** les fils d'enceintes du cordon d'alimentation à la batterie; sinon, l'appareil serait sérieusement endommagé.
- **AVANT** de connecter les fils d'enceintes du cordon d'alimentation aux enceintes, vérifiez le câblage des enceintes de votre voiture.



PARTS LIST

[KD-AR260]
[KD-G210]

* All printed circuit boards and its assemblies are not available as service parts.

Area suffix

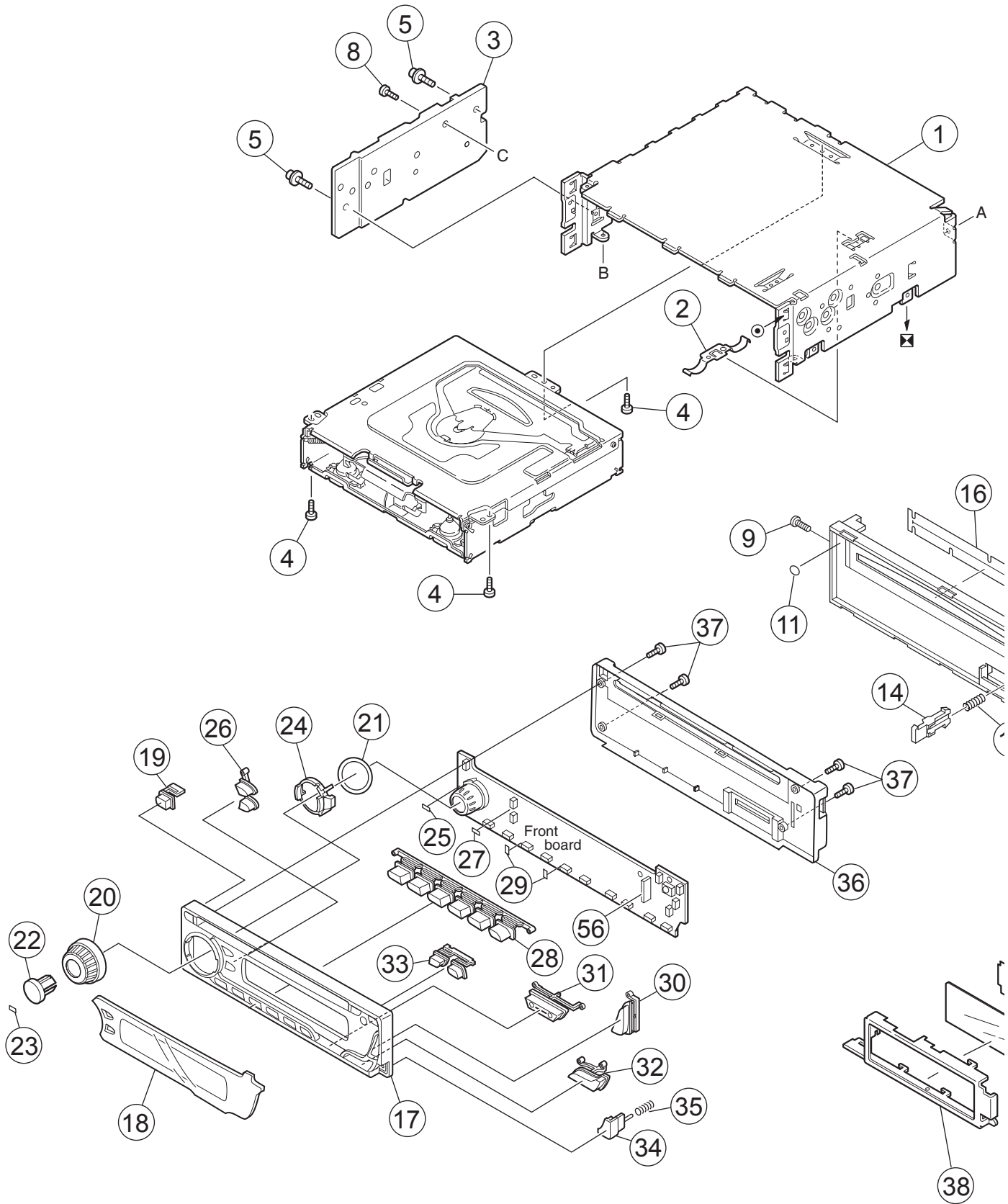
J ----- Northern America

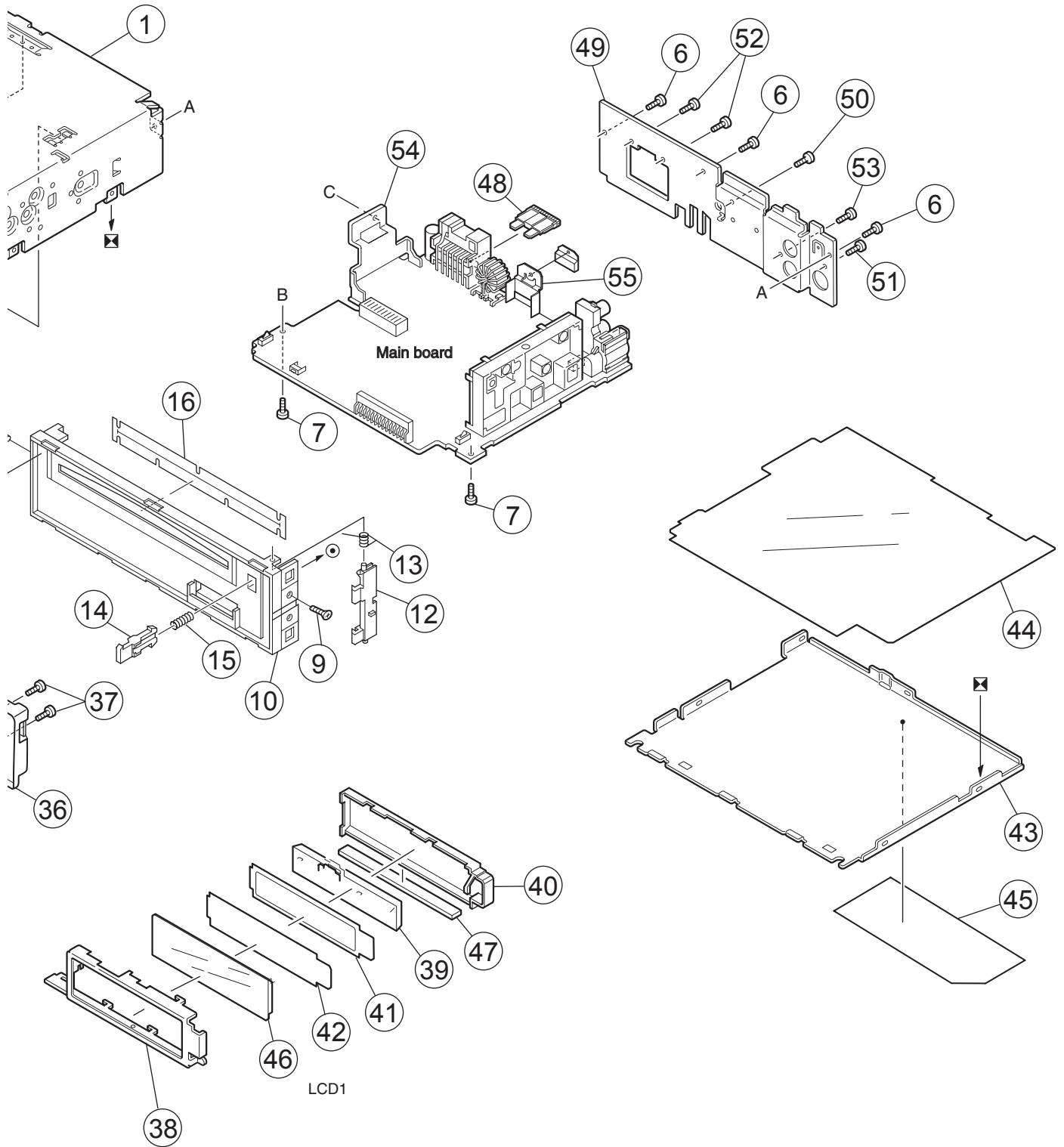
- Contents -

Exploded view of general assembly and parts list (Block No.M1)	3-2
CD mechanism assembly and parts list (Block No.MB)	3-5
Electrical parts list (Block No.01~02)	3-7
Packing materials and accessories parts list (Block No.M3)	3-12

Exploded view of general assembly and parts list

Block No. **M 1 M M**





General Assembly

Block No. [M][1][M][M]

Symbol No.	Part No.	Part Name	Description	Local
1	GE10043-210A	TOP CHASSIS		
2	GE40135-001A	EARTH PLATE		
3	GE30938-003A	SIDE PANEL		
4	QYSDST2604ZA	TAP SCREW	M2.6 x 4mm(x3)	
5	GE40235-001A	SCREW	(x2)	
6	QYSDST2604ZA	TAP SCREW	M2.6 x 4mm(x3)	
7	GE40235-004A	SCREW	(x2)	
8	QYSDST2610ZA	TAP SCREW	M2.6 x 10mm	
9	QYSDST2004ZA	TAP SCREW	M2 x 4mm(x2)	
10	GE10079-007A	FRONT CHASSIS		
11	FSYH4036-098	SHEET		
12	GE31033-001A	LOCK LEVER		
13	FSKW4005-003	TORSION SPRING		
14	GE31034-001A	RLS KNOB		
15	GE40202-005A	COMPRESSION SPRING		
16	GE40156-001A	BLIND		
17	GE10077-003A	FRONT PANEL		AR260
17	GE10077-007A	FRONT PANEL		G210
18	GE31031-049A	FINDER ASSY		AR260
18	GE31031-048A	FINDER ASSY		G210
19	GE31027-001A	POWER BUTTON		
20	GE31576-001A	VOLUME KNOB		
21	GE40218-002A	SHEET		
22	GE31039-003A	SEL BUTTON		
23	FSYH4036-053	SHEET		
24	GE31040-001A	RIM LENS		
25	FSYH4036-069	SHEET		
26	GE31181-002A	D.FUNC BTN		AR260
26	GE31181-001A	D.FUNC BTN		G210
27	FSYH4036-069	SHEET		
28	GE20161-002A	PRESET BUTTON		AR260
28	GE20161-001A	PRESET BUTTON		G210
29	FSYH4036-069	SHEET	(x2)	
30	GE31024-004A	UP/DOWN BTN		AR260
30	GE31024-002A	UP/DOWN BTN		G210
31	GE31028-003A	SSM BTN		
32	GE31025-002A	SEARCH BTN		AR260
32	GE31025-001A	SEARCH BTN		G210
33	GE31026-001A	EJECT BUTTON		
34	GE31032-003A	DETACH BTN		AR260
34	GE31032-008A	DETACH BTN		G210
35	GE40202-003A	COMPRESSION SPRING		
36	GE10078-007A	REAR COVER		
37	VKZ4777-010	MINI SCREW	(x4)	
38	GE31021-001A	LCD CASE		
39	GE31022-002A	LCD LENS		
40	GE31023-001A	LENS CASE		
41	GE40199-001A	LIGHTING SHEET		
42	GE40199-002A	LIGHTING SHEET		
43	GE30393-002A	BOTTOM COVER		
44	FSMA3004-203	INSULATOR		
45	GE31422-001A	NAME PLATE		AR260
45	GE31416-001A	NAME PLATE		G210
46	QLD0299-001	LCD MODULE		AR260
46	QLD0323-001	LCD MODULE		G210
47	QNZ0443-001	LCD CONNECTOR		
48	QMFZ047-150-T	FUSE	15A	
49	GE30912-021A	REAR BRACKET		
50	QYSDST2606ZA	TAP SCREW	M2.6 x 6mm	
51	QYSDST2606ZA	TAP SCREW	M2.6 x 6mm	
52	QYSDSF2606ZA	TAP SCREW	M2.6 x 6mm(x2)	
53	QYSDSF2606ZA	TAP SCREW	M2.6 x 6mm	
54	GE40172-004A	IC BRACKET		
55	GE40124-002A	REG BRACKET		
56	GE30854-001A	LED HOLDER		

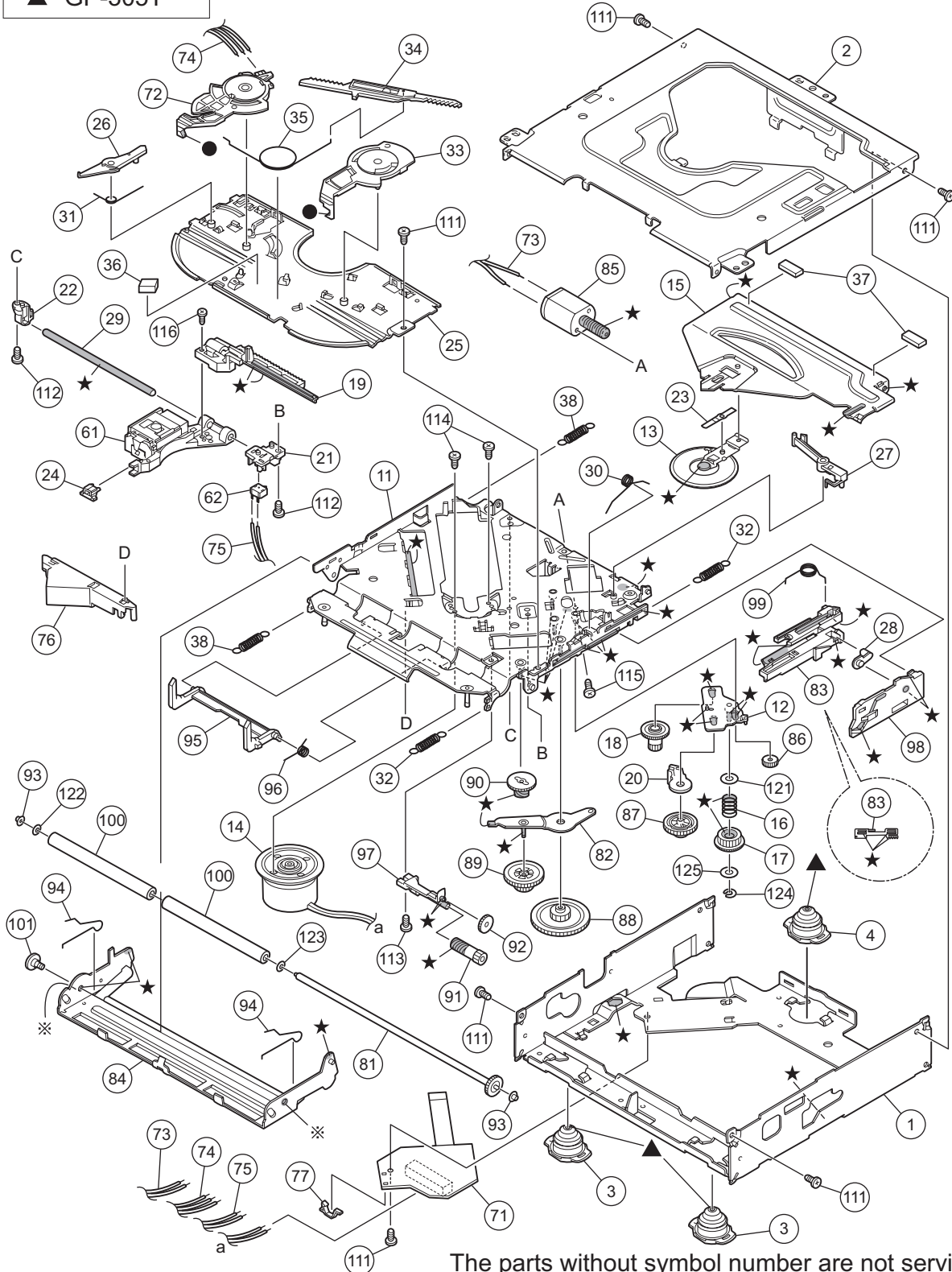
CD mechanism assembly and parts list

Block No. **M B M M**

Grease

- ★ TNG-87
- ※ GP-501MK
- CFD-005Z
- ▲ GP-305T

TN-2001-1011



The parts without symbol number are not service.

CD mechanism

Block No. [M][B][M][M]

△	Symbol No.	Part No.	Part Name	Description	Local
	1	30320101T	FRAME		
	2	30320102T	TOP COVER		
	3	30320115T	DANPER F		
	4	30320116T	DANPER R		
	11	303205505T	CHASSIS RIVET		
	12	303205503T	CHANGE P. RVT A		
	13	303205301T	CLAMPER ASS'Y		
	14	303205302T	SPINDLE MOTOR A		
	15	30320502T	CLAMPER ARM		
	16	30320503T	CHANGE GEAR SPG		
	17	30320505T	CHANGE GEAR 2		
	18	30320506T	FEED GEAR		
	19	30320507T	FEED RACK		
	20	30320509T	CHANGE LOCK RAR		
	21	30320510T	FEED SW HOLDER		
	22	30320511T	PU SHAFT HOLDER		
	23	30320513T	CLAMPER SUB SPG		
	24	30320514T	FD SUB HOLDER		
	25	30320518T	TOP PLATE		
	26	30320519T	SELECT LOCK ARM		
	27	30320520T	TRIGGER ARM		
	28	30320521T	SLIDE HOOK		
	29	30320522T	PU SHAFT		
	30	30320525T	CLAMPER ARM SPG		
	31	30320526T	SELECT L ARM SP		
	32	30320538T	SUSPENSION SP R		
	33	30320529T	SELECT ARM R		
	34	30320530T	LINK PLATE		
	35	30320531T	LINK PLATE SPG		
	36	30320523T	CUSHION F		
	37	30320524T	CUSHION R		
	38	30320539T	SUSPENSION SP L		
	61	69011614T	PICKUP OPT-725		
	62	64180406T	DET SW ESE22		
	71	303210301T	CONN PWB ASS'Y		
	72	30321002T	MODE SW		
	73	30321003T	LOAD MOTOR WIRE		
	74	30321005T	MODE SW WIRE		
	75	30321009T	SL WIRE		
	76	30321011T	WIRE HOLDER		
	77	19501403T	WIRE CLUMPER		
	81	303211301T	ROLLER SHAFT AS		
	82	303211501T	L GEAR PLATE RV		
	83	303211302T	LOADING PLATE A		
	84	303211502T	LOCK ARM RV ASS		
	85	303211303T	L/F MOTOR ASSY		
	86	30321101T	LOADING GEAR 1		
	87	30321102T	LOADING GEAR 2		
	88	30321103T	LOADING GEAR 3		
	89	30321104T	LOADING GEAR 4		
	90	30321105T	LOADING GEAR 5		
	91	30321106T	LOADING GEAR 6		
	92	30321107T	LOADING GEAR 7		
	93	30321111T	ROLLER GUIDE		
	94	30321114T	ROLLER GUIDE SP		
	95	30321116T	DISC STOPPER AR		
	96	30321117T	DISC ST ARM SPG		
	97	30321118T	LD GEAR BRACKET		
	98	30321125T	L SIDE PLATE		
	99	30321131T	LOAD PLATE SPG		
	100	30321133T	LDG ROLLER		
	101	18211223T	COLLAR SCREW		
	111	9P0420031T	SCREW		
	112	9P0420041T	TAP.SCREW		
	113	9B0320041T	SCREW		
	114	9C0117183T	SCREW		
	115	9C0120203T	SCREW		
	116	9C0317503T	SCREW		
	121	9W0130170T	PW 3.5X8X0.3		
	122	9W0513060T	HL WASHER		
	123	9W0710070T	L WASHER		
	124	9E0100152T	E RING		
	125	9W0113020T	PW 2.1X4X0.13		

Electrical parts list

Main board

Block No. [0][1]					Symbol No.	Part No.	Part Name	Description	Local
△	Symbol No.	Part No.	Part Name	Description	Local				
	IC151	NJM4565M-WE	IC			C310	NCB31HK-103X	C CAPACITOR	0.01uF 50V K
	IC301	TEA6320T-X	IC			C311	QEKJ1AM-107Z	E CAPACITOR	100uF 10V M
	IC321	LA47515	IC			C312	QEKJ1CM-476Z	E CAPACITOR	47uF 16V M
	IC501	AN22002A-W	IC			C313	NCB31EK-103X	C CAPACITOR	0.01uF 25V K
	IC541	LA6242H-X	IC			C319	NDC31HJ-101X	C CAPACITOR	100pF 50V J
	IC561	MN6627482WA	IC			C320	NDC31HJ-101X	C CAPACITOR	100pF 50V J
	IC801	JES01-9C70	IC			C321	QERF1CM-107Z	E CAPACITOR	100uF 16V M
	IC901	HA13164A	IC			C327	QERF1HM-335Z	E CAPACITOR	3.3uF 50V M
	Q321	UN2211-X	TRANSISTOR			C328	QEKJ1CM-476Z	E CAPACITOR	47uF 16V M
	Q332	KTD1304-X	TRANSISTOR			C329	QEKJ1EM-475Z	E CAPACITOR	4.7uF 25V M
	Q432	KTD1304-X	TRANSISTOR			C330	NCB31HK-223X	C CAPACITOR	0.022uF 50V K
	Q501	2SA2093/QR/-T	TRANSISTOR			C331	NCB31HK-223X	C CAPACITOR	0.022uF 50V K
	Q541	2SA2093/QR/-T	TRANSISTOR			C332	NCB31EK-104X	C CAPACITOR	0.1uF 25V K
	Q701	UN2211-X	TRANSISTOR			C333	NCB31EK-104X	C CAPACITOR	0.1uF 25V K
	Q731	2SD601A/QR/-X	TRANSISTOR			C334	QFV91HJ-474Z	MF CAPACITOR	0.47uF 50V J
	Q732	2SD601A/QR/-X	TRANSISTOR			C335	QFV91HJ-474Z	MF CAPACITOR	0.47uF 50V J
	Q791	2SB624/4/-X	TRANSISTOR			C338	QEKJ1HM-105Z	E CAPACITOR	1uF 50V M
	Q792	2SB709A/QR/-X	TRANSISTOR			C339	QEKJ1HM-105Z	E CAPACITOR	1uF 50V M
	Q793	UN2211-X	TRANSISTOR			C402	NCB31HK-822X	C CAPACITOR	8200pF 50V K
	Q861	UN2111-X	TRANSISTOR			C403	NCB31CK-224X	C CAPACITOR	0.22uF 16V K
	Q902	2SD601A/QR/-X	TRANSISTOR			C404	NCB31CK-224X	C CAPACITOR	0.22uF 16V K
	Q903	2SB709A/QR/-X	TRANSISTOR			C405	NCB21HK-333X	C CAPACITOR	0.033uF 50V K
	D321	1SS133-T2	SI DIODE			C406	NCB31HK-562X	C CAPACITOR	5600pF 50V K
	D332	MA111-X	SI DIODE			C407	QERF1EM-475Z	E CAPACITOR	4.7uF 25V M
	D333	MA111-X	SI DIODE			C408	QERF1EM-475Z	E CAPACITOR	4.7uF 25V M
	D551	1A3G-T1	SI DIODE			C419	NDC31HJ-101X	C CAPACITOR	100pF 50V J
	D701	1SS133-T2	SI DIODE			C420	NDC31HJ-101X	C CAPACITOR	100pF 50V J
	D702	1SS133-T2	SI DIODE			C427	QEKJ1CM-226Z	E CAPACITOR	22uF 16V M
	D791	MA111-X	SI DIODE			C432	NCB31EK-104X	C CAPACITOR	0.1uF 25V K
	D792	MA111-X	SI DIODE			C433	NCB31EK-104X	C CAPACITOR	0.1uF 25V K
	D810	MA111-X	SI DIODE			C434	QFV91HJ-474Z	MF CAPACITOR	0.47uF 50V J
	D821	MA8062/M/-X	Z DIODE			C435	QFV91HJ-474Z	MF CAPACITOR	0.47uF 50V J
	D822	MA8062/M/-X	Z DIODE			C501	NCB31EK-104X	C CAPACITOR	0.1uF 25V K
	D823	MA8062/M/-X	Z DIODE			C502	QEKJ1CM-106Z	E CAPACITOR	10uF 16V M
	D824	MA8062/M/-X	Z DIODE			C504	QEKJ1AM-107Z	E CAPACITOR	100uF 10V M
	D825	MA8062/M/-X	Z DIODE			C506	NDC31HJ-680X	C CAPACITOR	68pF 50V J
	D826	MA8062/M/-X	Z DIODE			C507	NCB31AK-334X	C CAPACITOR	0.33uF 10V K
	D827	MA8062/M/-X	Z DIODE			C508	NCB31EK-104X	C CAPACITOR	0.1uF 25V K
	D828	MA8062/M/-X	Z DIODE			C510	NCB31EK-393X	C CAPACITOR	0.039uF 25V K
	D829	MA8062/M/-X	Z DIODE			C511	NCB31HK-272X	C CAPACITOR	2700pF 50V K
	D830	MA8062/M/-X	Z DIODE			C512	NCB31HK-272X	C CAPACITOR	2700pF 50V K
	D861	MA8047/M/-X	DIODE			C513	NDC31HJ-151X	C CAPACITOR	150pF 50V J
	D866	MA111-X	SI DIODE			C514	NCB31EK-563X	C CAPACITOR	0.056uF 25V K
	D867	MA111-X	SI DIODE			C515	NCB31EK-104X	C CAPACITOR	0.1uF 25V K
	D868	MA111-X	SI DIODE			C516	QEKJ1AM-107Z	E CAPACITOR	100uF 10V M
	D869	MA111-X	SI DIODE			C518	NCB31EK-473X	C CAPACITOR	0.047uF 25V K
	D901	1N5401-F64	DIODE			C519	NCB31EK-473X	C CAPACITOR	0.047uF 25V K
	D903	1SS133-T2	SI DIODE			C520	NDC31HJ-101X	C CAPACITOR	100pF 50V J
	D904	RB160M-30-X	SB DIODE			C521	NCB31HK-271X	C CAPACITOR	270pF 50V K
	D905	RB160M-30-X	SB DIODE			C522	NCB31HK-223X	C CAPACITOR	0.022uF 50V K
	C101	QERF1HM-105Z	E CAPACITOR	1uF 50V M		C523	NCB31HK-223X	C CAPACITOR	0.022uF 50V K
	C151	NCB31HK-102X	C CAPACITOR	1000pF 50V K		C524	NCB31EK-333X	C CAPACITOR	0.033uF 25V K
	C152	QTE1H54-225Z	E CAPACITOR	2.2uF 50V		C525	NCB31EK-333X	C CAPACITOR	0.033uF 25V K
	C153	NDC31HJ-151X	C CAPACITOR	150pF 50V J		C540	NDC31HJ-680X	C CAPACITOR	68pF 50V J
	C155	QEKJ0JM-476Z	E CAPACITOR	47uF 6.3V M		C541	NBE20JM-476X	TA E CAPACITOR	47uF 6.3V M
	C201	QERF1HM-105Z	E CAPACITOR	1uF 50V M		C542	NCB31EK-332X	C CAPACITOR	3300pF 25V K
	C251	NCB31HK-102X	C CAPACITOR	1000pF 50V K		C543	NCB31EK-333X	C CAPACITOR	0.033uF 25V K
	C252	QTE1H54-225Z	E CAPACITOR	2.2uF 50V		C544	NBE41AM-476X	TA E CAPACITOR	47uF 10V M
	C253	NDC31HJ-151X	C CAPACITOR	150pF 50V J		C545	NCB31EK-103X	C CAPACITOR	0.01uF 25V K
	C255	QERF0JM-476Z	E CAPACITOR	47uF 6.3V M		C546	NDC31HJ-680X	C CAPACITOR	68pF 50V J
	C256	QERF1AM-107Z	E CAPACITOR	100uF 10V M		C551	QERF1AM-227Z	E CAPACITOR	220uF 10V M
	C302	NCB31HK-822X	C CAPACITOR	8200pF 50V K		C552	NCB31EK-103X	C CAPACITOR	0.01uF 25V K
	C303	NCB31CK-224X	C CAPACITOR	0.22uF 16V K		C555	NCB31EK-473X	C CAPACITOR	0.047uF 25V K
	C304	NCB31CK-224X	C CAPACITOR	0.22uF 16V K		C556	NCB31EK-473X	C CAPACITOR	0.047uF 25V K
	C305	NCB21HK-333X	C CAPACITOR	0.033uF 50V K		C557	NCB31EK-473X	C CAPACITOR	0.047uF 25V K
	C306	NCB31HK-562X	C CAPACITOR	5600pF 50V K		C558	NCB31EK-473X	C CAPACITOR	0.047uF 25V K
	C307	QERF1EM-475Z	E CAPACITOR	4.7uF 25V M		C561	NCB31EK-104X	C CAPACITOR	0.1uF 25V K
	C308	QERF1EM-475Z	E CAPACITOR	4.7uF 25V M		C562	NCB31AK-334X	C CAPACITOR	0.33uF 10V K
	C309	QEKJ1AM-107Z	E CAPACITOR	100uF 10V M		C563	NCB31HK-471X	C CAPACITOR	470pF 50V K
						C564	NCB31EK-223X	C CAPACITOR	0.022uF 25V K
						C565	NCB31EK-104X	C CAPACITOR	0.1uF 25V K
						C566	NCB31EK-104X	C CAPACITOR	0.1uF 25V K
						C567	QERF1AM-107Z	E CAPACITOR	100uF 10V M
						C568	NCB31EK-104X	C CAPACITOR	0.1uF 25V K
						C571	NCB31EK-104X	C CAPACITOR	0.1uF 25V K
						C572	QEKJ1AM-107Z	E CAPACITOR	100uF 10V M

△ Symbol No.	Part No.	Part Name	Description	Local	△ Symbol No.	Part No.	Part Name	Description	Local
C573	QERF1AM-227Z	E CAPACITOR	220uF 10V M		R401	NRSA63J-223X	MG RESISTOR	22kΩ 1/16W J	
C574	NCB31EK-103X	C CAPACITOR	0.01uF 25V K		R402	NRSA63J-222X	MG RESISTOR	2.2kΩ 1/16W J	
C576	NDC31HJ-101X	C CAPACITOR	100pF 50V J		R403	NRSA63J-473X	MG RESISTOR	47kΩ 1/16W J	
C577	NCB31EK-104X	C CAPACITOR	0.1uF 25V K		R404	NRSA63J-473X	MG RESISTOR	47kΩ 1/16W J	
C578	NCB31EK-104X	C CAPACITOR	0.1uF 25V K		R407	NRSA63J-273X	MG RESISTOR	27kΩ 1/16W J	
C579	NCB31HK-102X	C CAPACITOR	1000pF 50V K		R408	NRSA63J-273X	MG RESISTOR	27kΩ 1/16W J	
C701	QERF1AM-476Z	E CAPACITOR	47uF 10V M		R433	NRSA63J-102X	MG RESISTOR	1kΩ 1/16W J	
C702	QEKJ1HM-104Z	E CAPACITOR	0.1uF 50V M		R434	NRSA63J-101X	MG RESISTOR	100Ω 1/16W J	
C703	QERF1HM-104Z	E CAPACITOR	0.1uF 50V M		R436	NRSA63J-222X	MG RESISTOR	2.2kΩ 1/16W J	
C706	NCB31HK-682X	C CAPACITOR	6800pF 50V K		R501	NRSA02J-220X	MG RESISTOR	22Ω 1/10W J	
C707	NCB31HK-682X	C CAPACITOR	6800pF 50V K		R502	NRSA02J-220X	MG RESISTOR	22Ω 1/10W J	
C709	NCB31EK-273X	C CAPACITOR	0.027uF 25V K		R503	NRS181J-393X	MG RESISTOR	39kΩ 1/8W J	
C710	NCB31EK-273X	C CAPACITOR	0.027uF 25V K		R504	NRSA63J-392X	MG RESISTOR	3.9kΩ 1/16W J	
C711	NCB31EK-103X	C CAPACITOR	0.01uF 25V K		R505	NRSA63J-224X	MG RESISTOR	220kΩ 1/16W J	
C712	QEKJ1HM-104Z	E CAPACITOR	0.1uF 50V M		R506	NRSA63J-563X	MG RESISTOR	56kΩ 1/16W J	
C714	NDC31HJ-121X	C CAPACITOR	120pF 50V J		R508	NRSA63J-274X	MG RESISTOR	270kΩ 1/16W J	
C717	NDC31HJ-221X	C CAPACITOR	220pF 50V J		R509	NRSA63J-393X	MG RESISTOR	39kΩ 1/16W J	
C718	NCB31EK-223X	C CAPACITOR	0.022uF 25V K		R510	NRSA63J-823X	MG RESISTOR	82kΩ 1/16W J	
C720	QERF1AM-227Z	E CAPACITOR	220uF 10V M		R511	NRSA63J-224X	MG RESISTOR	220kΩ 1/16W J	
C725	NCB31EK-103X	C CAPACITOR	0.01uF 25V K		R512	NRSA63J-473X	MG RESISTOR	47kΩ 1/16W J	
C731	QERF1HM-225Z	E CAPACITOR	2.2uF 50V M		R513	NRS181J-473X	MG RESISTOR	47kΩ 1/8W J	
C732	NCB31HK-102X	C CAPACITOR	1000pF 50V K		R516	NRS181J-623X	MG RESISTOR	62kΩ 1/8W J	
C733	QERF1AM-227Z	E CAPACITOR	220uF 10V M		R524	NRSA63J-332X	MG RESISTOR	3.3kΩ 1/16W J	
C801	QEKJ0JM-227Z	E CAPACITOR	220uF 6.3V M		R525	NRSA63J-152X	MG RESISTOR	1.5kΩ 1/16W J	
C802	NCB31EK-103X	C CAPACITOR	0.01uF 25V K		R526	NRSA63J-120X	MG RESISTOR	12Ω 1/16W J	
C803	NDC31HJ-220X	C CAPACITOR	22pF 50V J		R541	NRSA63J-682X	MG RESISTOR	6.8kΩ 1/16W J	
C804	NDC31HJ-330X	C CAPACITOR	33pF 50V J		R542	NRSA63J-561X	MG RESISTOR	560Ω 1/16W J	
C805	NCB31CK-683X	C CAPACITOR	0.068uF 16V K		R543	NRSA63J-473X	MG RESISTOR	47kΩ 1/16W J	
C807	QERF1CM-106Z	E CAPACITOR	10uF 16V M		R544	NRSA63J-152X	MG RESISTOR	1.5kΩ 1/16W J	
C821	NCB31EK-104X	C CAPACITOR	0.1uF 25V K		R545	NRSA63J-202X	MG RESISTOR	2kΩ 1/16W J	
C822	NCB31EK-104X	C CAPACITOR	0.1uF 25V K		R546	NRSA63J-183X	MG RESISTOR	18kΩ 1/16W J	
C823	NCB31EK-104X	C CAPACITOR	0.1uF 25V K		R547	NRSA63J-274X	MG RESISTOR	270kΩ 1/16W J	
C824	NCB31HK-221X	C CAPACITOR	220pF 50V K		R548	NRSA63J-562X	MG RESISTOR	5.6kΩ 1/16W J	
C861	QEKJ0JM-227Z	E CAPACITOR	220uF 6.3V M		R550	NRSA63J-123X	MG RESISTOR	12kΩ 1/16W J	
C862	NCB31EK-823X	C CAPACITOR	0.082uF 25V K		R551	NRSA63J-202X	MG RESISTOR	2kΩ 1/16W J	
C901	QEZ0676-338	E CAPACITOR	3300uF		R552	NRSA63J-183X	MG RESISTOR	18kΩ 1/16W J	
C902	NCB31HK-103X	C CAPACITOR	0.01uF 50V K		R553	NRS181J-0R0X	MG RESISTOR	0Ω 1/8W J	
C903	QEKJ1CM-226Z	E CAPACITOR	22uF 16V M		R554	NRS181J-513X	MG RESISTOR	51kΩ 1/8W J	
C904	QERF1CM-226Z	E CAPACITOR	22uF 16V M		R555	NRS181J-332X	MG RESISTOR	3.3kΩ 1/8W J	
C905	QERF1CM-226Z	E CAPACITOR	22uF 16V M		R557	NRSA02J-151X	MG RESISTOR	150Ω 1/10W J	
C906	NCB31EK-104X	C CAPACITOR	0.1uF 25V K		R558	NRSA63J-103X	MG RESISTOR	10kΩ 1/16W J	
C907	NCB31HK-103X	C CAPACITOR	0.01uF 50V K		R560	NRS181J-101X	MG RESISTOR	100Ω 1/8W J	
C908	QERF1AM-107Z	E CAPACITOR	100uF 10V M		R561	NRSA63J-102X	MG RESISTOR	1kΩ 1/16W J	
C909	QERF1AM-107Z	E CAPACITOR	100uF 10V M		R562	NRSA63J-102X	MG RESISTOR	1kΩ 1/16W J	
C910	NCB31HK-103X	C CAPACITOR	0.01uF 50V K		R563	NRSA63J-102X	MG RESISTOR	1kΩ 1/16W J	
C911	QERF1AM-227Z	E CAPACITOR	220uF 10V M		R564	NRSA63J-102X	MG RESISTOR	1kΩ 1/16W J	
C914	NCB31EK-104X	C CAPACITOR	0.1uF 25V K		R567	NRSA63J-102X	MG RESISTOR	1kΩ 1/16W J	
C915	NCB11CK-225X	C CAPACITOR	2.2uF 16V K		R568	NRSA63J-102X	MG RESISTOR	1kΩ 1/16W J	
C916	QERF1HM-225Z	E CAPACITOR	2.2uF 50V M		R569	NRSA63J-102X	MG RESISTOR	1kΩ 1/16W J	
					R570	NRSA63J-102X	MG RESISTOR	1kΩ 1/16W J	
R101	NRSA63J-222X	MG RESISTOR	2.2kΩ 1/16W J		R571	NRS181J-104X	MG RESISTOR	100kΩ 1/8W J	
R102	NRSA63J-392X	MG RESISTOR	3.9kΩ 1/16W J		R573	NRSA63J-124X	MG RESISTOR	120kΩ 1/16W J	
R151	NRSA63J-183X	MG RESISTOR	18kΩ 1/16W J		R574	NRSA63J-471X	MG RESISTOR	470Ω 1/16W J	
R152	NRSA63J-822X	MG RESISTOR	8.2kΩ 1/16W J		R575	NRSA63J-221X	MG RESISTOR	220Ω 1/16W J	
R153	NRSA63J-273X	MG RESISTOR	27kΩ 1/16W J		R576	NRSA63J-0R0X	MG RESISTOR	0Ω 1/16W J	
R154	NRSA63J-223X	MG RESISTOR	22kΩ 1/16W J		R579	NRSA63J-102X	MG RESISTOR	1kΩ 1/16W J	
R155	NRSA63J-152X	MG RESISTOR	1.5kΩ 1/16W J		R581	NRSA63J-0R0X	MG RESISTOR	0Ω 1/16W J	
R156	NRS181J-223X	MG RESISTOR	22kΩ 1/8W J		R582	NRSA63J-102X	MG RESISTOR	1kΩ 1/16W J	
R201	NRSA63J-222X	MG RESISTOR	2.2kΩ 1/16W J		R583	NRSA63J-105X	MG RESISTOR	1MΩ 1/16W J	
R202	NRSA63J-392X	MG RESISTOR	3.9kΩ 1/16W J		R596	NRSA02J-822X	MG RESISTOR	8.2kΩ 1/10W J	
R251	NRSA63J-183X	MG RESISTOR	18kΩ 1/16W J		R701	NRSA63J-102X	MG RESISTOR	1kΩ 1/16W J	
R252	NRSA63J-822X	MG RESISTOR	8.2kΩ 1/16W J		R703	NRSA63J-102X	MG RESISTOR	1kΩ 1/16W J	
R253	NRSA63J-273X	MG RESISTOR	27kΩ 1/16W J		R705	NRSA63J-103X	MG RESISTOR	10kΩ 1/16W J	
R254	NRSA63J-223X	MG RESISTOR	22kΩ 1/16W J		R708	NRS181J-822X	MG RESISTOR	8.2kΩ 1/8W J	
R255	NRSA63J-152X	MG RESISTOR	1.5kΩ 1/16W J		R725	NRSA63J-101X	MG RESISTOR	100Ω 1/16W J	
R256	NRS181J-223X	MG RESISTOR	22kΩ 1/8W J		R733	NRSA63J-103X	MG RESISTOR	10kΩ 1/16W J	
R301	NRSA63J-223X	MG RESISTOR	22kΩ 1/16W J		R734	NRS181J-471X	MG RESISTOR	470Ω 1/8W J	
R302	NRSA63J-222X	MG RESISTOR	2.2kΩ 1/16W J		R735	NRS181J-152X	MG RESISTOR	1.5kΩ 1/8W J	
R303	NRSA63J-473X	MG RESISTOR	47kΩ 1/16W J		R736	NRSA63J-102X	MG RESISTOR	1kΩ 1/16W J	
R304	NRSA63J-473X	MG RESISTOR	47kΩ 1/16W J		R737	NRSA63J-0R0X	MG RESISTOR	0Ω 1/16W J	
R307	NRSA63J-273X	MG RESISTOR	27kΩ 1/16W J		R791	NRSA63J-103X	MG RESISTOR	10kΩ 1/16W J	
R308	NRSA63J-273X	MG RESISTOR	27kΩ 1/16W J		R792	NRSA63J-102X	MG RESISTOR	1kΩ 1/16W J	
R321	NRSA63J-473X	MG RESISTOR	47kΩ 1/16W J		R793	NRSA63J-103X	MG RESISTOR	10kΩ 1/16W J	
R322	NRSA63J-103X	MG RESISTOR	10kΩ 1/16W J		R794	NRSA63J-222X	MG RESISTOR	2.2kΩ 1/16W J	
R323	NRSA63J-102X	MG RESISTOR	1kΩ 1/16W J		R795	NRS181J-150X	MG RESISTOR	15Ω 1/8W J	
R333	NRSA63J-102X	MG RESISTOR	1kΩ 1/16W J		R796	NRS181J-150X	MG RESISTOR	15Ω 1/8W J	
R334	NRSA63J-101X	MG RESISTOR	100Ω 1/16W J		R797	NRS181J-100X	MG RESISTOR	10Ω 1/8W J	
R336	NRSA63J-222X	MG RESISTOR	2.2kΩ 1/16W J		R798	NRSA63J-223X	MG RESISTOR	22kΩ 1/16W J	

Symbol No.	Part No.	Part Name	Description	Local
R801	NRS181J-103X	MG RESISTOR	10kΩ 1/8W J	
R803	NRSA63J-332X	MG RESISTOR	3.3kΩ 1/16W J	
R804	NRSA63J-332X	MG RESISTOR	3.3kΩ 1/16W J	
R805	NRSA63J-332X	MG RESISTOR	3.3kΩ 1/16W J	
R807	NRSA63J-473X	MG RESISTOR	47kΩ 1/16W J	
R808	NRS181J-102X	MG RESISTOR	1kΩ 1/8W J	
R809	NRSA63J-103X	MG RESISTOR	10kΩ 1/16W J	
R811	NRSA63J-332X	MG RESISTOR	3.3kΩ 1/16W J	
R812	NRSA63J-332X	MG RESISTOR	3.3kΩ 1/16W J	
R813	NRSA63J-473X	MG RESISTOR	47kΩ 1/16W J	
R814	NRSA63J-473X	MG RESISTOR	47kΩ 1/16W J	
R815	NRSA63J-473X	MG RESISTOR	47kΩ 1/16W J	
R817	NRS181J-472X	MG RESISTOR	4.7kΩ 1/8W J	
R822	NRSA63J-222X	MG RESISTOR	2.2kΩ 1/16W J	
R823	NRSA63J-473X	MG RESISTOR	47kΩ 1/16W J	
R824	NRSA63J-473X	MG RESISTOR	47kΩ 1/16W J	
R825	NRSA63J-103X	MG RESISTOR	10kΩ 1/16W J	
R826	NRSA63J-103X	MG RESISTOR	10kΩ 1/16W J	
R827	NRSA63J-473X	MG RESISTOR	47kΩ 1/16W J	
R828	NRSA63J-473X	MG RESISTOR	47kΩ 1/16W J	
R829	NRS181J-473X	MG RESISTOR	47kΩ 1/8W J	
R830	NRS181J-223X	MG RESISTOR	22kΩ 1/8W J	
R831	NRSA63J-472X	MG RESISTOR	4.7kΩ 1/16W J	
R832	NRS181J-223X	MG RESISTOR	22kΩ 1/8W J	
R833	NRS181J-472X	MG RESISTOR	4.7kΩ 1/8W J	
R834	NRS181J-223X	MG RESISTOR	22kΩ 1/8W J	
R835	NRS181J-472X	MG RESISTOR	4.7kΩ 1/8W J	
R836	NRSA63J-473X	MG RESISTOR	47kΩ 1/16W J	
R840	NRSA63J-473X	MG RESISTOR	47kΩ 1/16W J	
R841	NRSA63J-473X	MG RESISTOR	47kΩ 1/16W J	
R842	NRSA63J-473X	MG RESISTOR	47kΩ 1/16W J	
R843	NRSA63J-0R0X	MG RESISTOR	0Ω 1/16W J	
R844	NRSA63J-0R0X	MG RESISTOR	0Ω 1/16W J	
R861	NRS181J-471X	MG RESISTOR	470Ω 1/8W J	
R862	NRS181J-471X	MG RESISTOR	470Ω 1/8W J	
R863	NRSA63J-103X	MG RESISTOR	10kΩ 1/16W J	
R864	NRSA63J-103X	MG RESISTOR	10kΩ 1/16W J	
R901	NRSA63J-912X	MG RESISTOR	9.1kΩ 1/16W J	
R902	QRE141J-102Y	C RESISTOR	1kΩ 1/4W J	
R903	NRSA63J-472X	MG RESISTOR	4.7kΩ 1/16W J	
R904	NRSA63J-104X	MG RESISTOR	100kΩ 1/16W J	
R905	NRSA63J-472X	MG RESISTOR	4.7kΩ 1/16W J	
R906	NRSA63J-472X	MG RESISTOR	4.7kΩ 1/16W J	
R907	NRSA63J-393X	MG RESISTOR	39kΩ 1/16W J	
R908	NRSA63J-683X	MG RESISTOR	68kΩ 1/16W J	
R909	NRSA63J-273X	MG RESISTOR	27kΩ 1/16W J	
R910	NRSA63J-473X	MG RESISTOR	47kΩ 1/16W J	
R911	NRS181J-473X	MG RESISTOR	47kΩ 1/8W J	
L501	QQL231K-4R7Y	INDUCTOR I/M	4.7uH K	
L561	QQL231K-4R7Y	INDUCTOR I/M	4.7uH K	
L562	QQL231K-4R7Y	INDUCTOR I/M	4.7uH K	
L701	QQL231K-4R7Y	INDUCTOR I/M	4.7uH K	
L801	QQL231K-4R7Y	INDUCTOR I/M	4.7uH K	
L802	QQL231K-4R7Y	INDUCTOR I/M	4.7uH K	
L901	QQR0703-001	CHOKO COIL		
CJ321	QNN0533-001	PIN JACK		AR26 0
CJ321	QNN0519-001	PIN JACK		G210
CJ701	QNB0190-001	CAR ANT JACK		
CN501	QGB2027M4-22S	CONNECTOR	B-B (1-22)	
CN801	QGZ1601J1-15	CONNECTOR		
CN901	QNZ0611-001	16P CONNECTOR		
TU701	QAU0394-001	TUNER PACK		
X561	QAX0714-001Z	C RESONATOR	16.000MHz	
X801	QAX0406-001Z	CRYSTAL	4.500MHz	

Front board

Block No. [0][2]

Symbol No.	Part No.	Part Name	Description	Local
IC661	PT6523LQ-L	LCD DRIVER		
IC681	RPM7338-V4	RM.RECEIVER		
Q670	2SB624/4/-X	TRANSISTOR		
Q671	UN2211-X	TRANSISTOR		
D630	SML-310LT/MN/-X	LED		
D631	SML-310VT/JK/-X	LED		
D632	SML-310VT/JK/-X	LED		
D633	SML-310VT/JK/-X	LED		
D634	SML-310VT/JK/-X	LED		
D635	SML-310VT/JK/-X	LED		
D636	LNJ308G81/1-3/X	LED		AR26 0
D636	SML-310VT/JK/-X	LED		G210
D637	LNJ308G81/1-3/X	LED		AR26 0
D637	SML-310VT/JK/-X	LED		G210
D638	SML-310VT/JK/-X	LED		
D639	SML-310VT/JK/-X	LED		
D640	SML-310VT/JK/-X	LED		
D641	SML-310VT/JK/-X	LED		
D642	SML-310VT/JK/-X	LED		
D643	SML-310VT/JK/-X	LED		
D644	SML-310VT/JK/-X	LED		
D645	SML-310VT/JK/-X	LED		
D646	SML-310VT/JK/-X	LED		
D647	SML-310VT/JK/-X	LED		
D648	SML-310VT/JK/-X	LED		
D649	SML-310VT/JK/-X	LED		
D650	SML-310VT/JK/-X	LED		
D651	SML-310VT/JK/-X	LED		
D652	NSPW310BS/BRS/	LED		
D653	NSPW310BS/BRS/	LED		
D661	MA111-X	SI DIODE		
D662	MA8051/M/-X	Z DIODE		
D681	MA8062/M/-X	Z DIODE		
C661	NBE20JM-106X	TA E CAPACITOR	10uF 6.3V M	
C662	NCS31HJ-681X	C CAPACITOR	680pF 50V J	
C663	NCB31HK-223X	C CAPACITOR	0.022uF 50V K	
C681	NBE20JM-475X	TA E CAPACITOR	4.7uF 6.3V M	
C686	NCB31HK-223X	C CAPACITOR	0.022uF 50V K	
C687	NCB31HK-223X	C CAPACITOR	0.022uF 50V K	
R601	NRSA63J-681X	MG RESISTOR	680Ω 1/16W J	
R602	NRSA63J-561X	MG RESISTOR	560Ω 1/16W J	
R603	NRSA63J-681X	MG RESISTOR	680Ω 1/16W J	
R604	NRSA63J-911X	MG RESISTOR	910Ω 1/16W J	
R605	NRSA63J-122X	MG RESISTOR	1.2kΩ 1/16W J	
R606	NRSA63J-681X	MG RESISTOR	680Ω 1/16W J	
R607	NRSA63J-561X	MG RESISTOR	560Ω 1/16W J	
R608	NRSA63J-681X	MG RESISTOR	680Ω 1/16W J	
R609	NRSA63J-911X	MG RESISTOR	910Ω 1/16W J	
R610	NRSA63J-681X	MG RESISTOR	680Ω 1/16W J	
R611	NRSA63J-561X	MG RESISTOR	560Ω 1/16W J	
R612	NRSA63J-681X	MG RESISTOR	680Ω 1/16W J	
R613	NRSA63J-911X	MG RESISTOR	910Ω 1/16W J	
R614	NRSA63J-122X	MG RESISTOR	1.2kΩ 1/16W J	
R615	NRSA63J-152X	MG RESISTOR	1.5kΩ 1/16W J	
R630	NRSA02J-821X	MG RESISTOR	820Ω 1/10W J	
R631	NRSA02J-471X	MG RESISTOR	470Ω 1/10W J	
R633	NRSA02J-681X	MG RESISTOR	680Ω 1/10W J	
R637	NRSA02J-471X	MG RESISTOR	470Ω 1/10W J	AR26 0
R637	NRSA02J-821X	MG RESISTOR	820Ω 1/10W J	G210
R639	NRSA02J-331X	MG RESISTOR	330Ω 1/10W J	
R641	NRSA02J-331X	MG RESISTOR	330Ω 1/10W J	
R643	NRSA02J-471X	MG RESISTOR	470Ω 1/10W J	
R645	NRSA02J-471X	MG RESISTOR	470Ω 1/10W J	
R647	NRSA02J-471X	MG RESISTOR	470Ω 1/10W J	
R649	NRS181J-391X	MG RESISTOR	390Ω 1/8W J	
R650	NRS181J-391X	MG RESISTOR	390Ω 1/8W J	
R651	NRSA02J-471X	MG RESISTOR	470Ω 1/10W J	
R661	NRSA63J-222X	MG RESISTOR	2.2kΩ 1/16W J	

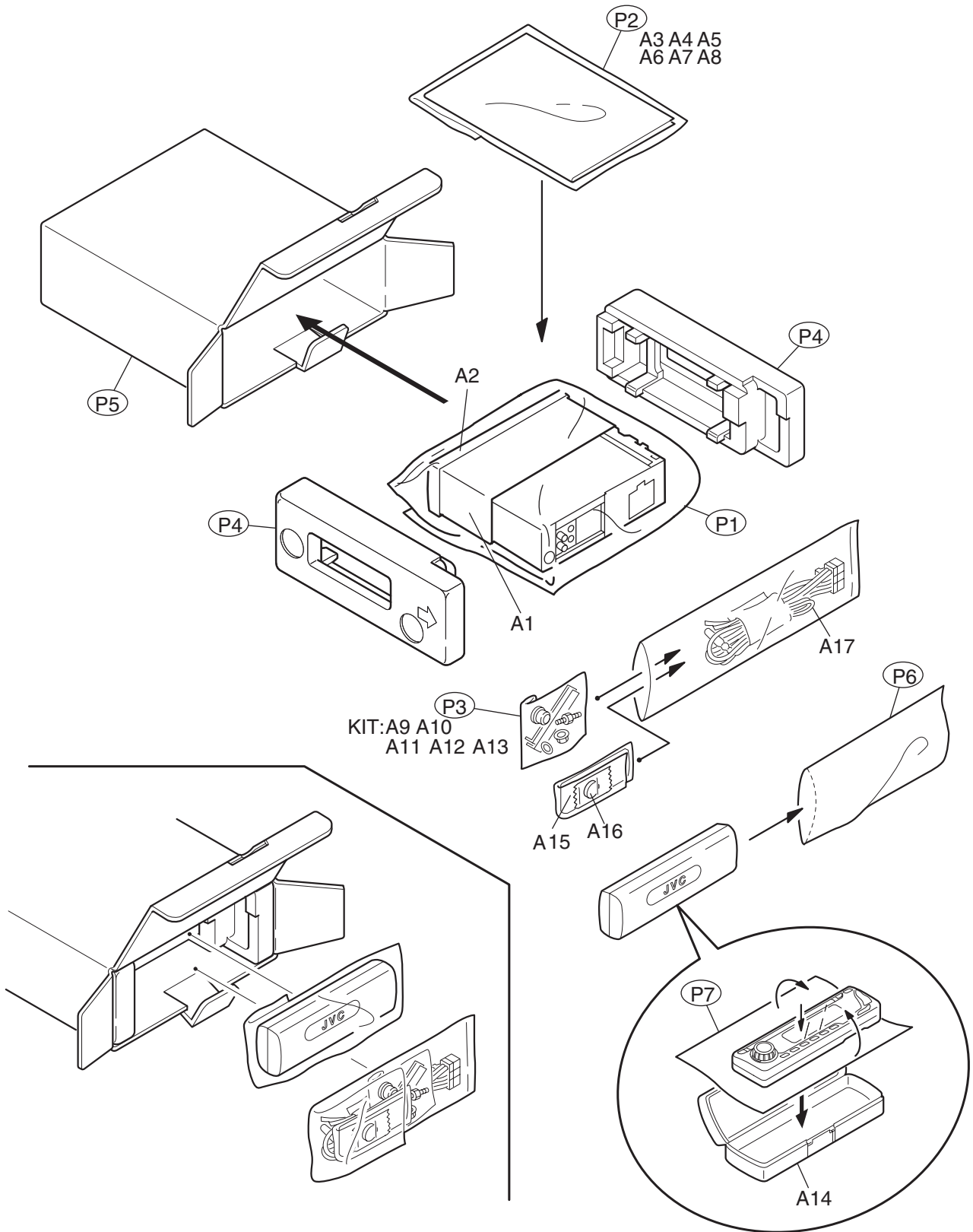
Symbol No.	Part No.	Part Name	Description	Local
R662	NRSA63J-222X	MG RESISTOR	2.2kΩ 1/16W J	
R663	NRSA63J-184X	MG RESISTOR	180kΩ 1/16W J	
R664	NRSA63J-103X	MG RESISTOR	10kΩ 1/16W J	
R665	NRSA63J-513X	MG RESISTOR	51kΩ 1/16W J	
R666	NRSA63J-103X	MG RESISTOR	10kΩ 1/16W J	
R667	NRSA63J-103X	MG RESISTOR	10kΩ 1/16W J	
R668	NRSA63J-103X	MG RESISTOR	10kΩ 1/16W J	
R670	NRS181J-471X	MG RESISTOR	470Ω 1/8W J	
R671	NRSA63J-473X	MG RESISTOR	47kΩ 1/16W J	
R672	NRS181J-102X	MG RESISTOR	1kΩ 1/8W J	
R681	NRSA63J-471X	MG RESISTOR	470Ω 1/16W J	
R682	NRSA63J-103X	MG RESISTOR	10kΩ 1/16W J	
R686	NRSA63J-101X	MG RESISTOR	100Ω 1/16W J	
R687	NRSA63J-473X	MG RESISTOR	47kΩ 1/16W J	
R688	NRSA63J-473X	MG RESISTOR	47kΩ 1/16W J	
CJ601	QGZ1601K1-15S	CONNECTOR	(1-15)	
JS686	QSW0793-001	ROTARY ENCODER		
S601	NSW0124-001X	TACT SW		
S602	NSW0124-001X	TACT SW		
S603	NSW0124-001X	TACT SW		
S604	NSW0124-001X	TACT SW		
S605	NSW0124-001X	TACT SW		
S606	NSW0124-001X	TACT SW		
S607	NSW0124-001X	TACT SW		
S608	NSW0124-001X	TACT SW		
S609	NSW0124-001X	TACT SW		
S610	NSW0124-001X	TACT SW		
S611	NSW0124-001X	TACT SW		
S612	NSW0124-001X	TACT SW		
S613	NSW0124-001X	TACT SW		
S614	NSW0124-001X	TACT SW		
S615	NSW0124-001X	TACT SW		
S616	NSW0124-001X	TACT SW		
S617	NSW0124-001X	TACT SW		
S618	NSW0124-001X	TACT SW		

<MEMO>

Packing materials and accessories parts list

Block No. **M 3 M N**

No additional / supplemental order of WARRANTY CARDS are available.



Packing and Accessories

Block No. [M][3][M][M]

△ Symbol No.	Part No.	Part Name	Description	Local
A 1	GE20137-003A	MOUNTING SLEEVE		
A 2	GE20135-007A	TRIM PLATE		AR260
A 2	GE20135-010A	TRIM PLATE		G210
A 3	GET0246-001A	INST BOOK	ENG SPA FRE	
A 4	GET0246-002A	INSTALL MANUAL		
A 5	LVT0717-001B	TROUBLE SHEET(C		
A 6	-----	WARRANTY CARD	BT-51029-2	AR260
A 6	-----	WARRANTY CARD	BT-51018-4	G210
A 7	-----	WARRANTY CARD	BT-52006-2	
A 8	BT-51034-2	REGISTRATION CARD		
A 9	VKZ4027-202	PLUG NUT		
A 10	VKH4871-003	MOUNT BOLT		
A 11	VKZ4328-003	LOCK NUT		
A 12	QYWWS53A008ZA	WASHER	0mm/5.3mm x	
A 13	GE40130-002A	HOOK	(x2)	
A 14	FSJB3002-00C	HARD CASE		
A 15	RM-RK50	REMOCON UNIT		
A 16	-----	BATTERY		
A 17	QAM0013-007	16P CORD ASSY		
KIT	SRW-358U	SCREW PART KIT	A9 A10 A11 A12 A13	
P 1	QPC03004315P	POLY BAG	30cm x 43cm	
P 2	FSPG4002-001	POLY BAG		
P 3	QPA00801205	POLY BAG	8cm x 12cm	
P 4	GE10070-003A	EPS CUSHION		
P 5	GE31423-002A	CARTON		AR260
P 5	GE31417-002A	CARTON		G210
P 6	QPA01003003	POLY BAG	10cm x 30cm	
P 7	FSYH4036-068	SHEET		

JVC



CD RECEIVER

KD-AR260/KD-G210

ENGLISH

RECEPTOR CON CD

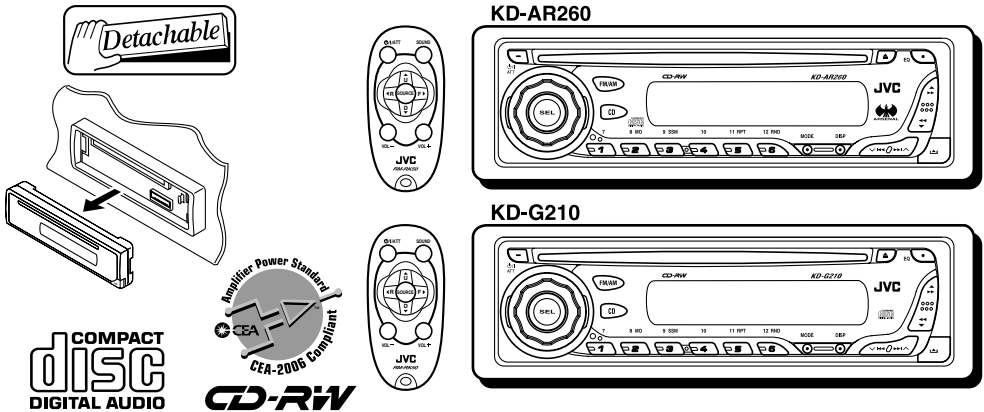
KD-AR260/KD-G210

ESPAÑOL

RECEPTEUR CD

KD-AR260/KD-G210

FRANÇAIS



- This unit is equipped with the display demonstration. To cancel it, see page 8.
- Esta unidad está equipada con demostración en la pantalla. Para cancelarla, consulte la página 8.
- Cet appareil est équipé d'une fonction de démonstration des affichages. Pour l'annuler, référez-vous à la page 8.

For installation and connections, refer to the separate manual.
Para la instalación y las conexiones, refiérase al manual separado.
Pour l'installation et les raccordements, se référer au manuel séparé.

INSTRUCTIONS

MANUAL DE INSTRUCCIONES
MANUEL D'INSTRUCTIONS

For customer Use:
Enter below the Model No. and
Serial No. which are located on
the top or bottom of the
cabinet. Retain this information
for future reference.

Model No. _____
Serial No. _____

GET0246-001A

[J]

IMPORTANTE (EE.UU.)

Este equipo se ha sometido a todo tipo de pruebas y cumple con las normas establecidas para dispositivos de Clase B, de conformidad con la Parte 15 de las reglas de la FCC (Comisión Federal de Comunicaciones). Estas reglas están diseñadas para asegurar una protección razonable contra este tipo de interferencias en las instalaciones residenciales. Este equipo genera y utiliza energía de radiofrecuencia. Si no se instala y utiliza debidamente, es decir, conforme a las instrucciones, podrían producirse interferencias en radiocomunicaciones. Sin embargo, no se garantiza que estas interferencias no se produzcan en una instalación determinada. Si este equipo ocasiona interferencias en la recepción de radio o televisión, lo cual puede comprobarse mediante la conexión o desconexión del equipo, el problema podrá corregirse mediante una o una combinación de las siguientes medidas:

- Reoriente la antena receptora o cámbiela de lugar.
- Aumente la separación entre el equipo y el aparato receptor.
- Enchufe el equipo a una toma de corriente situada en un circuito distinto del aparato receptor.
- Consulte a su distribuidor o a un técnico experto en radio/televisión.

IMPORTANTE PARA PRODUCTOS LÁSER

1. PRODUCTO LÁSER CLASE 1
2. **PRECAUCIÓN:** No abra la tapa superior. En el interior de la unidad no hay piezas que pueda reparar el usuario; encargue el servicio a personal técnico cualificado.
3. **PRECAUCIÓN:** Radiación láser visible e invisible en caso de apertura o con interbloqueo averiado o defectuoso. Evite la exposición directa a los haces.

Advertencia:

Si necesita operar el receptor mientras conduce, asegúrese de mirar atentamente hacia adelante para no provocar un accidente de tráfico.

Cómo reposicionar su receptor

Pulse y mantenga pulsados ambos botones simultáneamente.



- Esto hará que se reposicione el microcomputador. También se borrarán los ajustes preestablecidos por usted.
- Se expulsará cualquier disco que esté cargado. Tenga la precaución de no dejar caer el disco.

Cómo expulsar el disco por la fuerza

Si el disco no puede ser reconocido por el receptor o no puede ser expulsado, expúlselo de la siguiente manera.

Pulse y mantenga pulsados ambos botones simultáneamente.



- Si esto no funciona, intente reposicionar su receptor.
- Tenga cuidado de no dejar caer el disco al ser expulsado.

Muchas gracias por la compra de un producto JVC. Como primer paso, por favor lea detenidamente este manual para comprender a fondo todas las instrucciones y obtener un máximo disfrute de esta unidad.

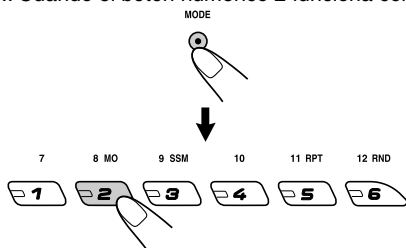
CONTENIDO

Cómo reposicionar su receptor	2	Cómo encontrar una pista o un punto determinado de un CD	15
Cómo expulsar el disco por la fuerza	2	Selección de los modos de reproducción de CD	15
Cómo utilizar el botón MODE	3	Prohibición de la expulsión del CD	16
UBICACIÓN DE LOS BOTONES	4	AJUSTES DEL SONIDO	17
Panel de control	4	Selección de los modos de sonido preajustados (C-EQ: ecualizador personalizable)	17
Control remoto	5	Ajuste del sonido	18
Preparación del control remoto	6	OTRAS FUNCIONES PRINCIPALES	19
OPERACIONES BASICAS	7	Selección del modo atenuación de luminosidad	19
Conexión de la alimentación	7	Selección del control de ganancia del amplificador	19
Cancelación de la demostración en pantalla	8	Desmontaje del panel de control	20
Ajuste del reloj	9	LOCALIZACIÓN DE AVERIAS	21
OPERACIONES DE LA RADIO	10	MANTENIMIENTO	22
Para escuchar la radio	10	Manipulación de los discos	22
Cómo almacenar emisoras en la memoria	12	ESPECIFICACIONES	23
Cómo sintonizar una emisora preajustada	13		
OPERACIÓN DE CD	14		
Para reproducir un CD	14		

Cómo utilizar el botón MODE

Si pulsa MODE, la unidad accede al modo de funciones y los botones numéricos funcionan como diferentes botones de funciones.

Ej.: Cuando el botón numérico 2 funciona como botón MO (monofónico).



Indicador de cuenta atrás

Para volver a usar estos botones como botones numéricos después de haber pulsado botón MODE, espere durante 5 segundos sin pulsar ningún botón numérico, hasta que se cancele el modo de funciones.

- Pulsado botón MODE otra vez también se cancela el modo de funciones.

ANTES DE USAR

*Para fines de seguridad....

- No aumente demasiado el nivel de volumen pues es muy peligroso conducir si no se escuchan los sonidos exteriores.
- Detenga el automóvil antes de efectuar cualquier operación complicada.

*Temperatura dentro del automóvil....

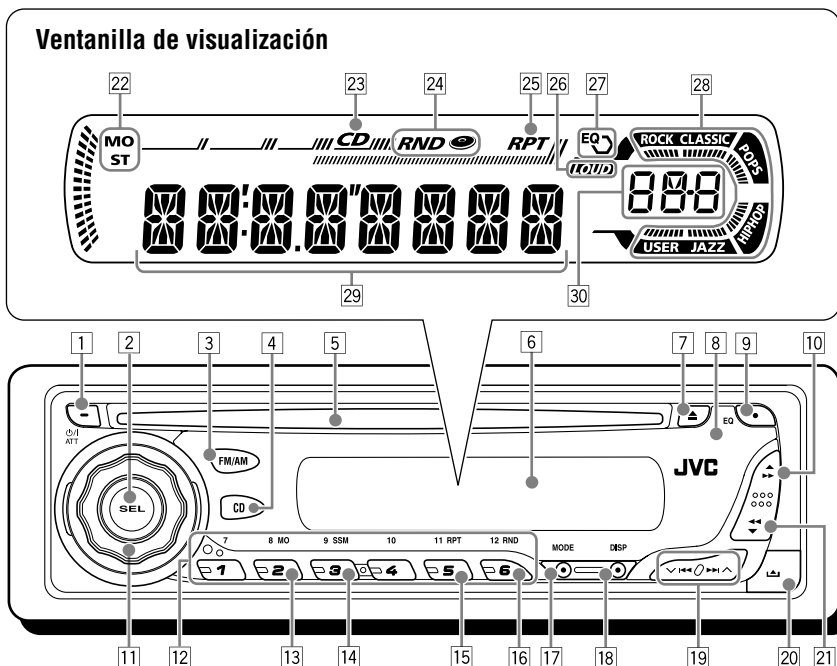
Si ha dejado el automóvil estacionado durante largo tiempo en un sitio cálido o frío, no opere la unidad hasta que se normalice la temperatura del habitáculo.



UBICACIÓN DE LOS BOTONES

Panel de control


ESPAÑOL



- 1 Botón ϕ /I ATT (en espera/encendido atenuador)
- 2 Botón SEL (selección)
- 3 Botón FM/AM
- 4 Botón CD
- 5 Ranura de carga
- 6 Ventanilla de visualización
- 7 Botón \blacktriangle (expulsión)
- 8 Sensor remoto
- 9 Botón EQ (ecualizador)
- 10 Botón \blacktriangle (arriba)
- 11 Botón \blacktriangleright (avance rápido)
- 12 Dial de control
- 13 Botones numéricos
- 14 Botón MO (monofónico)
- 15 Botón SSM (Memoria secuencia de las emisoras más fuertes)
- 16 Botón RPT (repetición)
- 17 Botón RND (aleatorio)
- 18 Botón MODE
- 19 Botón DISP (pantalla)
- 20 Botones \blacktriangledown \blacktriangleleft \blacktriangleright \blacktriangleup
- 21 Botón \blacktriangleup (soltar panel de control)

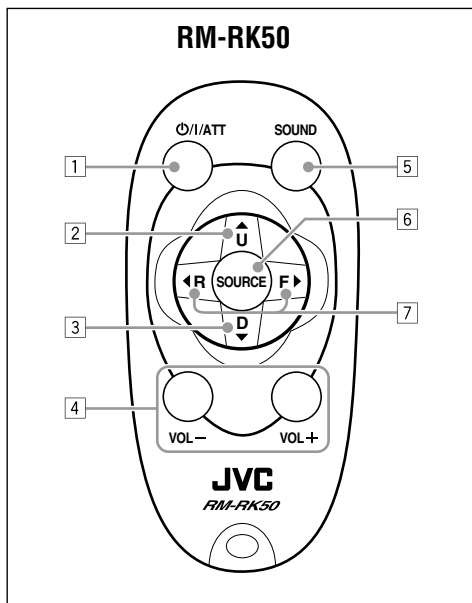
- 21 Botón \blacktriangledown (abajo)
- Botón \blacktriangleleft (retroceso)

Ventanilla de visualización

- 22 Indicadores de recepción del sintonizador MO (monofónico), ST (estéreo)
- 23 Indicador CD
- 24 Indicador RND  (aleatoria del disco)
- 25 Indicador RPT (repetición)
- 26 Indicador LOUD (sonoridad)
- 27 Indicador EQ (ecualizador)
- 28 Indicadores del modo de sonido (C-EQ: ecualizador personalizable)—ROCK, CLASSIC, POPS, HIP HOP, JAZZ, USER
- 29 Pantalla principal
- 30 Visualización de fuente
- Indicador de nivel de volumen



Control remoto



- 1 • La unidad se enciende si es pulsado estando la unidad apagada.
 - La unidad se apaga si pulsa y mantiene pulsado hasta que aparezca "SEE YOU" en la pantalla.
 - El nivel de volumen disminuye instantáneamente si pulsa de manera breve. Vuelva a pulsar para volver al volumen anterior.
- 2 Selecciona la banda mientras está escuchando la radio. Cada vez que pulsa el botón, la banda cambia.
- 3 Selecciona la emisora preajustada mientras está escuchando la radio. Cada vez que pulsa el botón, el número de la emisora preajustada aumenta, y se sintoniza la emisora seleccionada.

- 4 Funciona igual que el dial de control de la unidad principal.

Nota: Estos botones no se utilizan para ajustar "DEMO", "CLOCK H", "CLOCK M", "DIMMER" y "AMP GAIN" (véase páginas 8, 9 y 19).

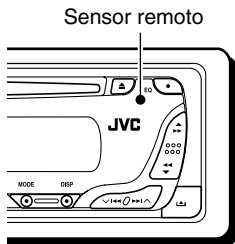
- 5 Seleccione el modo de sonido (C-EQ: ecualizador personalizable). Cada vez que pulsa el botón, el modo de sonido (C-EQ) cambia.
- 6 Seleccione la fuente. Cada vez que pulsa el botón, la fuente cambia.
- 7 • Busca estaciones mientras escucha la radio.
 - Avanza o retrocede hasta la pista si lo mantiene presionado mientras escucha el CD.
 - Salta al principio de la siguiente pista o retrocede al principio de las pistas actual (o de la anterior) si lo presiona brevemente mientras escucha el CD.



Preparación del control remoto

Antes de emplear el control remoto:

- Apunte el control remoto directamente hacia el sensor remoto de la unidad principal. Asegúrese de que no haya obstáculos en el camino.



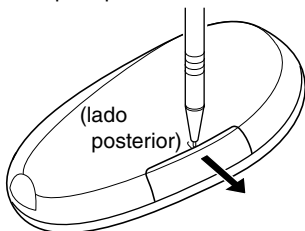
- No exponga el sensor remoto a la luz intensa (luz solar directa o iluminación artificial).

Instalación de la pila

Cuando los límites de alcance o la efectividad del control remoto se reduce, reemplace la pila.

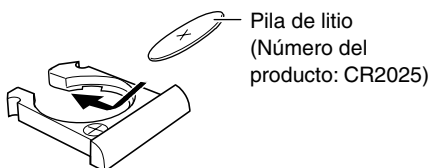
1. Retire la portapila.

- 1) Extráigalo en la dirección indicada por la flecha utilizando un bolígrafo u otra herramienta similar.
- 2) Retire la portapila.



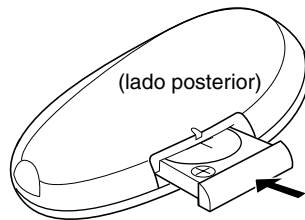
2. Coloque la pila.

Introduzca la pila en el portapila con el lado + dirigido hacia arriba, de manera que quede asegurada dentro del mismo.



3. Vuelva a colocar a la portapila.

Insértese nuevamente a la portapila empujándolo hasta escuchar un chasquido.

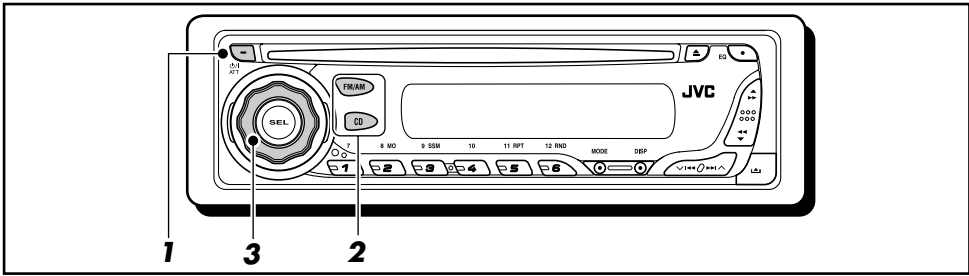


ADVERTENCIA:

- *Guarde la pila fuera del alcance de los niños. Si llega a ser ingerida, acuda inmediatamente al médico.*
- *No recargue, cortocircuite, desarme ni caliente la pila, ni las arroje al fuego. Cualquiera de estas acciones podrá hacer que la pila desprenda calor, se agriete o provoque un incendio.*
- *No mezcle pila con otros objetos de metal. Si lo hace, la pila podrían desprender calor, agrietarse o provocar un incendio.*
- *Cuando descarte o almacene la pila, envuélvalas con una cinta y aíslelas. Si no lo hace, podrían desprender calor, agrietarse o provocar un incendio.*
- *No saque la pila con una aguja de metal. Si lo hace, la pila podría desprender calor, agrietarse o provocar un incendio.*

PRECAUCIÓN:

NO deje el control remoto en un lugar expuesto a la luz directa del sol (como los cubretablero) durante un tiempo prolongado. De lo contrario, se podría dañar.



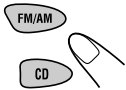
Conexión de la alimentación

1 Encienda la unidad.



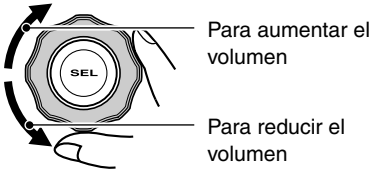
Nota sobre la operación con pulsación única:
La unidad se enciende automáticamente cuando usted selecciona la fuente en el paso 2 de abajo. No necesitará presionar este botón para encender la unidad.

2 Reproduzca la fuente.



Para operar el sintonizador (FM o AM), consulte las páginas 10 – 13.
Para reproducir un CD, consulte las páginas 14 – 16.

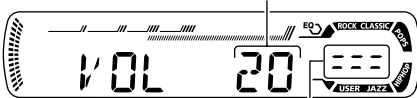
3 Ajuste el volumen.



Para aumentar el volumen

Para reducir el volumen

Aparece el nivel de volumen.



Indicador de nivel de volumen

4 Ajuste el sonido según se desee. (Consulte las páginas 17 y 18).

Para disminuir el volumen en un instante

Pulse ϕ /I ATT por un tiempo breve mientras está escuchando cualquier fuente. “ATT” comienza a parpadear en la pantalla, y el nivel de volumen disminuirá en un instante. Para regresar al nivel de volumen anterior, vuelva a presionar brevemente el botón.

- Si gira el dial de control, también se podrá restablecer el sonido.

Para apagar la unidad

Pulse y mantenga pulsado ϕ /I ATT durante más de 1 segundo.

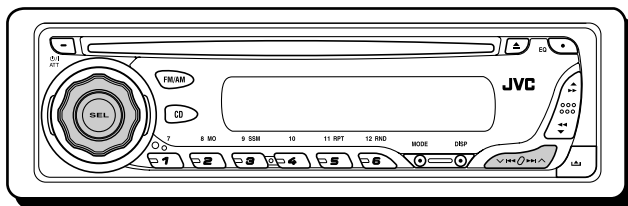
Aparece “SEE YOU” y seguidamente la unidad se apaga.

- **Si desconecta la alimentación mientras está escuchando un CD**, cuando vuelva a conectar la alimentación la próxima vez el CD se empezará a reproducir desde el punto en que fue detenido previamente.

PRECAUCIÓN sobre el ajuste del volumen:

Los CDs producen muy poco ruido al compararse con otras fuentes. Si ajusta el nivel de volumen para el sintonizador, por ejemplo, los altavoces podrían dañarse debido a un repentino aumento del nivel de salida.

Por lo tanto, antes de reproducir un disco, disminuya el volumen y ajústelo al nivel deseado durante la reproducción.



Cancelación de la demostración en pantalla

La unidad se expide de fábrica con la demostración en pantalla activada para que se inicie automáticamente tras un período de inactividad de 20 segundos.

- Se recomienda cancelar la demostración en pantalla antes de utilizar la unidad por primera vez.

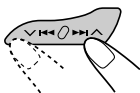
Para cancelar la demostración en pantalla, siga el procedimiento de abajo.

1 Pulse y mantenga pulsado SEL (selección) durante más de 2 segundos.

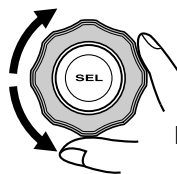
“DEMO”, “CLOCK H”, “CLOCK M”, “DIMMER” o “AMP GAIN” aparecen en la pantalla.



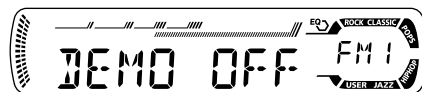
2 Seleccione “DEMO” si no está visualizado en la pantalla.



3 Seleccione “DEMO OFF”.



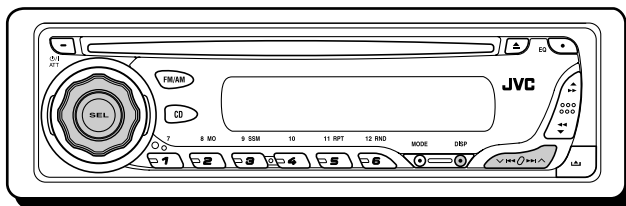
DEMO OFF ↔ DEMO ON



4 Finalice el ajuste.



Para activar la demostración en pantalla, repita el mismo procedimiento y seleccione “DEMO ON” en el paso 3.



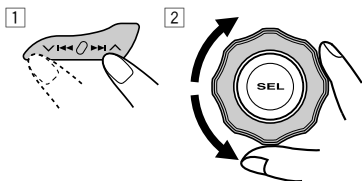
Ajuste del reloj

1 Pulse y mantenga pulsado SEL (selección) durante más de 2 segundos. “DEMO”, “CLOCK H”, “CLOCK M”, “DIMMER” o “AMP GAIN” aparecen en la pantalla.



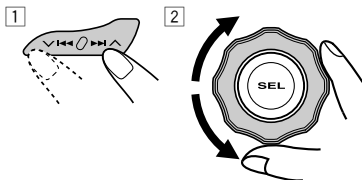
2 Ajuste la hora.

- 1 Seleccione “CLOCK H” (hora) si no está visualizado en la pantalla.
- 2 Ajuste la hora.



3 Ajuste los minutos.

- 1 Seleccione “CLOCK M” (minutos).
- 2 Ajuste los minutos.



4 Finalice el ajuste.



Para verificar la hora actual en el reloj o cambiar el modo de pantalla



Pulse DISP (pantalla) repetidamente. Cada vez que pulsa el botón, el modo de pantalla cambia de la siguiente manera:

- Durante la operación del sintonizador:

Frecuencia ↔ Reloj

- Durante la operación del CD:

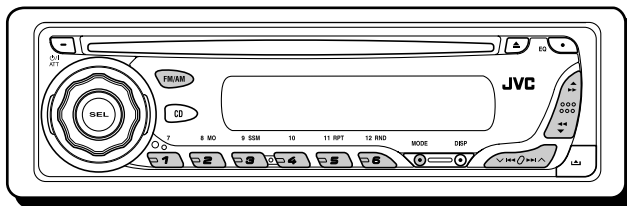
Tiempo de reproducción ↔ Reloj transcurrido

- Durante el apagado:

La unidad se enciende y la hora del reloj aparece durante 5 segundos. Luego, la unidad se apaga.



OPERACIONES DE LA RADIO



Para escuchar la radio

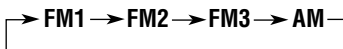
Podrá sintonizar una determinada emisora mediante búsqueda automática o búsqueda manual.

Para buscar una emisora automáticamente: Búsqueda automática

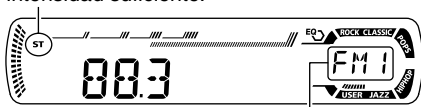
1 Seleccione la banda (FM1 – 3, AM).



Cada vez que pulsa el botón, la banda cambia de la siguiente manera:



Se enciende cuando se recibe una radiodifusión en FM estéreo de intensidad suficiente.



Aparece la banda seleccionada.

Nota:

Este receptor tiene tres bandas FM (FM1, FM2, FM3). Podrá usar cualquiera de ellas para escuchar un radiodifusión en FM.

2 Comience la búsqueda de la emisora.



Para buscar emisoras de frecuencias más altas

Para buscar emisoras de frecuencias más bajas

La búsqueda se interrumpe cada vez que se recibe una emisora.

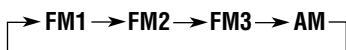
Para cancelar la búsqueda antes de recibir una emisora, pulse el mismo botón que el pulsado para la búsqueda.

Para buscar una emisora manualmente: Búsqueda manual

1 Seleccione la banda (FM1 – 3, AM).



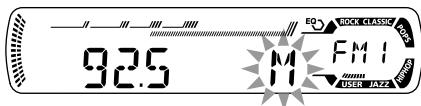
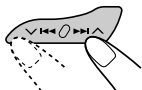
Cada vez que pulsa el botón, la banda cambia de la siguiente manera:



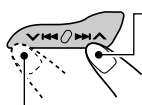
Nota:

Este receptor tiene tres bandas FM (FM1, FM2, FM3). Podrá usar cualquiera de ellas para escuchar un radiodifusión en FM.

2 Pulse y mantenga pulsado ►► ▲ o ▼ ◀◀ hasta que “M” (manual) comience a parpadear en la pantalla.



3 Sintonicé la emisora deseada mientras “M” (manual) está parpadearando.



Para sintonizar emisoras de frecuencias más altas

Para sintonizar emisoras de frecuencias más bajas

- Si aparta su dedo del botón, el modo manual se desactivará automáticamente después de 5 segundos.
- Si mantiene el botón pulsado, la frecuencia cambiará continuamente (a intervalos de 200 kHz para FM y a intervalos de 10 kHz para AM) hasta soltarlo.

Cuando una radiodifusión en FM estéreo sea difícil de recibir:

MODE



- 1 Pulse MODE para entrar en modo de funciones mientras se está escuchando una radiodifusión en FM.

8 MO



- 2 Pulse MO (monofónico), mientras “MODE” sigue parpadearo en la pantalla, de manera que aparezca “MONO” en la pantalla. Cada vez que pulsa el botón, el modo monaural se activa y desactiva alternativamente.

Indicador MO (monofónico)



Cuando el indicador MO se enciende en la pantalla, el sonido escuchado se vuelve monofónico, pero se consigue mejorar la recepción.



Cómo almacenar emisoras en la memoria

Las emisoras podrán almacenarse en la memoria mediante uno de los dos métodos siguientes.

- Preajuste automático de emisoras FM: SSM (Memoria secuencia de las emisoras más fuertes)
- Preajuste manual de ambas emisoras FM y AM

Preajuste automático de emisoras

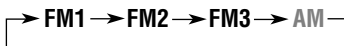
FM: SSM

Pueden preajustarse 6 emisoras FM locales en cada banda FM (FM1, FM2 y FM3).

1 Seleccione la FM banda (FM1 – 3) en que desea almacenar las emisoras FM.



Cada vez que pulsa el botón, la banda cambia de la siguiente manera:



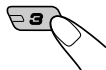
2 Pulse MODE para entrar en modo de funciones.

MODE



3 Pulse y mantenga pulsado SSM durante unos 2 segundos.

9 SSM



“SSM” parpadea, y luego desaparece al finalizar el preajuste automático.

Las emisoras FM locales con las señales más intensas serán exploradas y almacenadas automáticamente en el número de banda seleccionado (FM1, FM2 o FM3).

Estas emisoras quedan preajustadas en los botones—No.1 (frecuencia más baja) a No.6 (frecuencia más alta).

Cuando finalice el preajuste automático, se sintonizará automáticamente la emisora almacenada en el botón número 1.

Preajuste manual

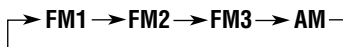
Podrá preajustar manualmente hasta 6 emisoras en cada banda (FM1, FM2, FM3 y AM).

Ej.: Almacenamiento de una emisora FM de 92,5 MHz en el número de preajuste 1 de la banda FM1.

1 Seleccione la banda (FM1 – 3, AM) en que desea almacenar las emisoras (en este ejemplo, FM1).



Cada vez que pulsa el botón, la banda cambia de la siguiente manera:

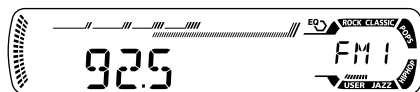


2 Sintonice la emisora (en este ejemplo de 92,5 MHz).



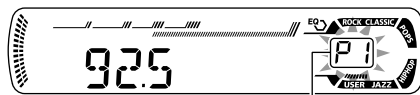
Para sintonizar emisoras de frecuencias más altas

Para sintonizar emisoras de frecuencias más bajas



3 Pulse y mantenga pulsado el botón numérico (en este ejemplo, 1), durante más de 2 segundos.

7



El número de preajuste parpadea durante unos instantes.

4 Repita el procedimiento de arriba para almacenar otras emisoras en los otros números de preajuste.

Notas:

- La emisora preajustada previamente se borra cuando se almacena una emisora nueva en el mismo número de preajuste.
- Si se deja de suministrar energía al circuito de la memoria (por ejemplo, durante el reemplazo de la batería) se borrarán todas las emisoras preajustadas. Si así sucede, vuelva a preajustar las emisoras.

Cómo sintonizar una emisora preajustada

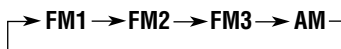
Las emisoras preajustadas pueden sintonizarse fácilmente.

Tenga presente que primero deberá almacenar las emisoras. Si todavía no lo ha hecho, consulte “Cómo almacenar emisoras en la memoria” en las páginas 12 y 13.

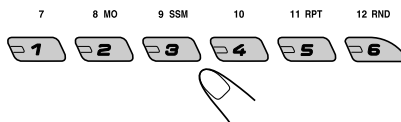
1 Seleccione la banda (FM1 – 3, AM).



Cada vez que pulsa el botón, la banda cambia de la siguiente manera:



2 Seleccione el número (1 – 6) en que desea preajustar la emisora.



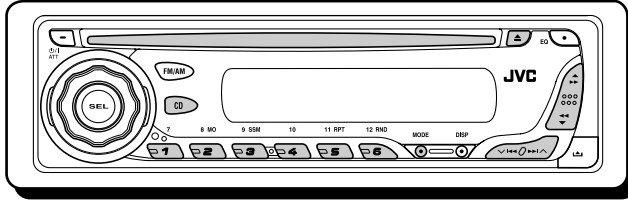
Nota:

También pueden usar los botones ▲ (arriba) o ▼ (abajo) en la unidad para seleccionar las emisoras preajustadas siguientes o anteriores.

Cada vez que pulsar los botones ▲ (arriba) o ▼ (abajo), se sintonizará las emisoras preajustadas siguientes o anteriores.

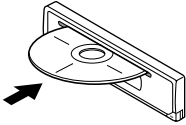


OPERACIÓN DE CD



Para reproducir un CD

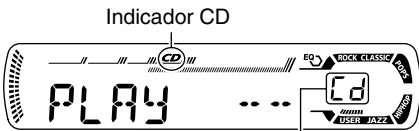
Inserte un CD en la ranura de carga.



Se conecta la alimentación de la unidad, entra el CD y comienza la reproducción automáticamente.

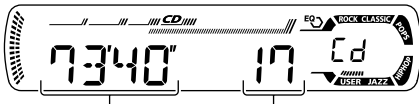
Nota sobre la operación con pulsación única:

Si pulsa CD cuando hay un CD introducido en la ranura de carga, la unidad se enciende y empieza a reproducir el disco automáticamente.



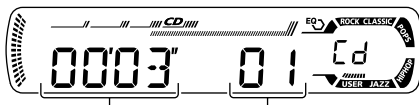
Indicador CD

Indicación de fuente actual



Tiempo de reproducción total del disco insertado

Número total de pistas del disco insertado



Tiempo de reproducción transcurrido

Número de pista actual

Todas las pistas se reproducen repetidamente hasta que usted detenga la reproducción.

Nota:

Cuando se inserta un CD al revés, aparecerá "EJECT" en la pantalla y el CD será expulsado automáticamente.

Para interrumpir la reproducción y expulsar el CD

Pulse ▲.

Se interrumpe la reproducción del CD, que será expulsado automáticamente de la ranura de carga. La fuente cambia a sintonizador (se escuchará la emisora recibida en último término).

- Si cambia la fuente, la reproducción del CD también se interrumpe (sin que el CD sea expulsado).

La próxima vez que selecciona "CD" como fuente, la reproducción del CD se iniciará desde donde la detuvo.

Notas:

- Si no saca el CD expulsado en unos 15 segundos, será reinsertado automáticamente en la ranura de carga para protegerlo del polvo. (En este caso no se reproduce el CD).
- Podrá expulsar el CD incluso cuando la unidad esté apagada.

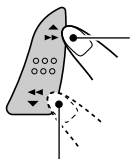
Acerca del mal seguimiento:

El mal seguimiento es un defecto que podría suceder cuando conduce por caminos muy accidentados. Esto no produce daños a la unidad ni al CD, pero resultará muy molesto. Se recomienda detener la reproducción del CD cuando conduzca por caminos accidentados.



Cómo encontrar una pista o un punto determinado de un CD

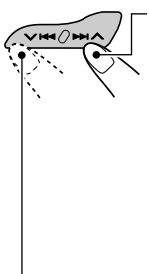
Para efectuar la búsqueda progresiva o regresiva de la pista



Pulse y mantenga pulsado ►►, mientras se está reproduciendo el CD para la búsqueda progresiva de la pista.

Pulse y mantenga pulsado ◄◄, mientras se está reproduciendo el CD para la búsqueda regresiva de la pista.

Para ir a las pistas siguientes o anteriores

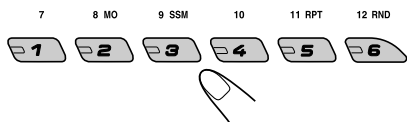


Pulse ►► ▲ por un tiempo breve mientras se está reproduciendo un CD para saltar al comienzo de la pista siguiente. Cada vez que pulse el botón consecutivamente, se localiza el comienzo de las pistas siguientes y se efectúa la reproducción.

Pulse ▼ ◄◄ por un tiempo breve mientras se está reproduciendo un CD para regresar al comienzo de la pista actual. Cada vez que pulse el botón consecutivamente, se localiza el comienzo de las pistas anteriores y se efectúa la reproducción.

Para seleccionar directamente una determinada pista

Pulse el botón de número correspondiente al número de pista que desea reproducir.

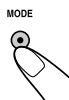


- Para seleccionar un número de pista del 1 – 6: Pulse 1 (7) – 6 (12) por un tiempo breve.
- Para seleccionar un número de pista del 7 – 12: Pulse y mantenga pulsado 1 (7) – 6 (12) durante más de 1 segundo.

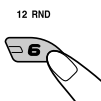
Selección de los modos de reproducción de CD

Para reproducir las pistas de forma aleatoria (Reproducción aleatoria de discos)

Podrá reproducir todas las pistas del CD de forma aleatoria.

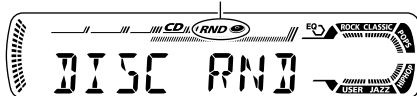



- 1 Pulse MODE para entrar en modo de funciones mientras se está reproduciendo un CD.



- 2 Pulse RND (aleatorio), mientras “MODE” sigue parpadeando en la pantalla, de manera que aparezca “DISC RND” en la pantalla. Cada vez que pulsa el botón, el modo de reproducción aleatoria de discos se activa y desactiva alternativamente.

Indicador RND  (aleatoria del disco)



Al activarse la reproducción aleatoria de discos, el indicador RND  se encienden en la pantalla. Se empezará a reproducir una pista seleccionada de forma aleatoria.



Para reproducir las pistas repetidamente (Reproducción repetida de pistas)

Podrá escuchar la pista actual repetidamente.

MODE



- 1 Pulse MODE para entrar en modo de funciones mientras se está reproduciendo un CD.

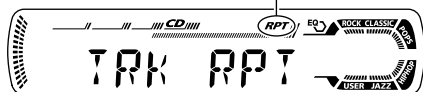
11 RPT



- 2 Pulse RPT (repetición), mientras "MODE" sigue parpadeando en la pantalla, de manera que aparezca "TRK RPT" en la pantalla.

Cada vez que pulsa el botón, el modo de reproducción repetida de pistas se activa y desactiva alternativamente.

Indicador RPT

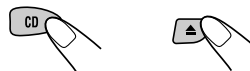


Cuando se activa la reproducción repetida de pistas, el indicador RPT se enciende en la pantalla. Se empezará a reproducir la pista actual de forma repetida.

Prohibición de la expulsión del CD

Es posible inhibir la expulsión del CD y bloquear el CD dentro de la ranura de carga.

Mientras pulsa CD, pulse y mantenga pulsado **▲** durante más de 2 segundos.



"NO EJECT" parpadea en la pantalla durante aproximadamente 5 segundos, y el CD queda bloqueado para que no pueda expulsarse.



Para cancelar la prohibición y desbloquear el CD

Mientras se pulsa CD, pulse y mantenga pulsado **▲** de nuevo durante más de 2 segundos.

Aparece "EJECT" en la pantalla, y el CD será expulsado de la ranura de carga.





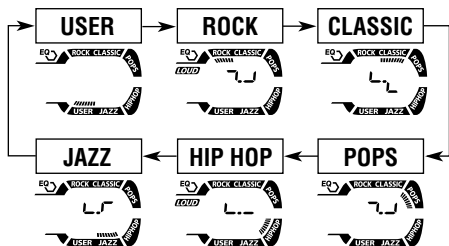
Selección de los modos de sonido preajustados (C-EQ: ecualizador personalizable)

Puede seleccionar un modo de sonido preajustado (C-EQ: ecualizador personalizable) adecuado al género musical.

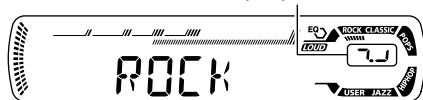
Seleccione el modo de sonido deseado.



Cada vez que pulsa el botón, los modos de sonido cambian de la siguiente manera:



El patrón de indicación cambia para cada modo de sonido, excepto para "USER".



Ej.: Cuando usted selecciona "ROCK"

Indicación	Para:	Valores preajustados		
		BAS	TRE	LOUD
USER	(Sonido plano)	00	00	OFF
ROCK	Rock o música de disco	+03	+01	ON
CLASSIC	Música clásica	+01	-02	OFF
POPS	Música ligera	+04	+01	OFF
HIP HOP	Música de funk o rap	+02	00	ON
JAZZ	Música de jazz	+02	+03	OFF

Nota:

Cada uno de los modos de sonido se pueden ajustar según sus preferencias. Una vez realizado un ajuste, el mismo será almacenado automáticamente para el modo de sonido seleccionado. Consulte "Ajuste del sonido" en la página 18.

ESPAÑOL



Ajuste del sonido

Usted puede ajustar las características de sonido a su preferencia.

1 Seleccione el ítem que desea ajustar.



Cada vez que pulsa el botón, los ítems ajustables cambian de la siguiente manera:



Indicación	Para:	Gama
BAS*1	Ajustar los graves.	-06 (min.) +06 (max.)
TRE*1	Ajustar los agudos.	-06 (min.) +06 (max.)
FAD*2	Ajustar el balance de los altavoces delantero y trasero.	R06 (Trasero solamente) F06 (Delantero solamente)
BAL	Ajustar el balance de los altavoces izquierdo y derecho.	L06 (Izquierdo solamente) R06 (Derecho solamente)
LOUD*1	Refuerza las frecuencias altas y bajas para producir un sonido bien balanceado con el volumen bajo.	LOUD ON LOUD OFF
VOL*3	Ajustar el volumen.	00 (min.) 30 o 50 (max.)*4

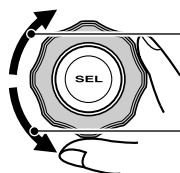
*1 Al ajustar los graves, los agudos o la sonoridad, el ajuste realizado por usted quedará almacenado en el modo de sonido seleccionado (C-EQ), incluyendo "USER".

*2 Si está usando un sistema de dos altavoces, ajuste el nivel del desvanecedor a "00".

*3 El dial de control funciona normalmente como control de volumen. Por consiguiente no es necesario seleccionar "VOL" para ajustar el nivel de volumen.

*4 Depende del ajuste de control de ganancia del amplificador. (Para los detalles, consulte la página 19).

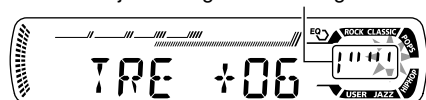
2 Realice el ajuste.



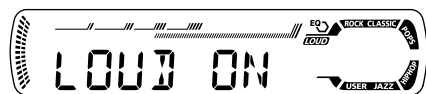
Para aumentar el nivel o activar la sonoridad

Para disminuir el nivel o desactivar la sonoridad

El patrón de indicación cambia mientras usted ajusta los graves o los agudos.



Ej. 1: Cuando usted ajusta a "TRE" (agudos)



Ej. 2: Cuando se activa la sonoridad

3 Repita los pasos 1 y 2 para ajustar los otros ítems.

Para repositonar cada modo de sonido a los ajustes de fábrica, repita el mismo procedimiento y reasigne los valores preajustados indicados en la tabla de la página 17.



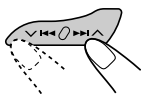
Selección del modo atenuación de luminosidad

Podrá oscurecer la pantalla de noche (de acuerdo con sus preferencias). La unidad se expide de fábrica con el atenuador de luminosidad desactivado.

- 1 Pulse y mantenga pulsado SEL (selección) durante más de 2 segundos.** “DEMO”, “CLOCK H”, “CLOCK M”, “DIMMER” o “AMP GAIN” aparecen en la pantalla.



- 2 Seleccione “DIMMER” si no está visualizado en la pantalla.**



- 3 Seleccione el modo deseado—“OFF” o “ON”.**



- OFF: Se cancela el atenuador de luminosidad.
- ON: Se activa el atenuador de luminosidad.

- 4 Finalice el ajuste.**



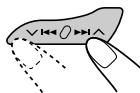
Selección del control de ganancia del amplificador

Es posible cambiar el nivel máximo de volumen de esta unidad. Cuando la potencia máxima de los altavoces es de menos de 50 W, seleccione “LOW PWR” para evitar que se dañen. La unidad se expide de fábrica con la opción “HIGH PWR” seleccionada.

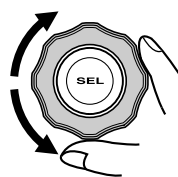
- 1 Pulse y mantenga pulsado SEL (selección) durante más de 2 segundos.** “DEMO”, “CLOCK H”, “CLOCK M”, “DIMMER” o “AMP GAIN” aparecen en la pantalla.



- 2 Seleccione “AMP GAIN” si no está visualizado en la pantalla.**



- 3 Seleccione el modo deseado—“HIGH PWR” o “LOW PWR”.**



- LOW PWR: El nivel de volumen se puede ajustar entre “VOL 00” a “VOL 30”.
- HIGH PWR: El nivel de volumen se puede ajustar entre “VOL 00” a “VOL 50”.

- 4 Finalice el ajuste.**



Nota:

Si cambia el ajuste de “HIGH PWR” a “LOW PWR” mientras escucha a un nivel de volumen superior a 30, la unidad cambiará automáticamente el nivel de volumen a “VOL 30”.



Desmontaje del panel de control

Podrá desmontar el panel de control cuando salga de su automóvil.

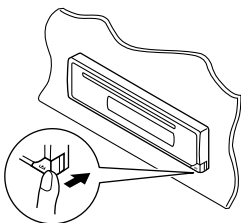
Al desmontar o instalar el panel de control, preste atención para no dañar los conectores provistos al dorso del panel de control y en el portapanel.

ESPAÑOL

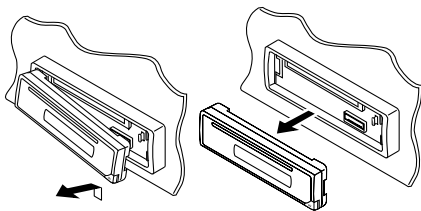
Cómo desmontar el panel de control

Antes de desmontar el panel de control, asegúrese de desconectar la alimentación.

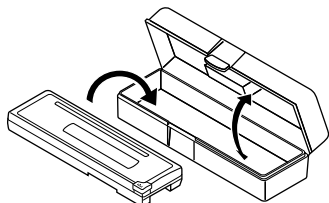
1 Desbloquee el panel de control.



2 Eleve y extraiga el panel de control de la unidad.

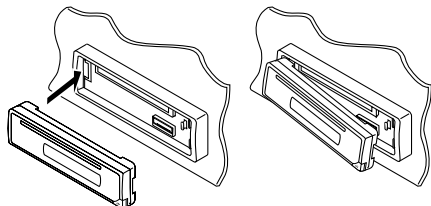


3 Ponga el panel de control desmontado en el estuche suministrado.

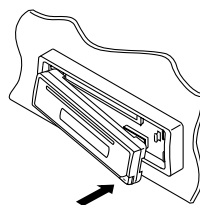


Cómo instalar el panel de control

1 Inserte el lado izquierdo del panel de control en la ranura del portapanel.



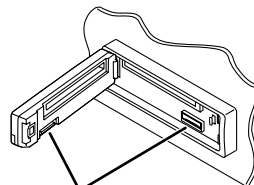
2 Pulse el lado derecho del panel de control para fijarlo al portapanel.



Nota sobre la limpieza de los conectores:

Si acostumbra a desmontar frecuentemente el panel de control, se podrán deteriorar los conectores.




Para reducir al mínimo esta posibilidad, limpie periódicamente los conectores con un palillo de algodón o con un lienzo humedecido con alcohol teniendo cuidado de no dañar los conectores.



Conectores

LOCALIZACIÓN DE AVERIAS

Lo que aparenta ser una avería podría resolverse fácilmente. Verifique los siguientes puntos antes de acudir al centro de servicio.

	Síntomas	Causas	Remedios
Generalidades	<ul style="list-style-type: none"> El sonido no sale por los altavoces. 	El nivel de volumen está ajustado al mínimo. Las conexiones son incorrectas.	Ajustarlo al nivel óptimo. Verifique los cables y las conexiones.
	<ul style="list-style-type: none"> Esta unidad no funciona en absoluto. 	El microcomputador incorporado podría haber funcionado incorrectamente debido a los ruidos, etc.	Mientras mantiene pulsado SEL (selección), pulse  /I ATT (en espera/encendido atenuador) durante más de 2 segundos para reinicializar la unidad. (También se borrarán los preajustes realizados por usted). (Consulte la página 2).
FM/AM	<ul style="list-style-type: none"> El preajuste automático SSM (Memoria secuencia de las emisoras más fuertes) no funciona. 	Las señales son muy débiles.	Almacene las emisoras manualmente.
	<ul style="list-style-type: none"> Hay ruidos estáticos mientras se escucha la radio. 	La antena no está firmemente conectada.	Conecte la antena firmemente.
Reproducción de CD	<ul style="list-style-type: none"> El CD es expulsado automáticamente. 	El CD está insertado boca abajo.	Inserte el CD correctamente.
	<ul style="list-style-type: none"> El CD-R/CD-RW no se puede reproducir. Las pistas del CD-R/CD-RW no pueden ser omitidas. 	El CD-R/CD-RW no está finalizado.	<ul style="list-style-type: none"> Inserte un CD-R/CD-RW finalizado. Finalice el CD-R/CD-RW con el componente utilizado para la grabación.
	<ul style="list-style-type: none"> No se puede reproducir ni expulsar el CD. 	El CD está bloqueado.	Desbloquee el CD. (Consulte la página 16).
		El reproductor de CD podría estar funcionando incorrectamente.	Mientras mantiene pulsado  /I ATT (en espera/encendido atenuador), pulse  (expulsión) durante más de 2 segundos. Tenga cuidado de no dejar caer el CD cuando sea expulsado.
	<ul style="list-style-type: none"> El sonido del CD se interrumpe algunas veces. 	Está conduciendo por caminos accidentados.	Pare la reproducción mientras conduce sobre caminos accidentados.
		El disco está rayado.	Cambie el CD.
		Las conexiones son incorrectas.	Verifique los cables y las conexiones.
<ul style="list-style-type: none"> “NO DISC” aparece en la pantalla. 	No hay CD en la ranura de carga.	Inserte un CD en la ranura de carga.	
	CD incorrectamente insertado.	Inserte el CD correctamente.	



Manipulación de los discos

Esta unidad ha sido diseñada para reproducir CDs, CD-Rs (regrabables) y CD-RWs (reescribibles).

- **Esta unidad no es compatible con discos MP3.**

Cómo tratar los discos

Cuando saque un disco de su caja, presione el sujetador central de la caja y extraiga el disco agarrándolo por los bordes.



- Siempre sujete el disco por los bordes. No toque su superficie de grabación.

Cuando guarde el disco en su caja, insértelo suavemente alrededor del sujetador central (con la superficie impresa hacia arriba).

- Asegúrese de guardar los discos en sus cajas después del uso.

Para mantener los discos limpios

Un disco sucio podría no reproducir correctamente. Si el disco se llegara a ensuciar, utilice un lienzo suave y limpie con movimientos rectos desde el centro hacia el borde.



Para reproducir discos nuevos

Algunos discos nuevos podrían presentar ciertas irregularidades en sus bordes interior y exterior.

Si intenta introducir un disco así, podría suceder que la unidad rechace el disco.

Elimine las irregularidades raspando con un lápiz, bolígrafo, etc.



Condensación de humedad

Podría condensarse humedad en la lente alojada en el interior del reproductor de CD en los siguientes casos:

- Después de encender el calefactor del automóvil.
- Si hay mucha humedad en el habitáculo.

En estos casos el reproductor de CD podría no funcionar correctamente. Haga expulsar el disco y deje la unidad encendida durante algunas horas hasta que se evapore la unidad.

Cuando se reproduce un CD-R o CD-RW

Antes de reproducir los CD-Rs o CD-RWs, lea atentamente sus instrucciones o precauciones.

- Utilice únicamente CD-Rs o CD-RWs “finalizados”.
- Es posible que algunos CD-Rs o CD-RWs no se puedan reproducir en esta unidad debido a las características propias del disco y por los siguientes motivos:
 - Discos sucios o rayados.
 - Hay condensación de humedad en el lente interior de la unidad.
 - Suciedad en el lente captor del interior del reproductor.
- Los CD-RWs pueden requerir más tiempo de lectura debido a que la reflectancia de los mismos es menor que la de los CDs comunes.
- Los CD-Rs o CD-RWs son afectados por las altas temperaturas o la alta humedad; por lo tanto, no los deje en el interior de su automóvil.
- No utilice los siguientes CD-Rs o CD-RWs:
 - Discos con pegatinas, etiquetas o sellos protectores adheridos a la superficie.
 - Discos que tengan etiquetas que se puedan imprimir con una impresora de chorro de tinta.

El uso de estos discos bajo altas temperaturas o alta humedad pueden producir fallos de funcionamiento o daños a los discos. Por ejemplo,

- Las etiquetas o las pegatinas se podrían encoger y provocar la curvatura del disco.
- Las etiquetas o las pegatinas se podrían despegar y entorpecer la expulsión del disco.
- Las partes impresas del disco podrían volverse pegajosas.

Lea atentamente las instrucciones o precauciones acerca de las etiquetas y de los discos que se pueden imprimir.

PRECAUCIONES:

- No inserte discos de 8 cm (3-3/16 pulgada) (CD simples) en la ranura de carga. (Estos tipos de discos no pueden ser expulsados).
- No inserte ningún disco cuya forma no sea la habitual—un corazón o una flor, por ejemplo, pues se producirá una avería.
- No exponga los discos a los rayos directos del sol ni a otra fuente de calor; ni los deje en sitios sujetos a temperatura y humedad elevadas. No los deje dentro del automóvil.
- No utilice ningún solvente (por ejemplo, limpiador de discos convencional, pulverizadores, diluyente, bencina, etc.) para limpiar los discos.

Disco curvado



Etiqueta



Resto de etiqueta

Disco



Etiqueta autoadhesiva

ESPECIFICACIONES

SECCION DEL AMPLIFICADOR DE AUDIO

Salida de potencia:
18 W RMS \times 4 canales a 4 Ω
 $\gamma \leq 1\%$ THD + N
Relación señal a ruido:
80 dBA (referencia: 1 W en 4 Ω)



Impedancia de carga:
4 Ω (tolerancia de 4 Ω a 8 Ω)
Gama de control de tonos:
Graves: ± 10 dB a 100 Hz
Agudos: ± 10 dB a 10 kHz
Respuesta de frecuencias: 40 Hz a 20 000 Hz
Nivel de salida de línea/Impedancia:
2,5 V/20 k Ω de carga (plena escala)
Impedancia de salida: 1 k Ω

SECCION DEL SINTONIZADOR

Gama de frecuencias:
FM: 87,5 MHz a 107,9 MHz
AM: 530 kHz a 1 710 kHz

[Sintonizador de FM]

Sensibilidad útil:
11,3 dBf (1,0 μ V/75 Ω)
Umbral de silenciamiento de 50 dB:
16,3 dBf (1,8 μ V/75 Ω)
Selectividad de canal alternativo (400 kHz):
65 dB
Respuesta de frecuencias: 40 Hz a 15 000 Hz
Separación estereofónica: 35 dB
Relación de captura: 1,5 dB

[Sintonizador de AM]

Sensibilidad: 20 μ V
Selectividad: 35 dB

SECCION DEL REPRODUCTOR DE CD

Tipo: Reproductor de discos compactos
Sistema de detección de la señal: Captor óptico sin contacto (láser de semiconductor)
Número de canales: 2 canales (estéreo)
Respuesta de frecuencia: 5 Hz a 20 000 Hz
Gama dinámica: 96 dB
Relación señal a ruido: 98 dB
Loro y trémolo: Inferior al límite medible

GENERALIDADES

Requisitos de potencia:
Voltaje de funcionamiento:
DC 14,4 V (tolerancia de 11 V a 16 V)
Sistema de puesta a tierra: Masa negativa
Temperatura de trabajo permisible:
0°C a +40°C (32°F a 104°F)
Dimensiones (An \times Al \times Pr):
Dimensiones de instalación (aprox.):
182 mm \times 52 mm \times 150 mm
(7-3/16 pulgada \times 2-1/16 pulgada \times 5-15/16 pulgada)
Dimensiones del panel (aprox.):
188 mm \times 58 mm \times 11 mm
(7-7/16 pulgada \times 2-5/16 pulgada \times 7/16 pulgada)
Peso (aprox.):
1,3 kg (2,9 lbs) (excluyendo accesorios)

El diseño y las especificaciones se encuentran sujetos a cambios sin previo aviso.

Si necesita un kit para su automóvil, busque en la guía telefónica la tienda que vende productos audio para automóviles más cercana.



**Having TROUBLE with operation?
Please reset your unit**

Refer to page of How to Reset
Still having trouble??

USA ONLY

Call 1-800-252-5722

<http://www.jvc.com>

We can help you!

JVC



JVC KD-AR260/KD-G210

Installation/Connection Manual

Manual de instalación/conexión

Manuel d'installation/raccordement

GET0246-002A
[J]

0904DTSINTJEIN
EN, SP, FR

ENGLISH

This unit is designed to operate on **12 V DC, NEGATIVE ground electrical systems**. If your vehicle does not have this system, a voltage inverter is required, which can be purchased at JVC car audio dealers.

ESPAÑOL

Esta unidad está diseñada para funcionar con **12 V de CC, con sistemas eléctricos de masa NEGATIVA**. Si su vehículo no posee este sistema, será necesario un inversor de tensión, que puede ser adquirido en los concesionarios de JVC de equipos de audio para automóviles.

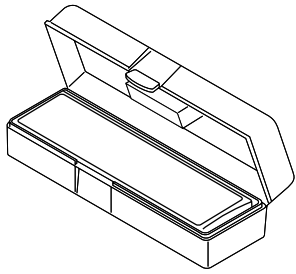
FRANÇAIS

Cet appareil est conçu pour fonctionner sur des sources de courant continu de **12 V à masse NEGATIVE**. Si votre véhicule n'offre pas ce type d'alimentation, il vous faut un convertisseur de tension, que vous pouvez acheter chez un revendeur d'autoradios JVC.

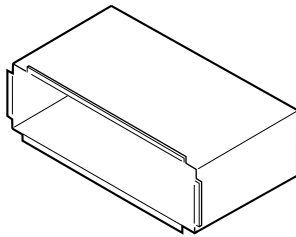
Parts list for installation and connection

The following parts are provided for this unit.
After checking them, please set them correctly.

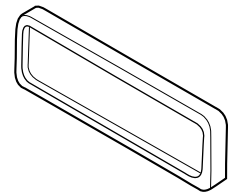
(A) / (B)
Hard case/Control panel
Estuche duro/Panel de control
Etui de transport/Panneau de commande



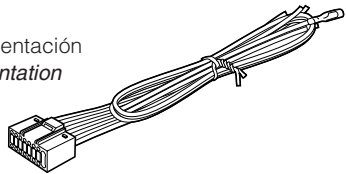
(C)
Sleeve
Cubierta
Manchon



(D)
Trim plate
Placa de guarnición
Plaque d'assemblage



(E)
Power cord
Cordón de alimentación
Cordon d'alimentation



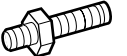
(F)
Washer (ø5)
Arandela (ø5)
Rondelle (ø5)



(G)
Lock nut (M5)
Tuerca de seguridad (M5)
Ecrou d'arrêt (M5)



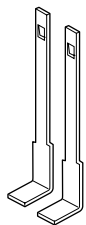
(H)
Mounting bolt (M5 x 20 mm)
Perno de montaje (M5 x 20 mm)
Boulon de montage (M5 x 20 mm)



(I)
Rubber cushion
Cojín de goma
Amortisseur en caoutchouc



(J)
Handles
Manijas
Poignées



(K)
Remote controller
Mando a distancia
Télécommande



(L)
Battery
Pila
Pile



CR2025

INSTALLATION (IN-DASH MOUNTING)

The following illustration shows a typical installation. If you have any questions or require information regarding installation kits, consult your JVC car audio dealer or a company supplying kits.

- If you are not sure how to install this unit correctly, have it installed by a qualified technician.

INSTALACION (MONTAJE EN EL TABLERO DE INSTRUMENTOS)

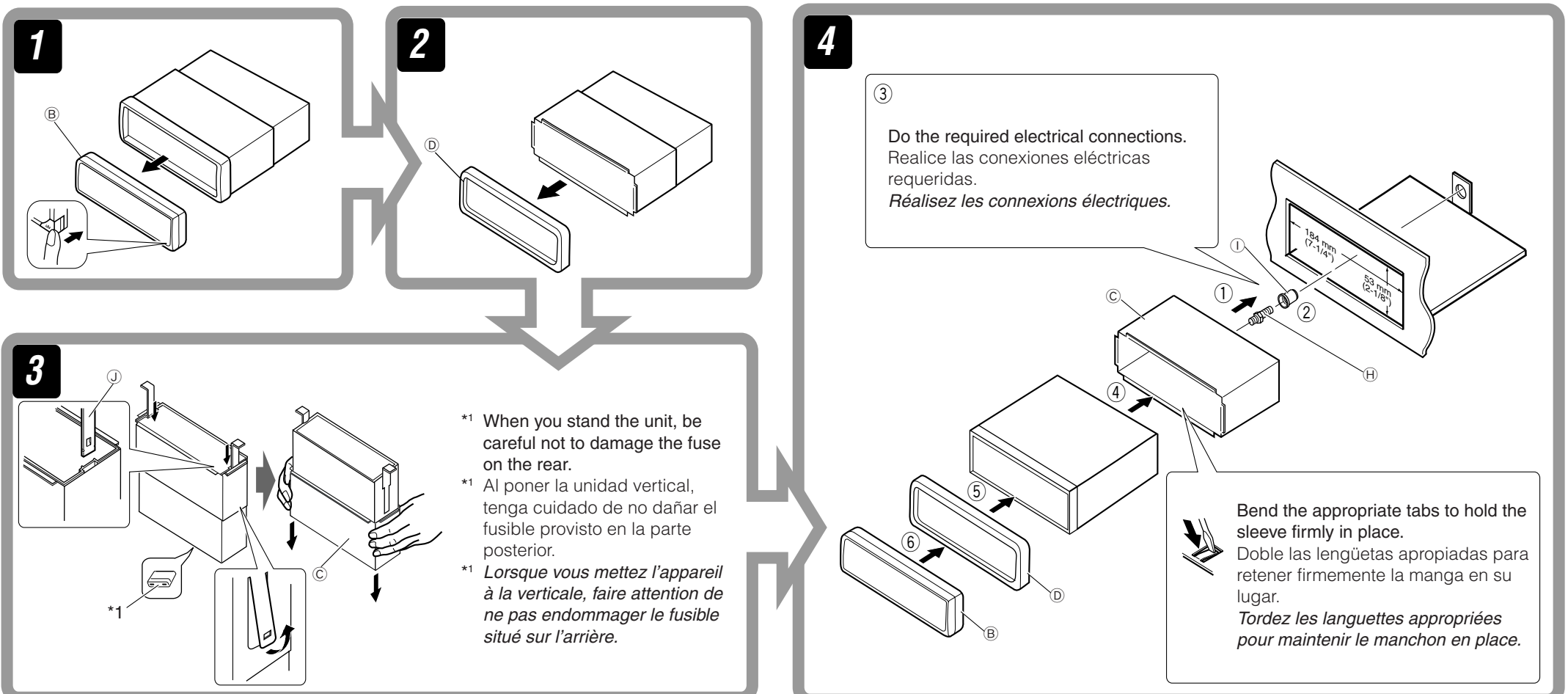
La siguiente ilustración muestra una instalación típica. Si tiene alguna pregunta o necesita información acerca de las herramientas para instalación, consulte con su concesionario de JVC de equipos de audio para automóviles o a una compañía que suministra tales herramientas.

- Si usted no está seguro de cómo instalar correctamente la unidad, hágala instalar por un técnico cualificado.

INSTALLATION (MONTAGE DANS LE TABLEAU DE BORD)

L'illustration suivante est un exemple d'installation typique. Si vous avez des questions ou avez besoin d'information sur des kits d'installation, consulter votre revendeur d'autoradios JVC ou une compagnie d'approvisionnement.

- Si l'on n'est pas sûr de pouvoir installer correctement cet appareil, le faire installer par un technicien qualifié.



Removing the unit

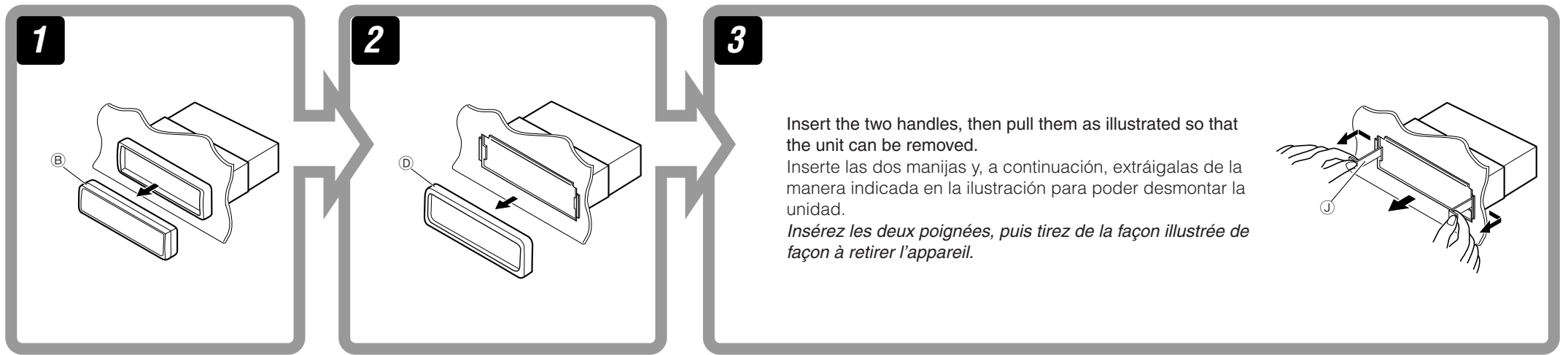
Before removing the unit, release the rear section.

Extracción de la unidad

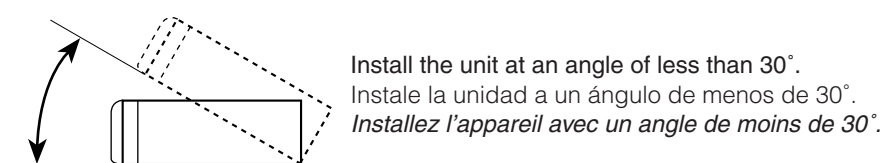
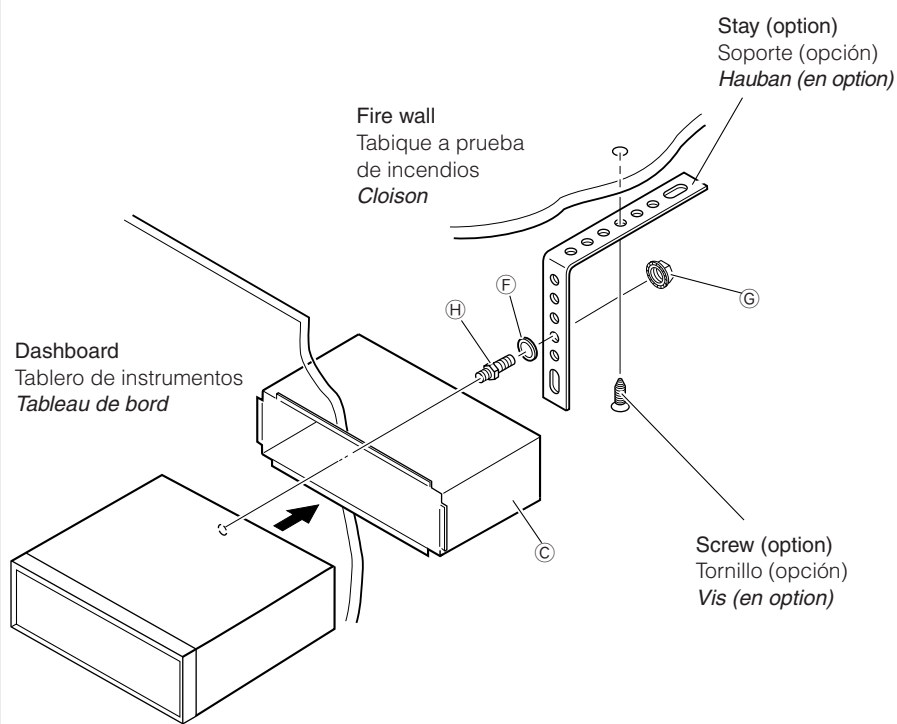
Antes de extraer la unidad, libere la sección trasera.

Retrait de l'appareil

Avant de retirer l'appareil, libérer la section arrière.



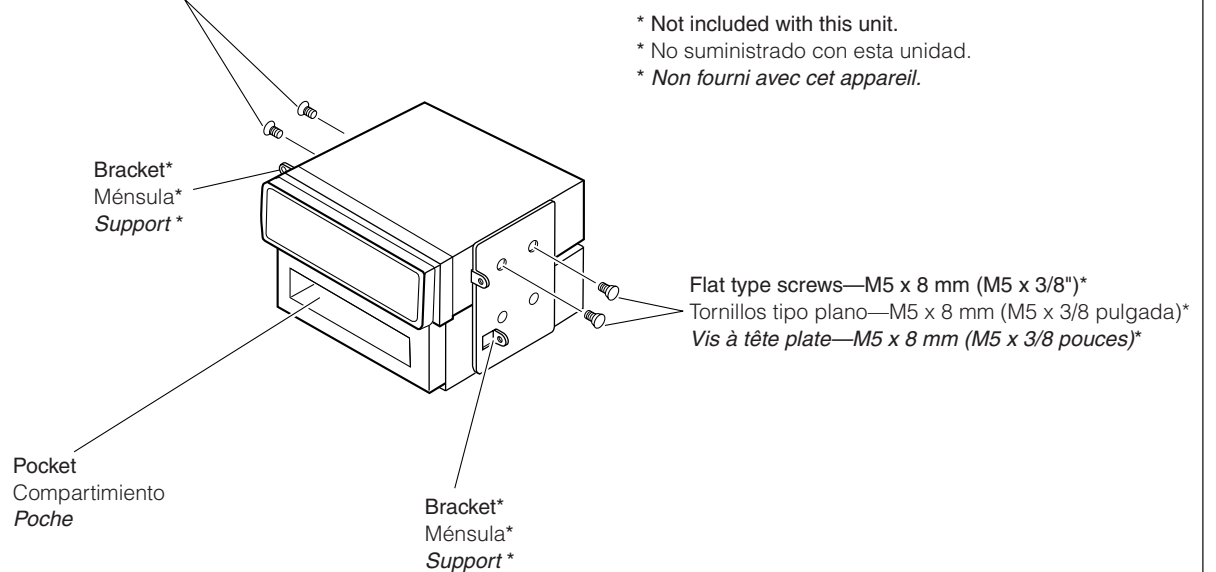
When using the optional stay / Cuando emplea un soporte opcional / Lors de l'utilisation du hauban en option



When installing the unit without using the sleeve / Instalación de la unidad sin utilizar la manga / Lors de l'installation de l'appareil sans utiliser de manchon

In a Toyota for example, first remove the car radio and install the unit in its place.
En un Toyota por ejemplo, primero retire la radio del automóvil y luego instale la unidad en su lugar.
Par exemple dans une Toyota, retirer d'abord l'autoradio et installer l'appareil à la place.

Flat type screws—M5 x 8 mm (M5 x 3/8")*
Tornillos tipo plano—M5 x 8 mm (M5 x 3/8 pulgada)*
Vis à tête plate—M5 x 8 mm (M5 x 3/8 pouces)*



* Not included with this unit.
* No suministrado con esta unidad.
* Non fourni avec cet appareil.

Note : When installing the unit on the mounting bracket, make sure to use the 8 mm (3/8")-long screws. If longer screws are used, they could damage the unit.
Nota : Cuando instala la unidad en la ménsula de montaje, asegúrese de utilizar los tornillos de 8 mm (3/8 pulgada) de longitud. Si se utilizan tornillos más largos, éstos pueden dañar la unidad.
Remarque : Lors de l'installation de l'appareil sur le support de montage, s'assurer d'utiliser des vis d'une longueur de 8 mm (3/8 pouces). Si des vis plus longues sont utilisées, elles peuvent endommager l'appareil.

TROUBLESHOOTING

- **The fuse blows.**
* Are the red and black leads connected correctly?
- **Power cannot be turned on.**
* Is the yellow lead connected?
- **No sound from the speakers.**
* Is the speaker output lead short-circuited?
- **Sound is distorted.**
* Is the speaker output lead grounded?
* Are the “-” terminals of L and R speakers grounded in common?
- **Noise interfere with sounds.**
* Is the rear ground terminal connected to the car's chassis using shorter and thicker cords?
- **Unit becomes hot.**
* Is the speaker output lead grounded?
* Are the “-” terminals of L and R speakers grounded in common?
- **This receiver does not work at all.**
* Have you reset your receiver?

LOCALIZACION DE AVERIAS

- **El fusible se quema.**
* ¿Están los conductores rojo y negro correctamente conectados?
- **No es posible conectar la alimentación.**
* ¿Está el cable amarillo conectado?
- **No sale sonido de los altavoces.**
* ¿Está el cable de salida del altavoz cortocircuitado?
- **El sonido presenta distorsión.**
* ¿Está el cable de salida del altavoz conectado a masa?
* ¿Están los terminales “-” de los altavoces L y R conectados a una masa común?
- **Perturbación de ruido.**
* ¿El terminal de tierra trasero está conectado al chasis del automóvil utilizando los cordones más corto y más grueso?
- **La unidad se calienta.**
* ¿Está el cable de salida del altavoz conectado a masa?
* ¿Están los terminales “-” de los altavoces L y R conectados a una masa común?
- **Este receptor no funciona en absoluto.**
* ¿Reinicializó el receptor?

EN CAS DE DIFFICULTES

- **Le fusible saute.**
* Les fils rouge et noir sont-ils raccordés correctement?
- **L'appareil ne peut pas être mise sous tension.**
* Le fil jaune est-elle raccordée?
- **Pas de son des enceintes.**
* Le fil de sortie d'enceinte est-il court-circuité?
- **Le son est déformé.**
* Le fil de sortie d'enceinte est-il à la masse?
* Les bornes “-” des enceintes gauche et droit sont-elles mises ensemble à la masse?
- **Interférence avec les sons.**
* La prise arrière de mise à la terre est-elle connectée au châssis de la voiture avec un cordon court et épais?
- **L'appareil devient chaud.**
* Le fil de sortie d'enceinte est-il à la masse?
* Les bornes “-” des enceintes gauche et droit sont-elles mises ensemble à la masse?
- **Cet appareil ne fonctionne pas du tout.**
* Avez-vous réinitialisé votre appareil?

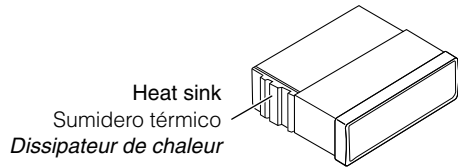
ELECTRICAL CONNECTIONS

To prevent short circuits, we recommend that you disconnect the battery's negative terminal and make all electrical connections before installing the unit.

- **Be sure to ground this unit to the car's chassis again after installation.**

Notes:

- Replace the fuse with one of the specified rating. If the fuse blows frequently, consult your JVC car audio dealer.
- It is recommended to connect to the speakers with maximum power of more than 50 W (both at the rear and at the front, with an impedance of 4 Ω to 8 Ω). If the maximum power is less than 50 W, change "AMP GAIN" setting to prevent the speakers from being damaged (see page 19 of the INSTRUCTIONS).
- To prevent short-circuit, cover the terminals of the UNUSED leads with insulating tape.
- The heat sink becomes very hot after use. Be careful not to touch it when removing this unit.



CONEXIONES ELECTRICAS

Para evitar cortocircuitos, recomendamos que desconecte el terminal negativo de la batería y que efectúe todas las conexiones eléctricas antes de instalar la unidad.

- **Asegúrese de volver a conectar a masa esta unidad al chasis del automóvil después de la instalación.**

Notas:

- Reemplace el fusible por uno con la corriente especificada. Si el fusible se quemase frecuentemente consulte con su concesionario de JVC de equipos de audio para automóviles.
- Se recomienda conectar los altavoces con una potencia máxima de más de 50 W (tanto atrás como adelante, con una impedancia de 4 Ω a 8 Ω). Si la potencia máxima es de menos de 50 W, cambie "AMP GAIN" para evitar daños en los altavoces (consulte la página 19 del MANUAL DE INSTRUCCIONES).
- Para evitar cortocircuitos, cubra los cables NO UTILIZADOS con cinta aislante.
- El sumidero térmico estará muy caliente después del uso. Asegúrese de no tocarlo al desmontar esta unidad.

RACCORDEMENTS ELECTRIQUES

Pour éviter tout court-circuit, nous vous recommandons de débrancher la borne négative de la batterie et d'effectuer tous les raccordements électriques avant d'installer l'appareil.

- **Assurez-vous de raccorder de nouveau la mise à la masse de cet appareil au châssis de la voiture après l'installation.**

Remarques:

- Remplacer le fusible par un de la valeur précisée. Si le fusible saute souvent, consulter votre revendeur d'autoradios JVC.
- Il est recommandé de connecter des enceintes avec une puissance de plus de 50 W (les enceintes arrière et les enceintes avant, avec une impédance comprise entre 4 Ω et 8 Ω). Si la puissance maximum est inférieure à 50 W, changez "AMP GAIN" pour éviter d'endommager vos enceintes (voir page 19 du MANUEL D'INSTRUCTIONS).
- Pour éviter les court-circuits, couvrir les bornes des fils qui ne sont PAS UTILISÉS avec de la bande isolante.
- Le dissipateur de chaleur devient très chaud après usage. Faire attention de ne pas le toucher en retirant cet appareil.

A Typical Connections / Conexiones típicas / Raccordements typiques

Before connecting: Check the wiring in the vehicle carefully. Incorrect connection may cause serious damage to this unit. The leads of the power cord and those of the connector from the car body may be different in color.

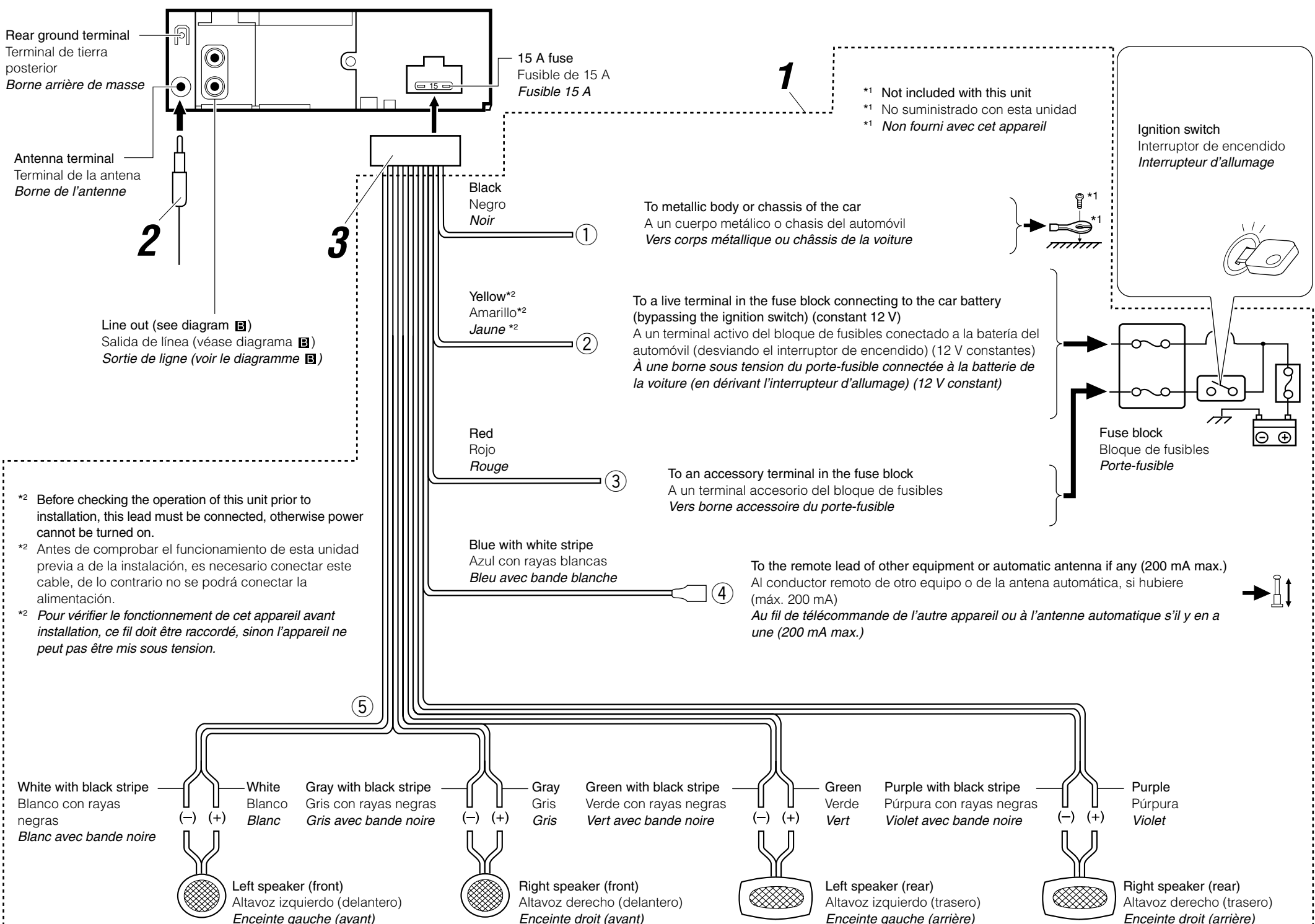
- 1 Connect the colored leads of the power cord in the order specified in the illustration below.
- 2 Connect the antenna cord.
- 3 Finally connect the wiring harness to the unit.

Antes de la conexión: Verifique atentamente el conexionado del vehículo. Una conexión incorrecta podría producir daños graves en la unidad. Los cordones del cable de alimentación y los del conector procedentes de la carrocería del automóvil podrían ser de diferentes en color.

- 1 Conecte los conductores de color del cable de alimentación en el orden especificado en la ilustración de abajo.
- 2 Conecte el cable de antena.
- 3 Por último, conecte el cable de alimentación a la unidad.

Avant de commencer la connexion: Vérifiez attentivement le câblage du véhicule. Une connexion incorrecte peut endommager sérieusement l'appareil. Le fil du cordon d'alimentation et ceux des connecteurs du châssis de la voiture peuvent être différents en couleur.

- 1 Connectez les fils colorés du cordon d'alimentation dans l'ordre spécifié sur l'illustration ci-dessous.
- 2 Connectez le cordon d'antenne.
- 3 Finalement, connectez le faisceau de fils à l'appareil.



Amplifier / Amplificador / Amplificateur

You can connect an amplifier to upgrade your car stereo system.

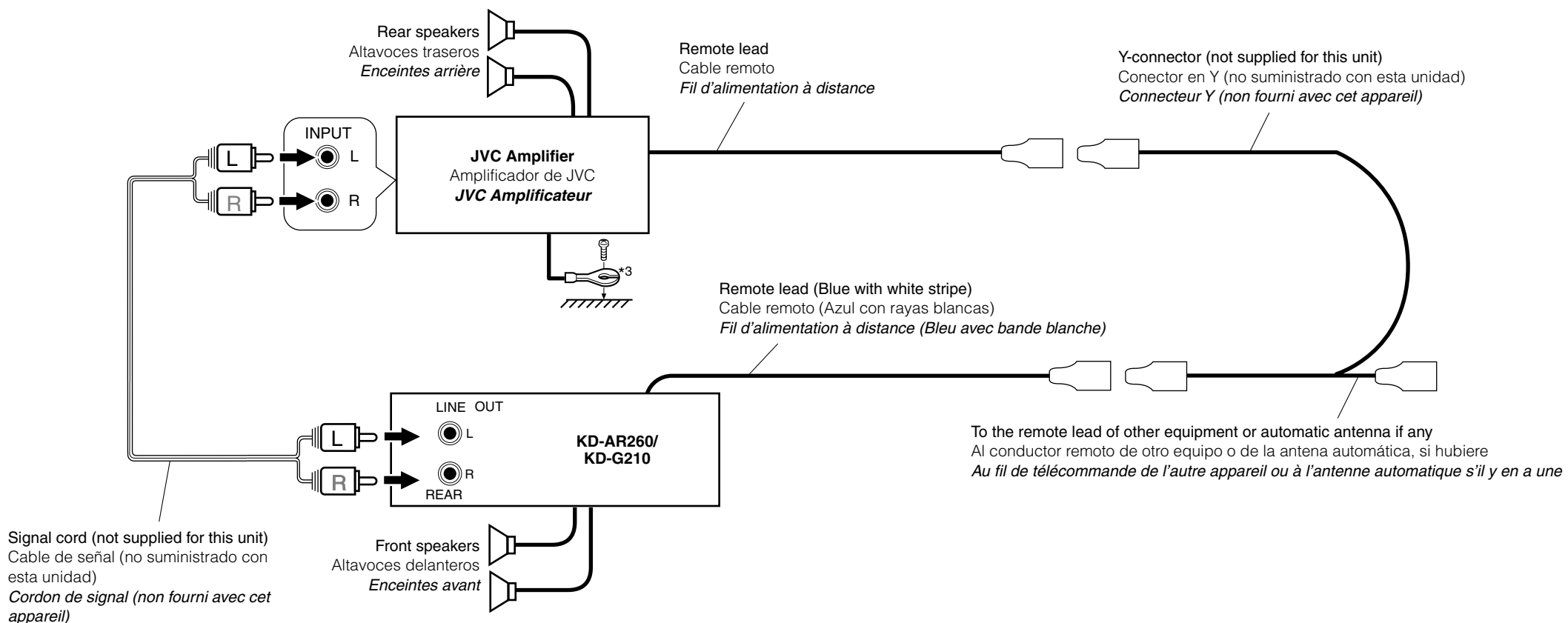
- Connect the remote lead (blue with white stripe) to the remote lead of the other equipment so that it can be controlled through this unit.
- **Disconnect the speakers from this unit, connect them to the amplifier. Leave the speaker leads of this unit unused.**

Usted podrá conectar un amplificador para mejorar el sistema estéreo de su automóvil.

- Conecte el conductor remoto (azul con rayas blancas) al conductor remoto del otro equipo para poderlo controlar a través de esta unidad.
- **Desconecte los altavoces de esta unidad y conéctelos al amplificador. Los cables de los altavoces de esta unidad quedan sin usar.**

Vous pouvez connecter un amplificateur pour améliorer votre système autoradio.

- Connectez le fil de commande à distance (bleu avec bande blanche) au fil de commande à distance de l'autre appareil de façon qu'il puisse être commandé via cet appareil.
- **Déconnectez les enceintes de cet appareil et connectez-les à l'amplificateur. Laissez les fils d'enceintes de cet appareil inutilisés.**



*3 Firmly attach the ground wire to the metallic body or to the chassis of the car—to the place not coated with paint (if coated with paint, remove the paint before attaching the wire). Failure to do so may cause damage to the unit.

*3 Fije firmemente el cable de tierra a la carrocería metálica o al chasis—a un lugar no cubierto con pintura (si está cubierto con pintura, quítela antes de fijar el cable). De lo contrario, se podrían producir daños en la unidad.

*3 Attachez solidement le fil de mise à la masse au châssis métallique de la voiture—à un endroit qui n'est pas recouvert de peinture (s'il est recouvert de peinture, enlevez d'abord la peinture avant d'attacher le fil). L'appareil peut être endommagé si cela n'est pas fait correctement.

PRECAUTIONS on power supply and speaker connections:

- **DO NOT** connect the speaker leads of the power cord to the car battery; otherwise, the unit will be seriously damaged.
- **BEFORE** connecting the speaker leads of the power cord to the speakers, check the speaker wiring in your car.

PRECAUCIONES sobre las conexiones de la fuente de alimentación y de los altavoces:

- **NO** conecte los conductores de altavoz del cable de alimentación a la batería de automóvil, pues podrían producirse graves daños en la unidad.
- **ANTES** de conectar a los altavoces los conductores de altavoz del cable de alimentación, verifique el conexionado de altavoz de su automóvil.

PRECAUTIONS sur l'alimentation et la connexion des enceintes:

- **NE CONNECTEZ PAS** les fils d'enceintes du cordon d'alimentation à la batterie; sinon, l'appareil serait sérieusement endommagé.
- **AVANT** de connecter les fils d'enceintes du cordon d'alimentation aux enceintes, vérifiez le câblage des enceintes de votre voiture.

